

MULTIVIA[®]

Cable tray systems

VIA TEC

Sheet steel cable tray



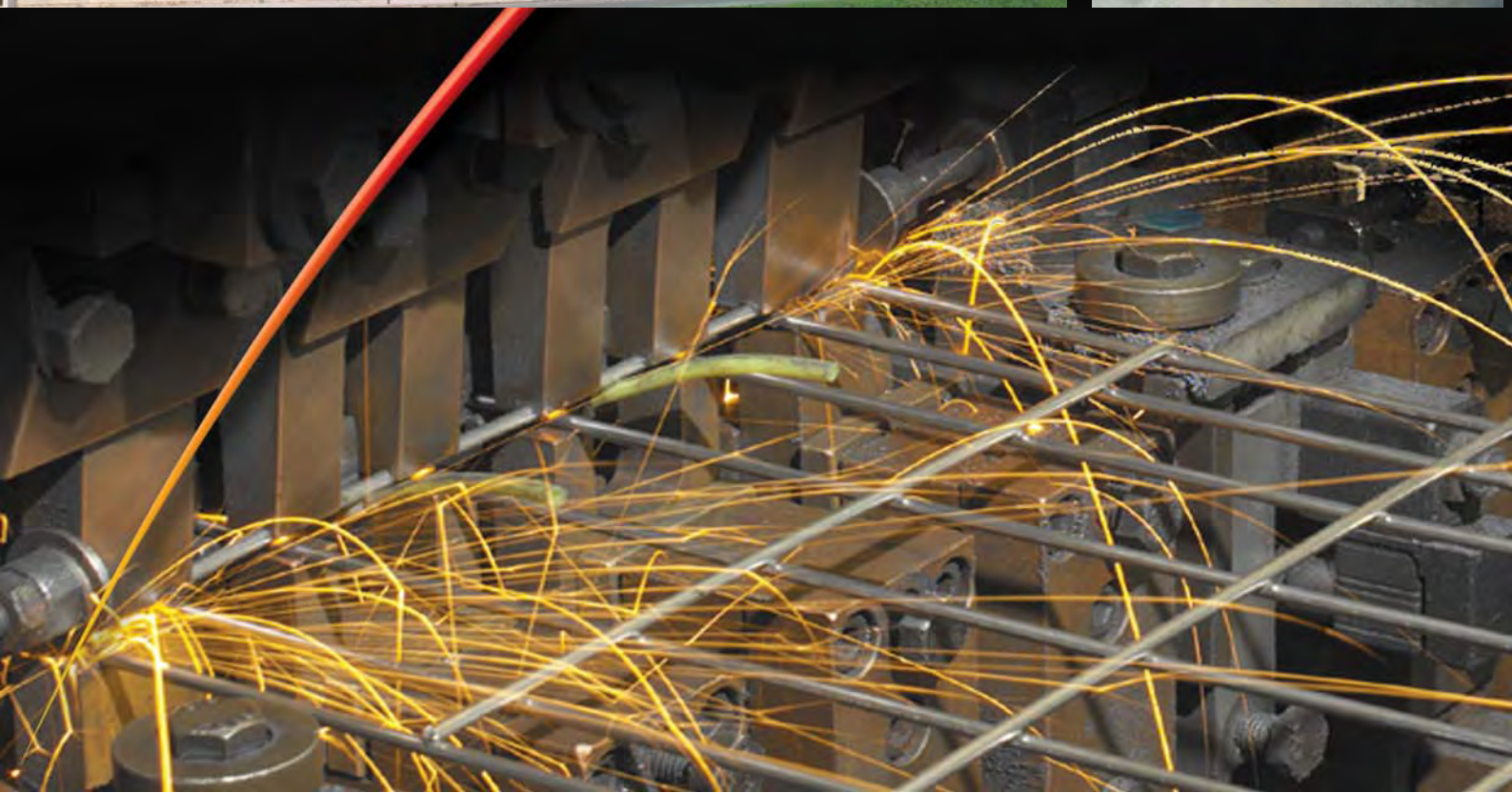
VIA FIL

Wire-mesh cable tray



For more than 40 years, in INTERFLEX, S.A. we have always been specialists in the protection and management of electrical cables, achieving a solid reputation in quality and service.

With this catalogue we present our new program of **MULTIVIA**[®] cable trays, complete and competitive, produced with highly advanced technology recently introduced that allows us to offer a modern and competitive cable tray range that will contribute to the satisfaction of our costumers.



The new self-coupling **VIA TEC** sheet steel cable tray and its accessories are the result of our commitment to continuous improvement. We have intensely worked in its development to endow it with numerous details that turn it into one of the most innovative cable trays of the market.

We present as well new supporting elements for medium loads and fixation elements to inclined ceilings.

All these added value solutions are the consequence of the constant work of our R+D and Quality Departments. In order to guarantee the global quality, **INTERFLEX** is certified in accordance to ISO 9001: 2000 standard.



Also, in our 5000 m² totally automated new facilities, we have all the resources to guarantee the highest efficiency and speed of delivery.

We have also extended our **VIA FIL** wire-mesh cable tray program with the new "INSTA-FIX" accessories. As cable trays can be installed onto these without the use of any tool, they offer a great advantage to those companies that give priority to time saving.



We are grateful for the trust that day by day you place in our products and our organization.

INTERFLEX, S.A.



MULTIVIA®

MULTIVIA®

VIAFIL

Wire-mesh cable tray

Highest ventilation

The wire-mesh structure makes it ideal for conductors needing dissipation of temperature.

Highest safety

Rounded edges to avoid injury during installation.



Highest finish alternatives

- Ecologic Z3 electroplating
- Hot dip galvanized
- Stainless steel



Highest conformation

Just using a cutting tool the cable tray can be modified to form all type of bendings, reductions, unions,...

All accessories and complements of the system comply with our two basic premises:
Safety for installers and conductors and Easiness of installation.

Multiadvantages cable trays



Self coupling sheet steel cable tray

Highest speed

Self-coupling ends allow a quick and easy installation.

Highest protection

Rounded and closed edges for the complete protection of the installers and the conductors.

Highest versatility

Multiple holes for ventilation and fastening of the conductors.

Central holes for fixing suspensory elements.

Highest ease of fixation

A great number of holes on the whole length of the cable tray ensure the coincidence with the ones of the supports.

Lateral holes for coupling elements and conduction accessories.

Highest care

A rounded protection at the base of the cable tray protects the cables from shipping while pulling.

Highest comfort

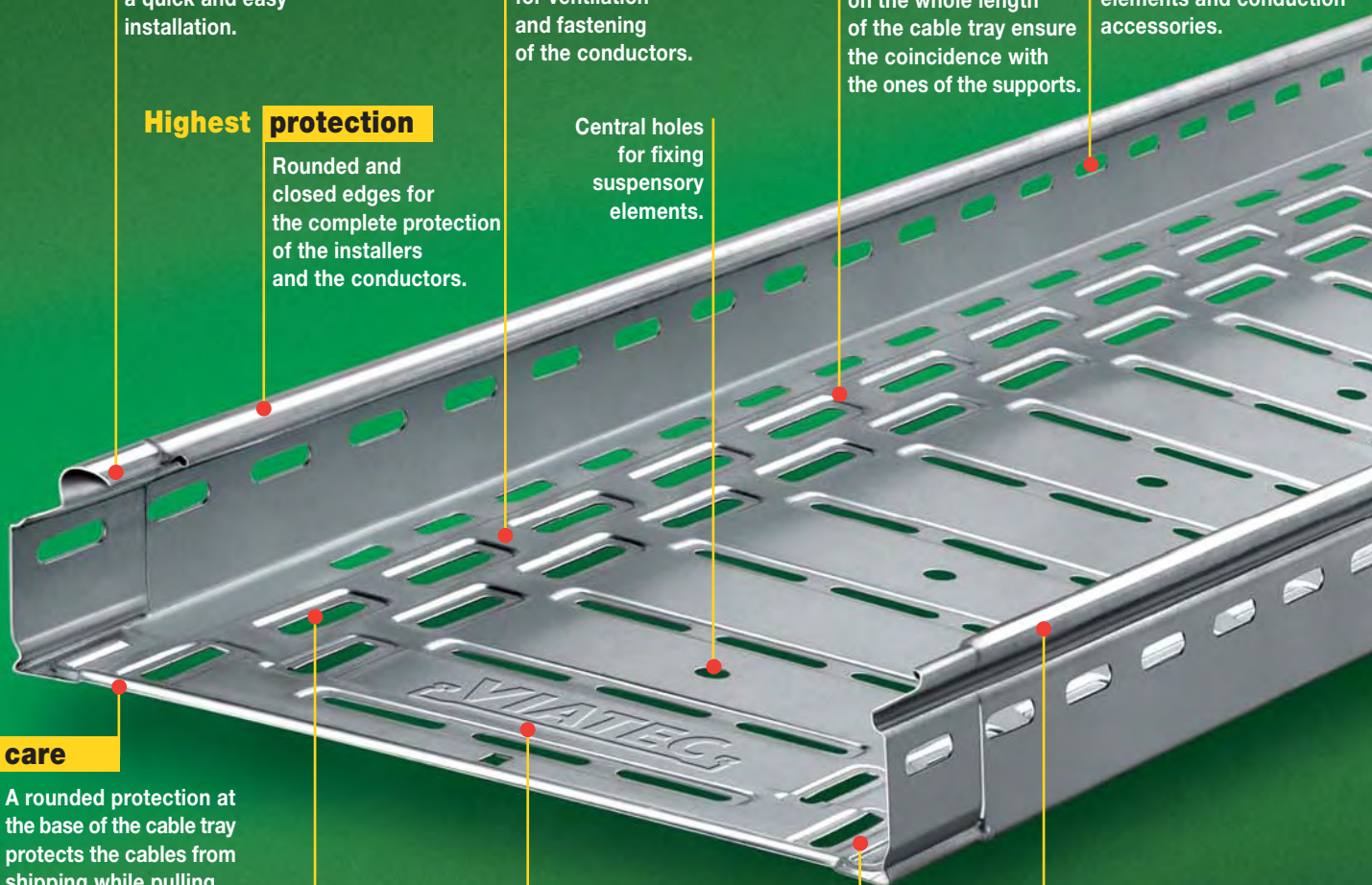
Inlaid fitters to hide the bolts and guarantee a good traction and distribution of the conductors.

Highest guarantee

Cable tray and accessories identified with our tradenames.

Highest strength

Reinforced base and wings with longitudinal and traverse profiles that enable the fixation of the cover without accessories.



MULTIVIA[®]
Cable tray systems with the highest advantages



In the heart of all type of installations

MULTIVIA provides the highest advantages in safety, resistance, versatility and easyness of installations as it incorporates the highest levels of technology and quality.

Our whole range of cable trays, accessories, supports and complements offer the maximum guarantee to cover the requirements of the sector.

Thanks to this, we are present in the heart of all type of installations.



MULTIVIA®

Cable tray systems

Wire-mesh VIAFIL cable tray

| | |
|--|----|
| New VIAFIL ecologic Z3 coating | 8 |
| System overview | 10 |
| Wire mesh VIAFIL cable tray side 30 | 12 |
| Wire mesh VIAFIL cable tray side 60 | 13 |
| Wire mesh VIAFIL cable tray side 110 | 14 |

Complements and accessories

| | |
|--|----|
| Cable tray cover | 15 |
| VIAFIL Dividing strip | |
| Multipurpose coupler | 16 |
| Side coupler for 60 & 110 mm | |
| INSTA-FIX Side coupler | 17 |
| INSTA-FIX Central coupler | |
| INSTA-FIX Conduit exit | |
| Multipurpose straight coupler | 18 |
| VIAFIL Fixation clamp to support | |
| Dividing strip fixation clamp for VIAFIL | |
| Bolts & toothed locknuts | 19 |
| Grounding clamp | |
| Heavy duty mesh cutter | |

Conformation and assembly examples

| | |
|------------------------|----|
| 90° Angle | 20 |
| 90° Curved elbow | 22 |
| Level change | 23 |
| Derivation | 24 |
| Reduction | 25 |

Supports and supporting elements

| | |
|--|----|
| INSTA -FIX support for 60 x 60 VIAFIL | 26 |
| Central suspension clamp for VIAFIL | |
| Telerail for trapeze suspension | |
| INSTA -FIX support for trapeze suspension | 27 |
| Threaded hanging rod | 28 |
| Toothed locknut | |
| Ceiling fixation | |
| Horizontal fastening clip | 29 |
| Vertical fastening clip | |
| Fixing clamp for steel grider | |
| INSTA -FIX Multipurpose support | 30 |
| Distancing support | 31 |
| Wall or hanging profile "Omega" support | 32 |
| "Omega" profile ceiling support | |
| "Omega" profile for trapeze suspension | |
| "Omega" hanging profile | 33 |
| Shim for "Omega" profile | |
| INSTA -FIX support for wall or "C" profile | 34 |
| INSTA -FIX support for wall or "C" profile | 36 |
| Support for wall or "C" profile | 38 |
| Support for wall or "C" profile | 40 |
| "C21" Profile | 42 |
| "C21" Profile with head plate | |
| Double "C21" profile with head plate | 43 |
| Guided locknut for "C" profiles | |
| Hexagonal bolt for guided locknut | |
| "C41" Profile | 44 |
| Head plate for "C" profile | |
| Head plate for "C41" profile | |
| Guided locknut for "C" profile | 45 |
| Bolt with hexagonal head | |
| Bolt with hexagonal head for "C41" profile | |
| Toothed locknut for "C41" profile | |

Sheet steel VIATEC cable tray

| | |
|--|----|
| System overview | 46 |
| Perforated VIATEC cable tray side 35 | 48 |
| Perforated VIATEC cable tray side 60 | 49 |
| Perforated VIATEC cable tray side 85 | 50 |
| Perforated VIATEC cable tray side 110 | 51 |
| Solid bottom VIATEC cable tray side 60 | 52 |
| Solid bottom VIATEC cable tray side 85 | 53 |
| Solid bottom VIATEC cable tray side 110 | 54 |
| Bottom perforation pattern | 55 |

Complements and accessories

| | |
|-------------------------------------|----|
| Cable tray cover | 56 |
| Self coupling VIATEC dividing strip | |
| Lateral bendable coupler | 57 |

VIATEC cable tray for illumination and complements

| | |
|---|----|
| Perforated cable tray | 58 |
| Solid bottom cable tray | |
| Cable tray cover | |
| Side 55 coupler | |
| Multipurpose support for 55x60 cable tray | |

Complements

| | |
|--------------------------------|----|
| 45° Elbow | 60 |
| 45° Elbow cover | 61 |
| 90° Elbow | 62 |
| 90° Elbow cover | 63 |
| 90° Inside bend | 64 |
| 90° Inside bend cover | 65 |
| 90° Outside bend | 66 |
| 90° Outside bend cover | 67 |
| Derivation | 68 |
| Derivation cover | 69 |
| Reduction or end piece | 70 |
| Bolts & toothed locknuts | 71 |
| Ground connection for VIATEC | |

Supports and supporting elements

| | |
|--|----|
| Distancing support | 72 |
| “Omega” profile bracket | 74 |
| “Omega” profile ceiling support | |
| “Omega” profile for trapeze suspension | |
| “Omega” hanging profile | 75 |
| Shim for “Omega” profile | |
| Support for wall or “C” profile | 76 |
| Support for wall or “C” profile | 78 |
| “C21” Profile | 80 |
| “C21” Profile with head plate | |
| Double “C21” profile with head plate | 81 |
| Guided locknut for “C” profile | |
| Hexagonal bolt for guided locknut | |
| “C41” Profile | 82 |
| Head plate for “C” profile | |
| Head plate for “C41” profile | |
| Guided locknut for “C” profile | 83 |
| Bolt with hexagonal head | |
| Bolt with hexagonal head for “C41” profile | |
| Toothed locknut for “C41” profile | |

General technical information

| | |
|---|----|
| Cable tray installation recommendations | |
| Steel protection against corrosion | 84 |
| Load capacity diagrams | |
| Selecting the appropriate cable tray | 85 |
| Electrical continuity and ground connection | 86 |

VIAFIL



Now with the

**Environmentally friendly:
non-pollutant according to
RoHS Directive.**

Maximum resistance to corrosion.

In accordance with European Directive 2002/95/CE (RoHS) and the later modifications 2005/717/CE and 2005/747/CE, the use of dangerous substances, such as hexavalent chrome (Cr^{6+}) is forbidden. That means that hexavalent chrome, that had previously been used in the passivating of the zinc coating for cable trays protection against corrosion, has to be replaced for another non-polluting material.

INTERFLEX S.A. has decided to use trivalent chrome (Cr^{3+}) instead, a product that allows a high degree of protection and presents a silver finish that differentiates it from the bright yellow colour of hexavalent chrome. In spite of the fact that trivalent chrome can be dyed with the use of colourings, this does not improve the resistance to corrosion and can cause confusion to the user, favours pollution and fades with time.

These are the reasons why the car industry, pioneer in labour and environmental safety, has declined the use of colourings in the passivating of the electrozincated products it uses.

MULTIVIA[®]

new Z3

The superior coating

+ environmentally friendly

This new treatment with trivalent chrome (Cr^{3+}) will replace at the same time the hexavalent bichromated zinc plating (Z) and the zinc plating (ZP) finishes.

The new Z3 is environmentally friendly and non-pollutant, fulfilling INTERFLEX S.A.'s commitment in contributing to the environmental protection.

+ resistant

This new Z3 treatment has an equivalent protection against white corrosion appearance as the old hexavalent bichromated zinc plating (Z) finish and has a much greater protection against white corrosion than the zinc plating (ZP).

+ rational

The use of a unique coating (Z3) instead of the two previous ones (Z and ZP), allows a stock reduction for both our customers and installers, providing less occupied space and better service.

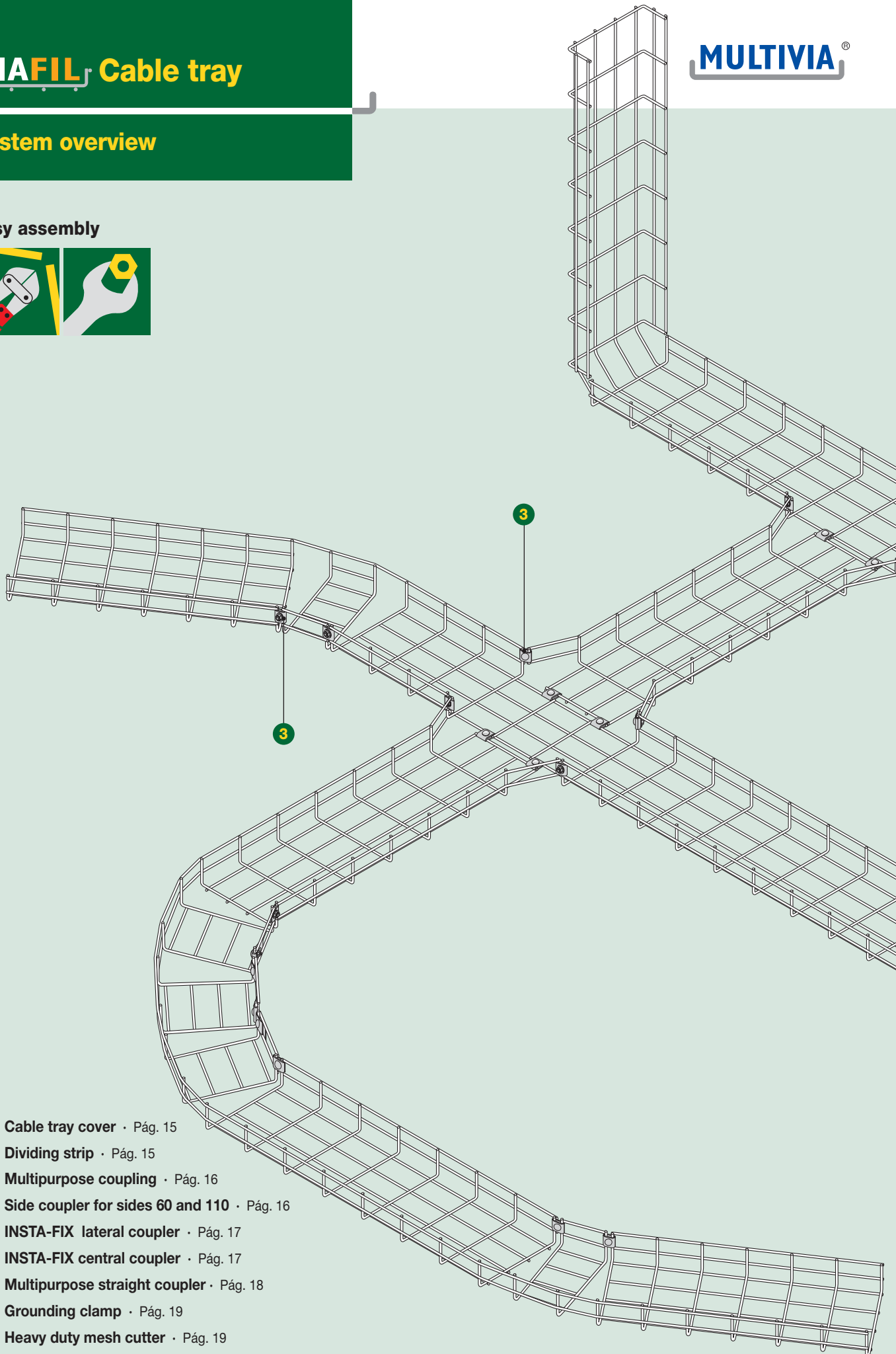
In short, with the new Z3 coating, **VIAFIL MULTIVIA** cable tray follows once again the main trend in the European market.

Follow us!



System overview

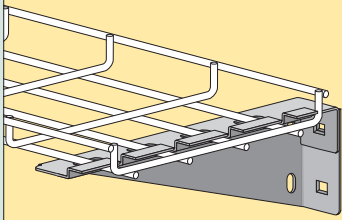
Easy assembly



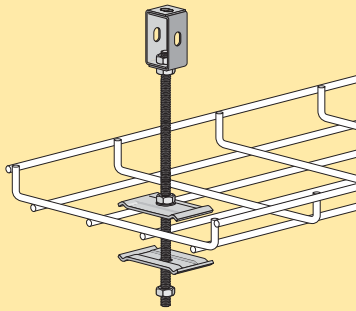
- 1 Cable tray cover · Pág. 15
- 2 Dividing strip · Pág. 15
- 3 Multipurpose coupling · Pág. 16
- 4 Side coupler for sides 60 and 110 · Pág. 16
- 5 INSTA-FIX lateral coupler · Pág. 17
- 6 INSTA-FIX central coupler · Pág. 17
- 7 Multipurpose straight coupler · Pág. 18
- 8 Grounding clamp · Pág. 19
- 9 Heavy duty mesh cutter · Pág. 19

A wide range of supporting elements

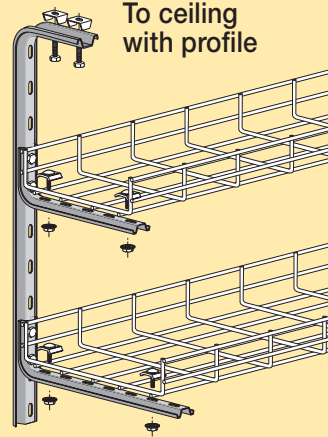
To wall



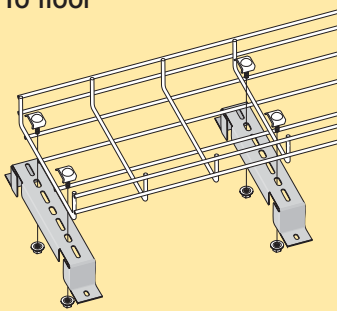
To ceiling with rod



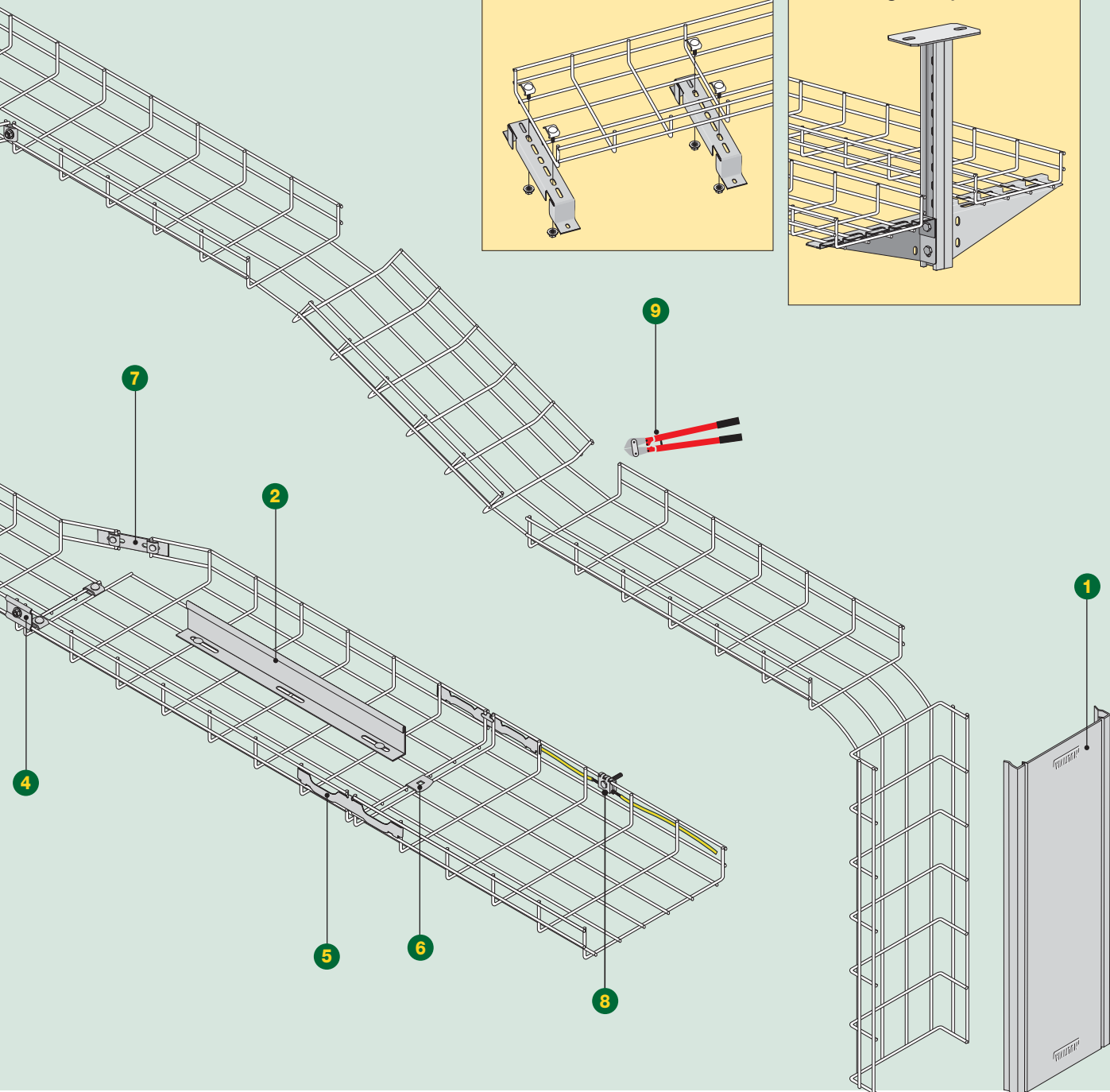
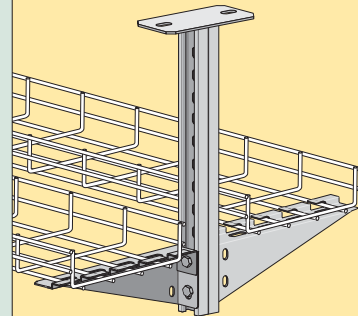
To ceiling with profile



To floor



To ceiling with profile

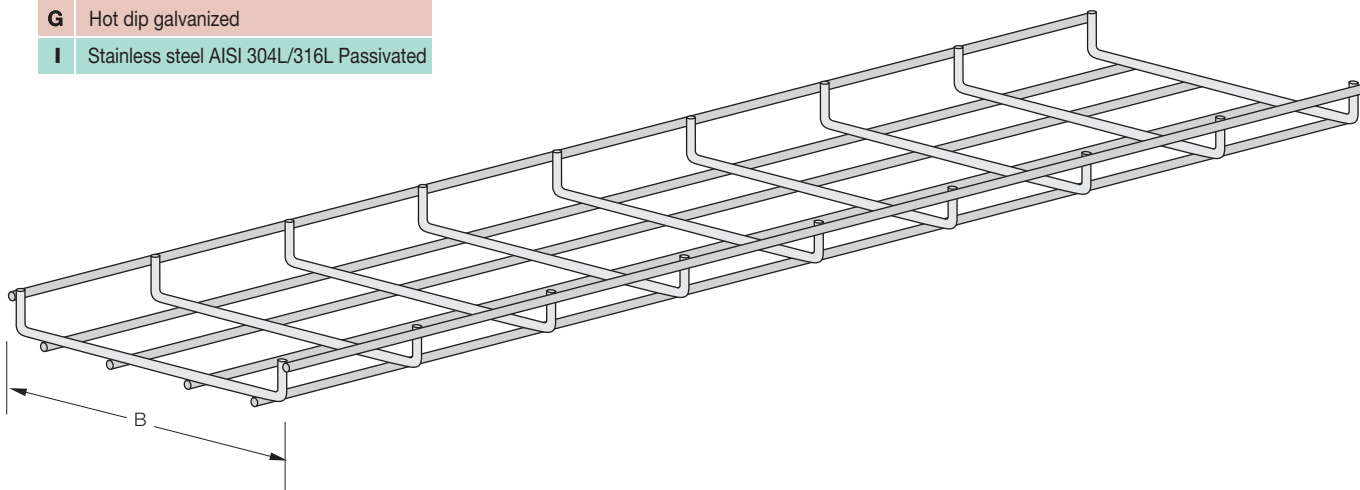


Electro-welded steel wire-mesh cable tray

Length 3 m

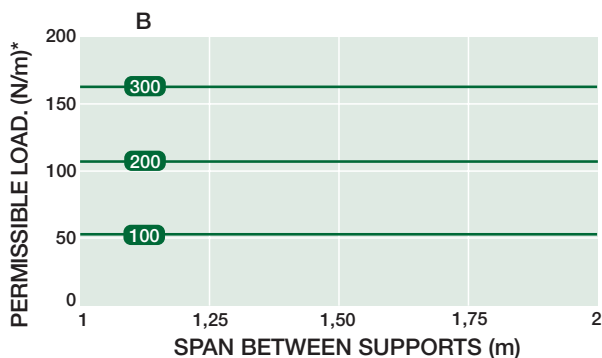
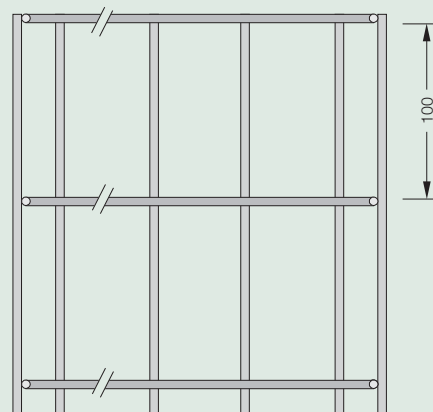
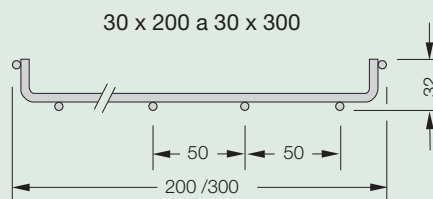
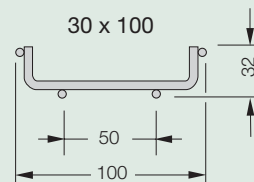
Coatings:

| | |
|-----------|---|
| Z3 | Ecologic zinc plating |
| G | Hot dip galvanized |
| I | Stainless steel AISI 304L/316L Passivated |



| Reference | B | Weight kg/m | Useful cross section mm ² | m/pack |
|----------------|-----|-------------|--------------------------------------|--------|
| R0310Z3 | 100 | 0,65 | 1930 | 24 |
| R0320Z3 | 200 | 1,01 | 4230 | 18 |
| R0330Z3 | 300 | 1,38 | 6530 | 18 |
| R0310G | 100 | 0,75 | 1930 | 24 |
| R0320G | 200 | 1,16 | 4230 | 18 |
| R0330G | 300 | 1,59 | 6530 | 18 |
| R0310I | 100 | 0,65 | 1930 | 24 |
| R0320I | 200 | 1,01 | 4230 | 18 |
| R0330I | 300 | 1,38 | 6530 | 18 |

Cable tray sections:



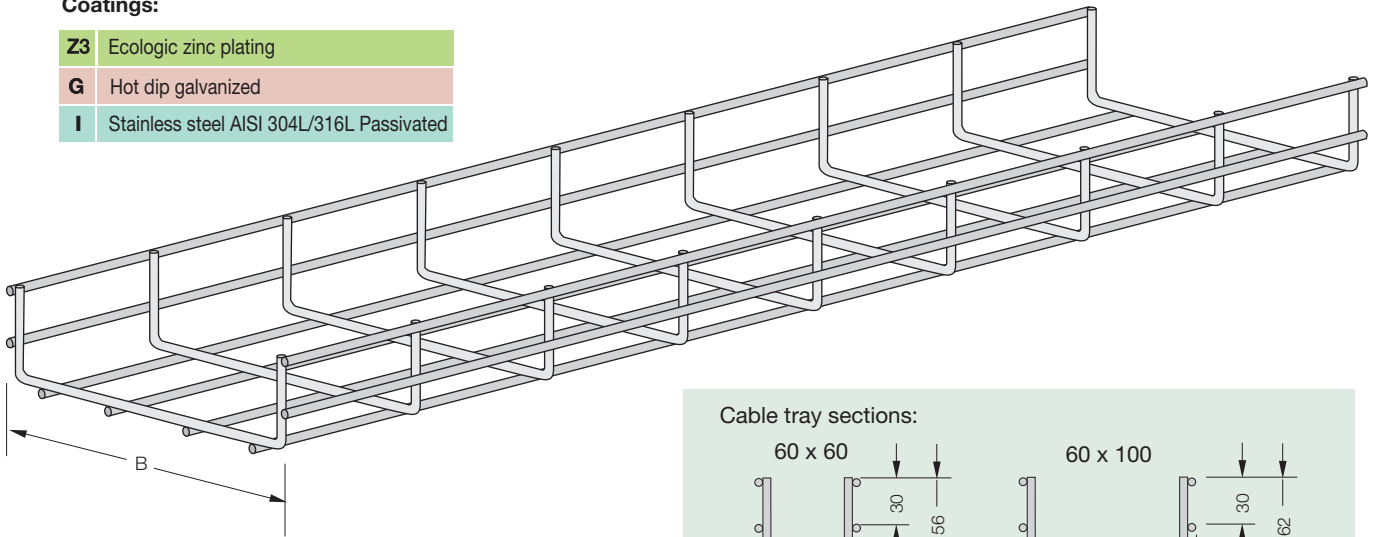
* Values obtained using UUR.. couplers on sides and bottom.

Electro-welded steel wire-mesh cable tray

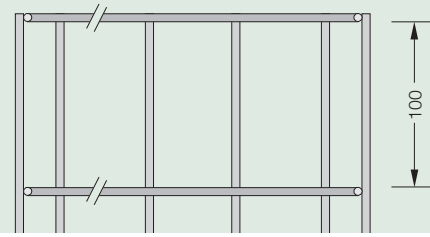
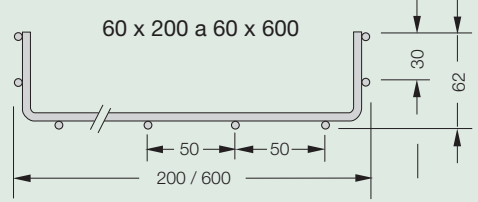
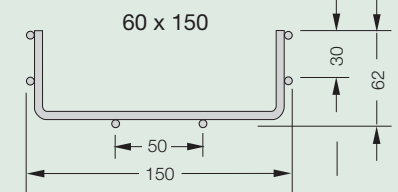
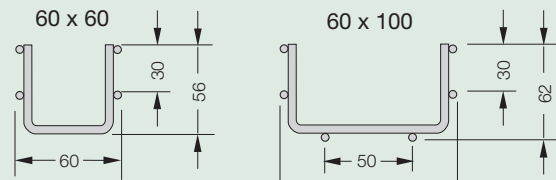
Length 3 m

Coatings:

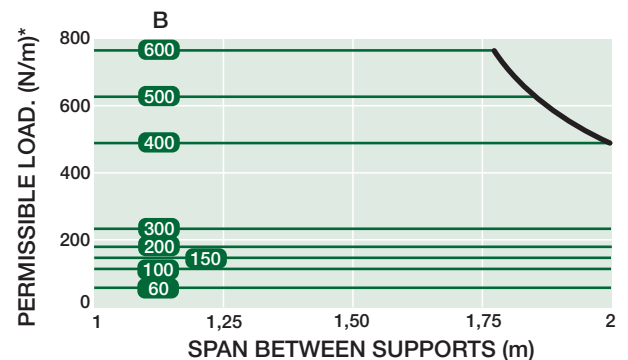
| | |
|-----------|---|
| Z3 | Ecologic zinc plating |
| G | Hot dip galvanized |
| I | Stainless steel AISI 304L/316L Passivated |



Cable tray sections:



| Reference | B | Weight kg/m | Useful cross section mm ² | m/pack |
|-----------|-----|-------------|--------------------------------------|--------|
| R0606Z3 | 60 | 0,67 | 2230 | 24 |
| R0610Z3 | 100 | 0,96 | 4390 | 24 |
| R0615Z3 | 150 | 1,02 | 7040 | 24 |
| R0620Z3 | 200 | 1,32 | 9460 | 12 |
| R0630Z3 | 300 | 1,68 | 14660 | 12 |
| R0640Z3 | 400 | 2,04 | 19860 | 6 |
| R0650Z3 | 500 | 2,86 | 25060 | 6 |
| R0660Z3 | 600 | 3,29 | 30260 | 6 |
| R0606G | 60 | 0,77 | 2230 | 24 |
| R0610G | 100 | 1,10 | 4390 | 24 |
| R0615G | 150 | 1,17 | 7040 | 24 |
| R0620G | 200 | 1,52 | 9460 | 12 |
| R0630G | 300 | 1,93 | 14660 | 12 |
| R0640G | 400 | 2,34 | 19860 | 6 |
| R0650G | 500 | 3,29 | 25060 | 6 |
| R0660G | 600 | 3,36 | 30260 | 6 |
| R0606I | 60 | 0,67 | 2230 | 24 |
| R0610I | 100 | 0,96 | 4390 | 24 |
| R0615I | 150 | 1,02 | 7040 | 24 |
| R0620I | 200 | 1,32 | 9460 | 12 |
| R0630I | 300 | 1,68 | 14660 | 12 |
| R0640I | 400 | 2,04 | 19860 | 6 |
| R0650I | 500 | 2,40 | 25060 | 6 |
| R0660I | 600 | 2,77 | 30260 | 6 |



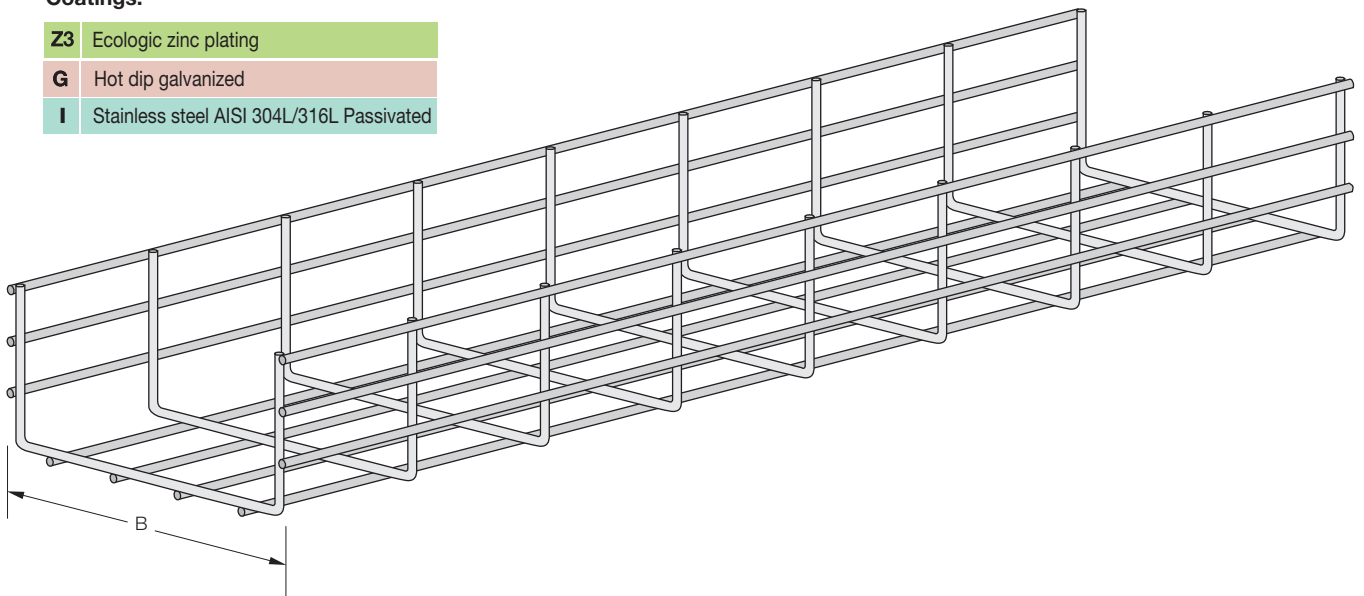
* Values obtained using ULR06..couplers on sides and UUR.. on bottom.

Electro-welded steel wire-mesh cable tray

Length 3 m

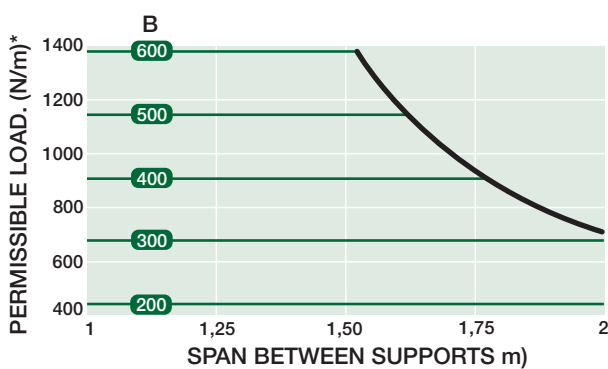
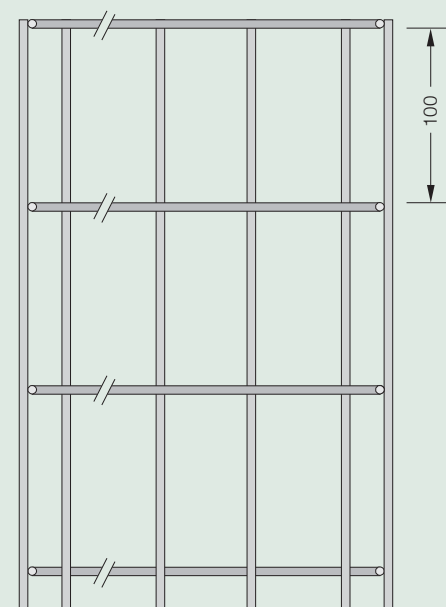
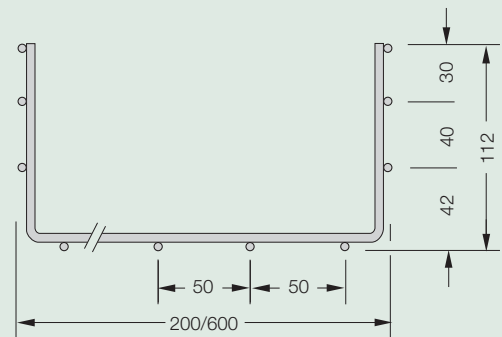
Coatings:

| | |
|-----------|---|
| Z3 | Ecologic zinc plating |
| G | Hot dip galvanized |
| I | Stainless steel AISI 304L/316L Passivated |



| Reference | B | Weight kg/m | Useful cross section mm ² | m/pack |
|----------------|-----|-------------|--------------------------------------|--------|
| R1020Z3 | 200 | 1,70 | 18660 | 6 |
| R1030Z3 | 300 | 2,07 | 28860 | 6 |
| R1040Z3 | 400 | 2,90 | 39060 | 6 |
| R1050Z3 | 500 | 3,34 | 49260 | 6 |
| R1060Z3 | 600 | 3,78 | 59460 | 6 |
| R1020G | 200 | 1,95 | 18660 | 6 |
| R1030G | 300 | 2,38 | 28860 | 6 |
| R1040G | 400 | 3,34 | 39060 | 6 |
| R1050G | 500 | 3,84 | 49260 | 6 |
| R1060G | 600 | 4,35 | 59460 | 6 |
| R1020I | 200 | 1,66 | 18660 | 6 |
| R1030I | 300 | 2,02 | 28860 | 6 |
| R1040I | 400 | 2,39 | 39060 | 6 |
| R1050I | 500 | 2,75 | 49260 | 6 |
| R1060I | 600 | 3,11 | 59460 | 6 |

Cable tray sections: from 110 x 200 to 110 x 600

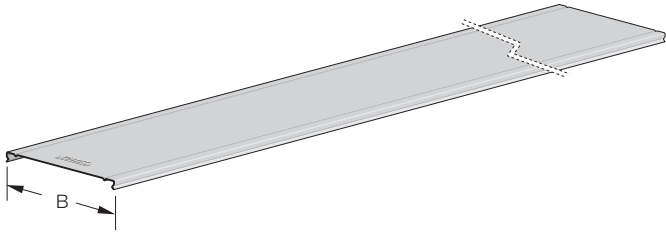


* Values obtained using ULR06..couplers on sides and UUR.. on bottom.

All measurements in mm

Complements

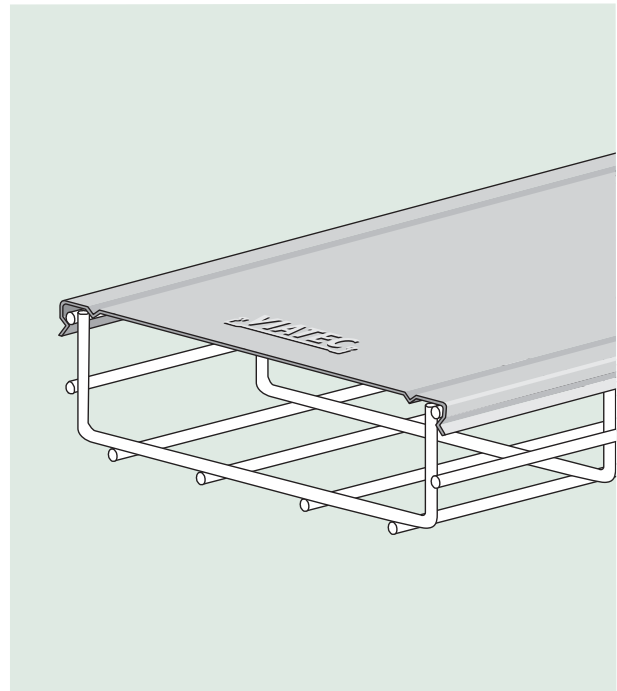
Cable tray cover



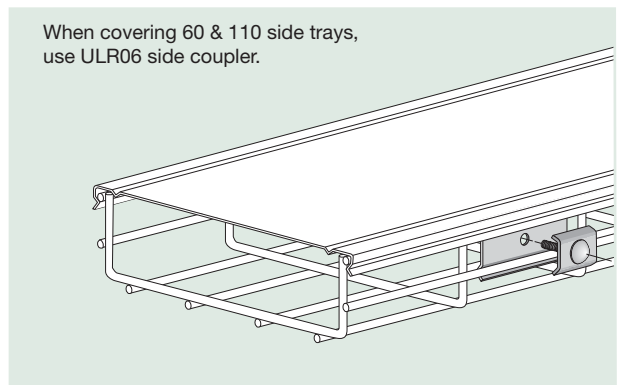
| Reference | B | Weight kg/m | m/pack |
|-----------|-----|-------------|--------|
| TB06S | 60 | 0,54 | 24 |
| TB10S | 100 | 0,63 | 24 |
| TB15S | 150 | 0,87 | 12 |
| TB20S | 200 | 1,11 | 12 |
| TB30S | 300 | 1,86 | 6 |
| TB40S | 400 | 2,42 | 6 |
| TB50S | 500 | 3,40 | 6 |
| TB60S | 600 | 4,04 | 6 |
| TB06G | 60 | 0,67 | 24 |
| TB10G | 100 | 0,72 | 24 |
| TB15G | 150 | 1,00 | 12 |
| TB20G | 200 | 1,28 | 12 |
| TB30G | 300 | 2,14 | 6 |
| TB40G | 400 | 2,78 | 6 |
| TB50G | 500 | 3,91 | 6 |
| TB60G | 600 | 4,65 | 6 |
| TB06I | 60 | 0,54 | 24 |
| TB10I | 100 | 0,63 | 24 |
| TB15I | 150 | 0,87 | 12 |
| TB20I | 200 | 1,11 | 12 |
| TB30I | 300 | 1,86 | 6 |
| TB40I | 400 | 2,42 | 6 |
| TB50I | 500 | 3,40 | 6 |
| TB60I | 600 | 4,04 | 6 |

Coatings:

| | |
|----------|---|
| S | Sendzimir galvanized |
| G | Hot dip galvanized |
| I | Stainless steel AISI 304L/316L Passivated |

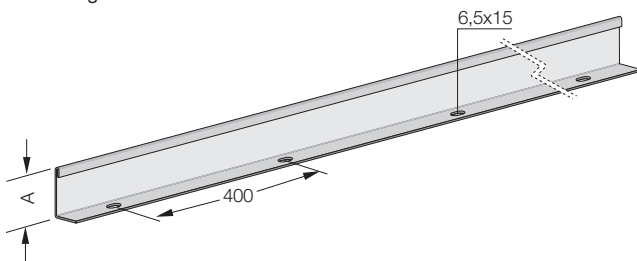


When covering 60 & 110 side trays, use ULR06 side coupler.



VIAFIL Dividing strip

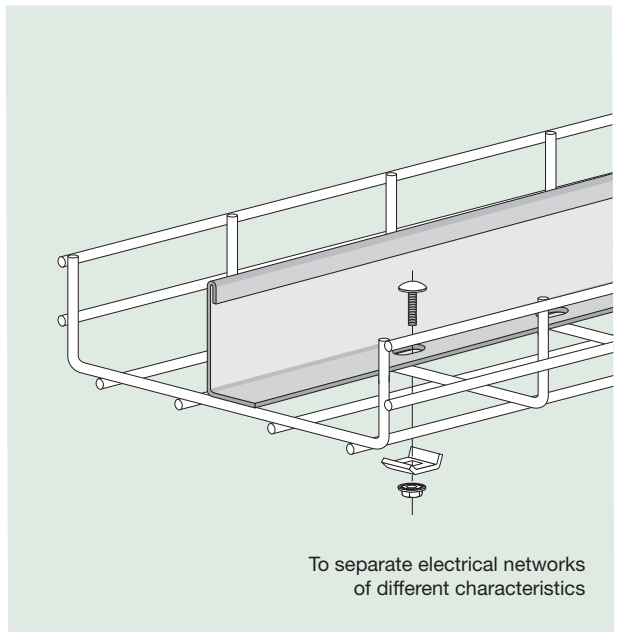
Length 3 m



| Reference | Side | A | Weight kg/m | m/Pack |
|-----------|------|----|-------------|--------|
| TSR03S | 30 | 23 | 0,40 | 30 |
| TSR06S | 60 | 53 | 0,64 | 30 |
| TSR10S | 110 | 95 | 0,91 | 30 |
| TSR03G | 30 | 23 | 0,46 | 30 |
| TSR06G | 60 | 53 | 0,74 | 30 |
| TSR10G | 110 | 95 | 1,05 | 30 |

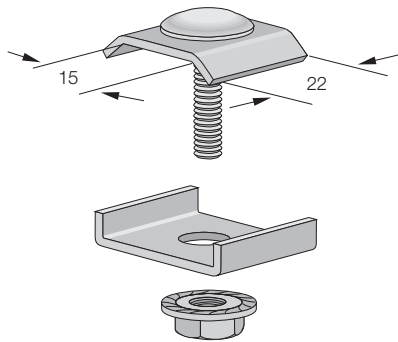
Use BFTG clamps

All measurements in mm



To separate electrical networks of different characteristics

Multipurpose coupler



| Reference | Weight kg/u | pcs./pack |
|--------------|-------------|-----------|
| UURZ3 | 0,03 | 50 |
| UURG | 0,03 | 50 |
| UURI | 0,03 | 50 |

SIDE 30 cable trays

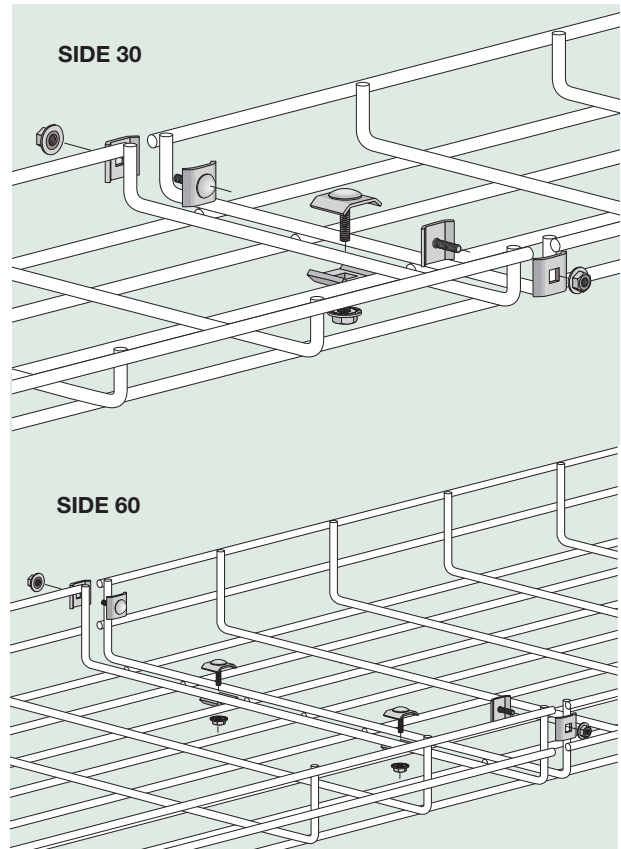
You will need:
Width 100: 2 pcs. UUR..
Widths 200-300: 3 pcs UUR..

SIDE 60 cable trays

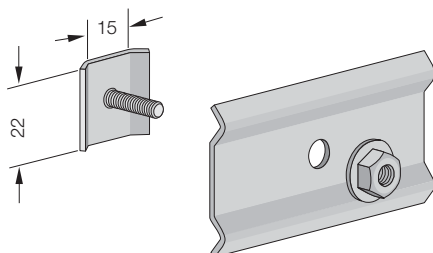
You will need:
Widths 60-100-150: 2 pcs. UUR..
Widths 200-300: 3 pcs UUR..
Widths 400-500-600: 4 pcs UUR..

Coatings:

| | |
|-----------|---|
| Z3 | Ecologic zinc plating |
| S | Sendzimir galvanized |
| G | Hot dip galvanized |
| I | Stainless steel AISI 304L/316L Passivated |



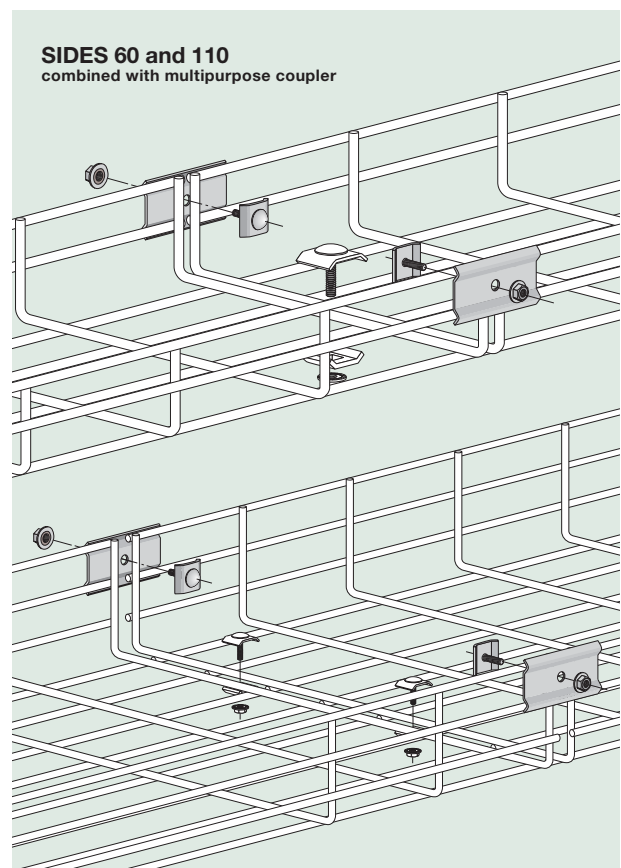
Side coupler for 60 & 110 mm



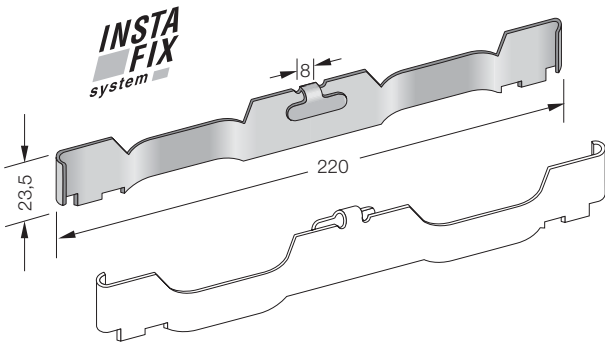
| Reference | Weight kg/u | pcs./pack |
|----------------|-------------|-----------|
| ULR06Z3 | 0,07 | 50 |
| ULR06G | 0,07 | 50 |
| ULR06I | 0,07 | 50 |

For coupling 2 cable tray stretches SIDES 60 and 110, you will need:

Widths 60-100-150: 2 pcs. ULR06..
Widths 200-300: 2 pcs. ULR06.. + 1 pc. UUR..
Widths 400-500-600: 2 pcs. ULR06.. + 2 pcs. UUR..

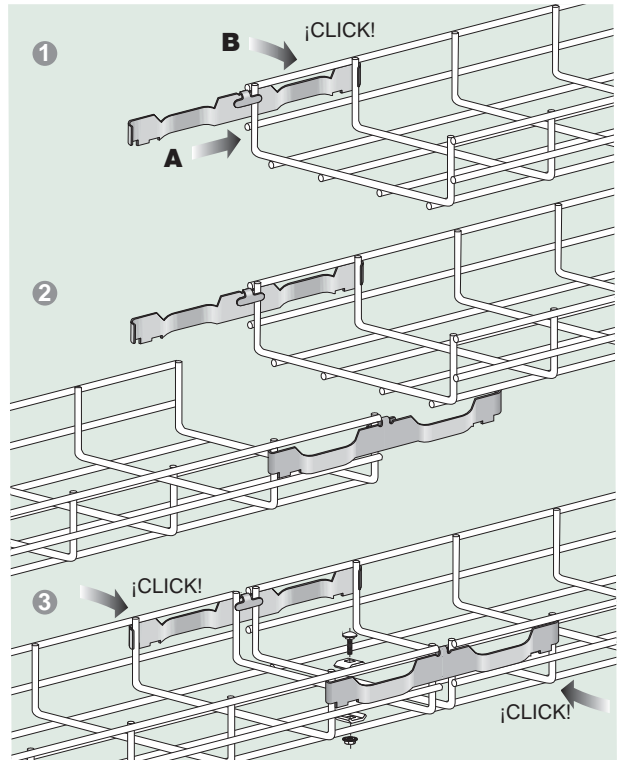


INSTA-FIX Side coupler

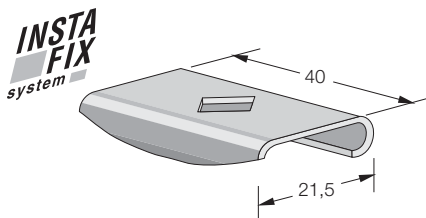


| Reference | Weight kg/u | pcs./pack |
|-------------|-------------|-----------|
| URLS | | 50 |

For coupling 2 cable tray stretches SIDES 60 and 110, you will need:
 Widths 60-100-150: 2 URLS couplers
 Widths 200-300: 2 URLS couplers + 1URBZ3 coupler
 Widths 400-500-600: 2 URLS couplers + 2 URBZ3 couplers.

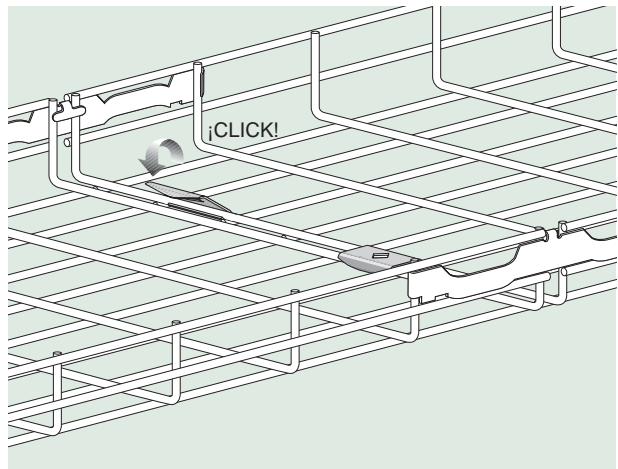


INSTA-FIX Central coupler

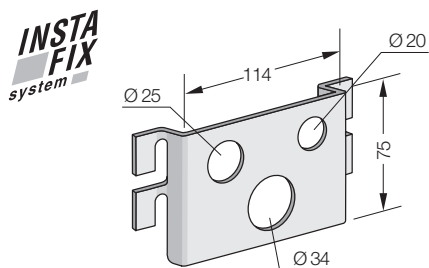


| Reference | Weight kg/u | pcs./pack |
|--------------|-------------|-----------|
| URBZ3 | 0,02 | 50 |

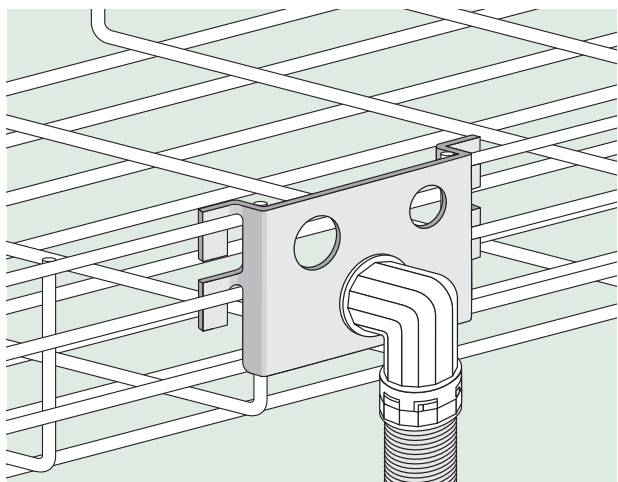
Use indications given for lateral coupler URLS.



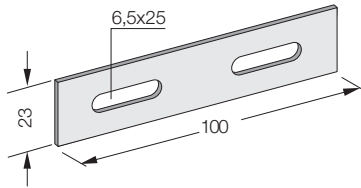
INSTA-FIX Conduit exit



| Reference | Weight kg/u | pcs./pack |
|-------------|-------------|-----------|
| STRS | 0,12 | 10 |



Multipurpose straight coupler

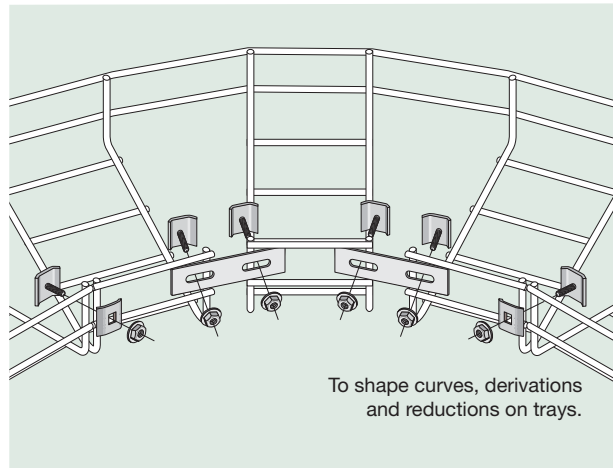


| Reference | Weight kg/u | pcs./pack |
|--------------|-------------|-----------|
| PURZ3 | 0,03 | 10 |
| PURG | 0,04 | 10 |
| PURI | 0,03 | 10 |

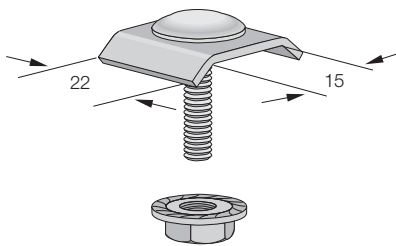
Use 2 FSRZ3 fixation clamps for each coupler.

Coatings:

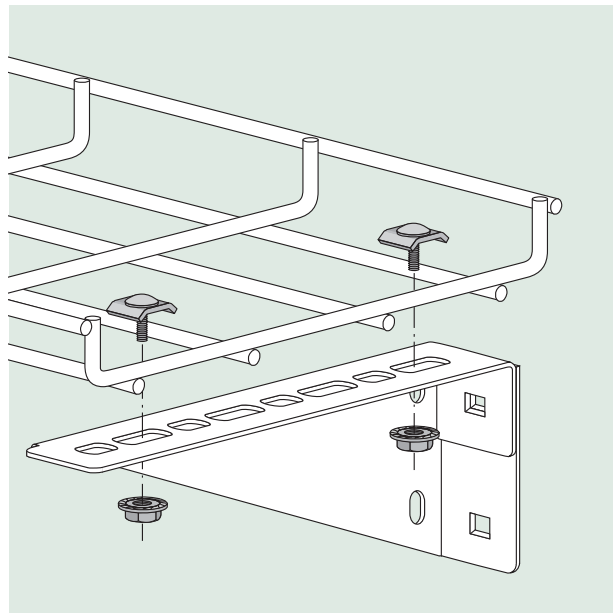
| | |
|-----------|---|
| Z3 | Ecologic zinc plating |
| G | Hot dip galvanized |
| I | Stainless steel AISI 304L/316L Passivated |



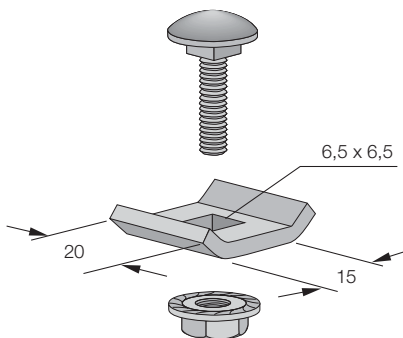
VIAFIL Fixation clamp to support



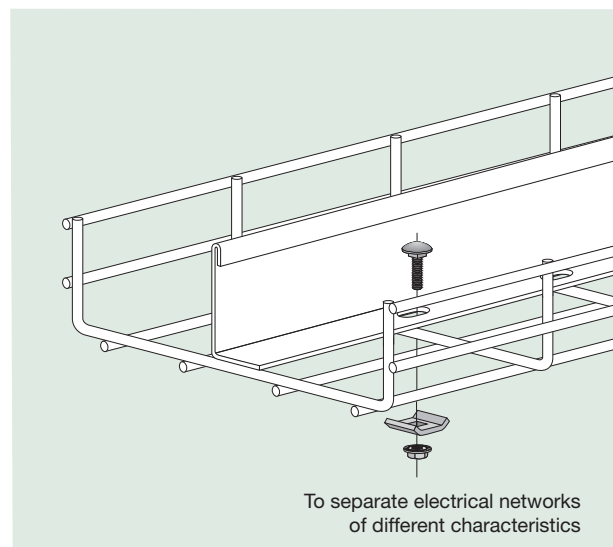
| Reference | Weight kg/u | pcs./pack |
|--------------|-------------|-----------|
| FSRZ3 | 0,02 | 50 |
| FSRG | 0,02 | 50 |
| FSRI | 0,02 | 50 |



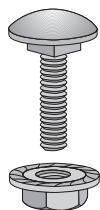
Dividing strip fixation clamp for VIAFIL



| Reference | Weight kg/u | pcs./pack |
|-------------|-------------|-----------|
| BFTG | 0,03 | 50 |

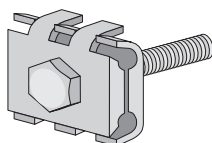


Bolts with toothed locknuts for VIAFIL cable trays

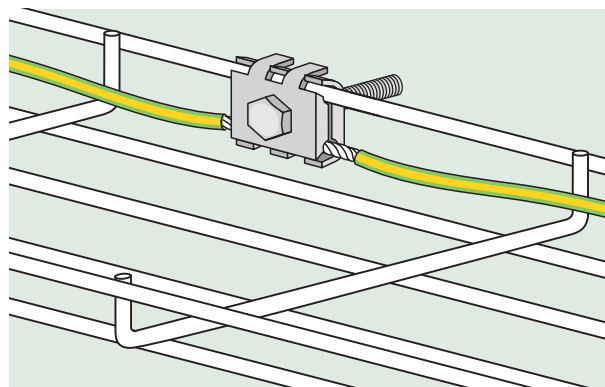


| Reference | Thread | Weight kg/pc | pcs/pack |
|-----------------|----------|--------------|----------|
| TCA620Z3 | M6 x 20 | 0,01 | 50 |
| TCA670Z3 | M6 x 70 | 0,02 | 50 |
| TCA820Z3 | M8 x 20 | 0,02 | 50 |
| TCA860Z3 | M8 x 60 | 0,03 | 50 |
| TCA620G | M6 x 20 | 0,01 | 50 |
| TCA820G | M8 x 20 | 0,02 | 50 |
| TCA1025G | M10 x 25 | 0,04 | 50 |
| TCA620I | M6 x 20 | 0,01 | 50 |

Grounding clamp for VIAFIL cable trays



| Reference | Section mm ² cable | Material | Weight kg/pc | pcs/pack |
|------------|-------------------------------|----------|--------------|----------|
| BTL | 16 a 35 | brass | 0,04 | 50 |



Heavy duty mesh cutter

Angular blade cutters for wire up to 8 mm diameter and C40 Rockwell hardness.



Spare parts upon request

| Reference | Length | Weight kg/pc | pcs/pack |
|--------------|--------|--------------|----------|
| 34119 | 610 | 2,80 | 1 |

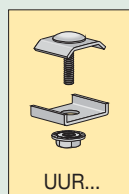
All measurements in mm

Use asymmetric cutter placing it as shown, near the intersection of wires.



90° angle

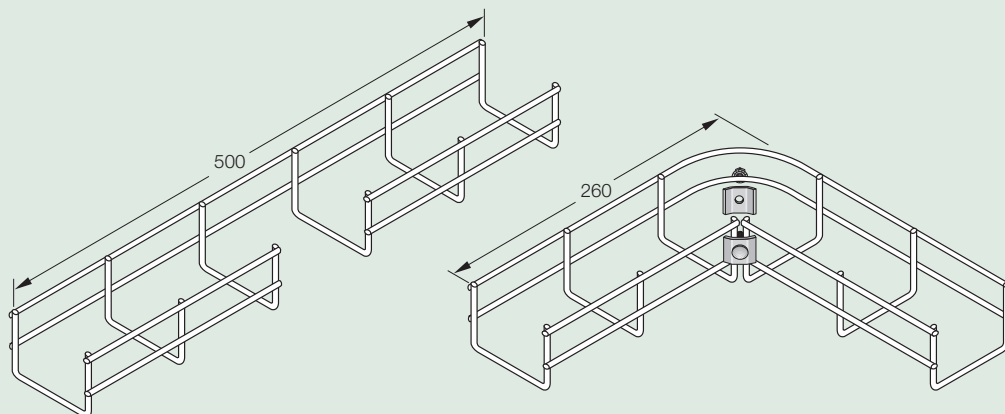
Width 60



UUR...

Pcs. needed

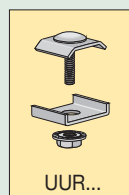
1



Easy assembly



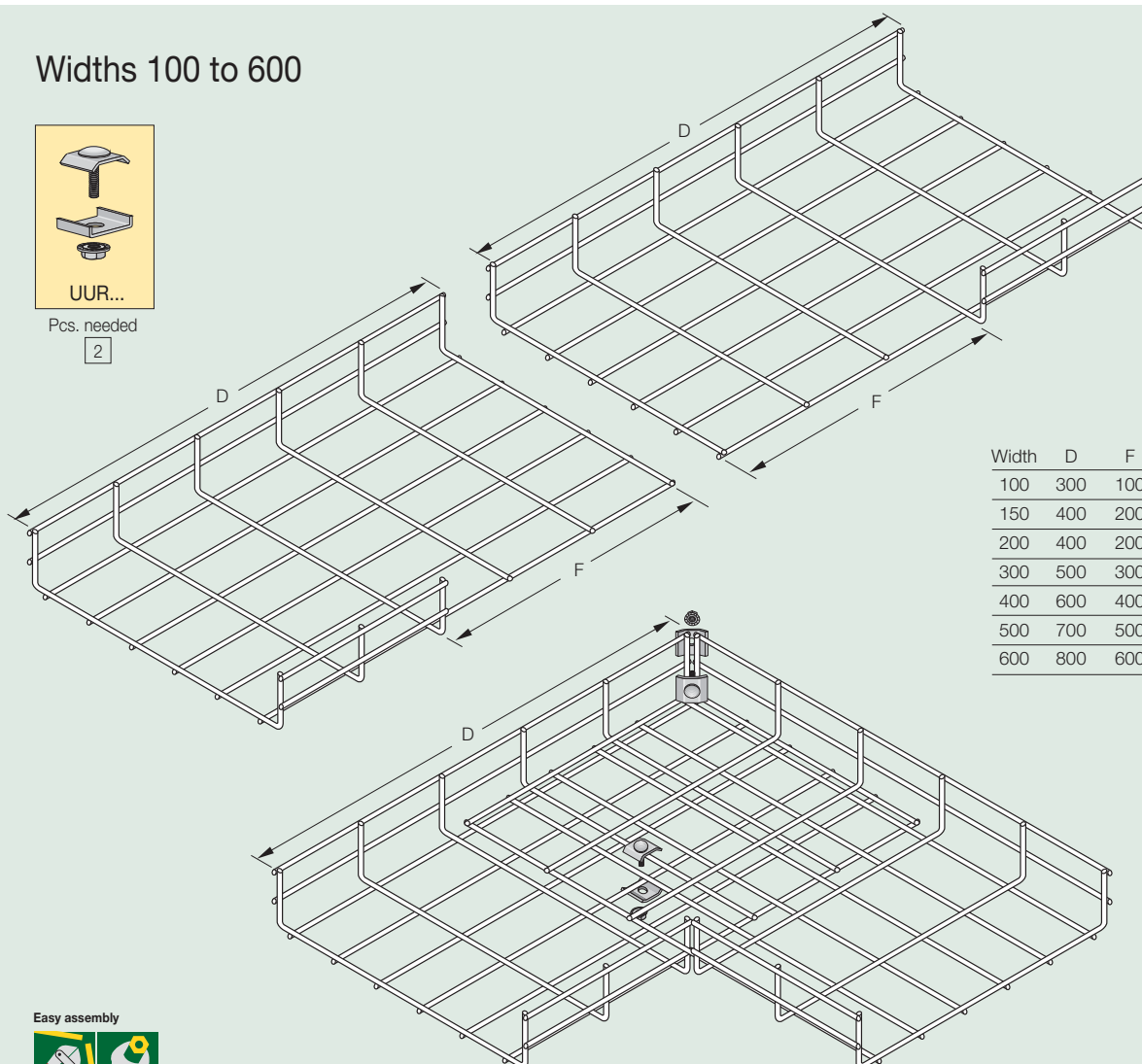
Widths 100 to 600



UUR...

Pcs. needed

2

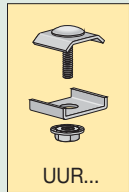


| Width | D | F |
|-------|-----|-----|
| 100 | 300 | 100 |
| 150 | 400 | 200 |
| 200 | 400 | 200 |
| 300 | 500 | 300 |
| 400 | 600 | 400 |
| 500 | 700 | 500 |
| 600 | 800 | 600 |

Easy assembly



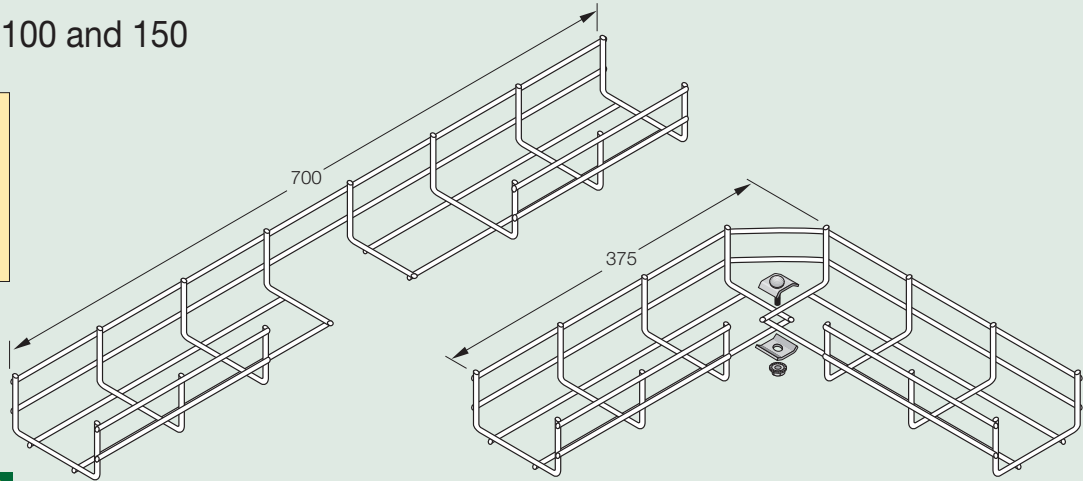
Widths 100 and 150



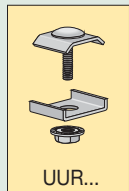
Pcs. needed

1

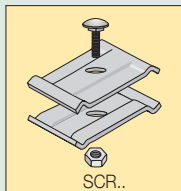
Easy assembly



Widths 200 to 600

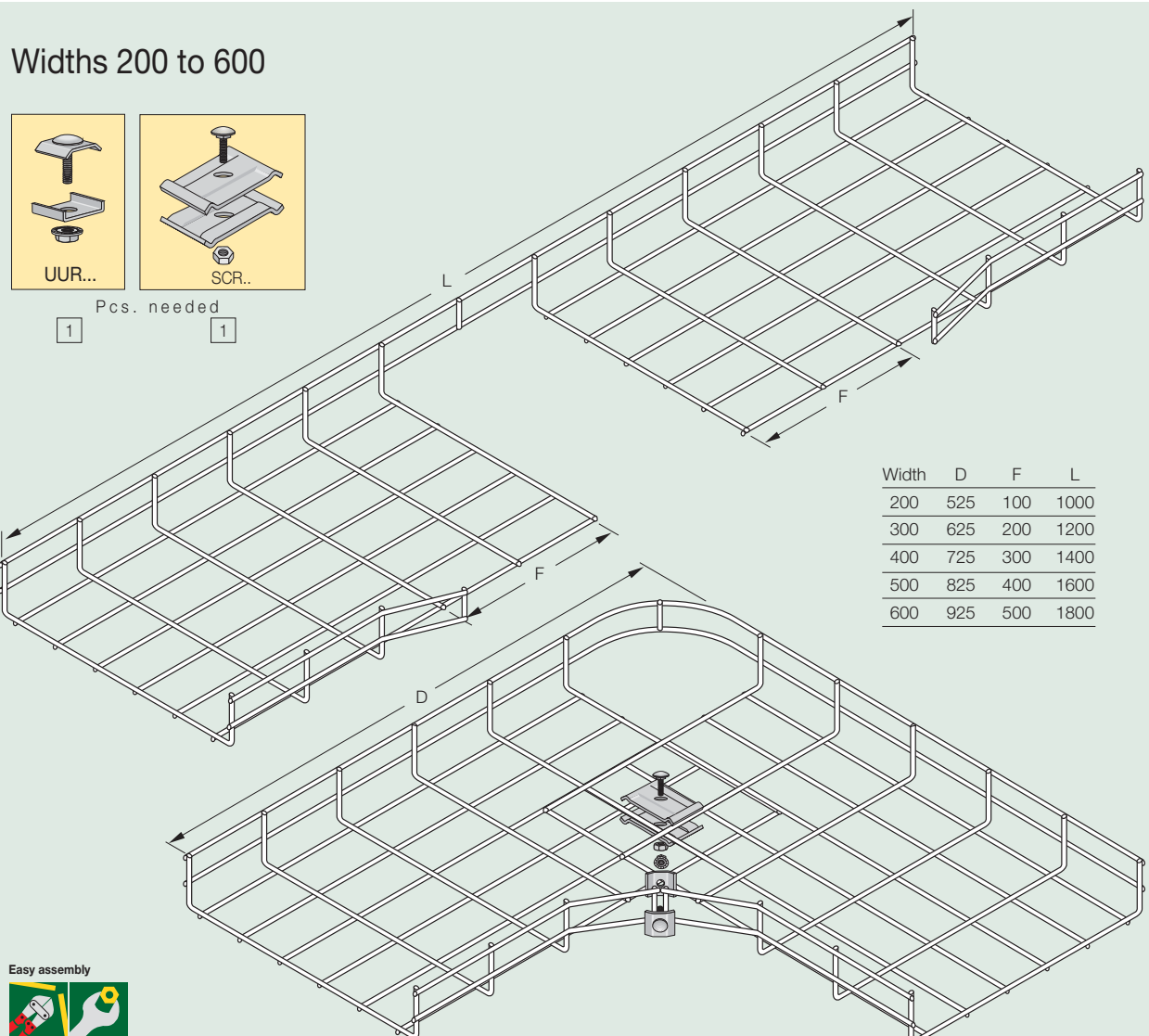


1



1

Pcs. needed



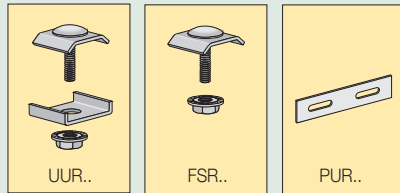
| Width | D | F | L |
|-------|-----|-----|------|
| 200 | 525 | 100 | 1000 |
| 300 | 625 | 200 | 1200 |
| 400 | 725 | 300 | 1400 |
| 500 | 825 | 400 | 1600 |
| 600 | 925 | 500 | 1800 |

Easy assembly

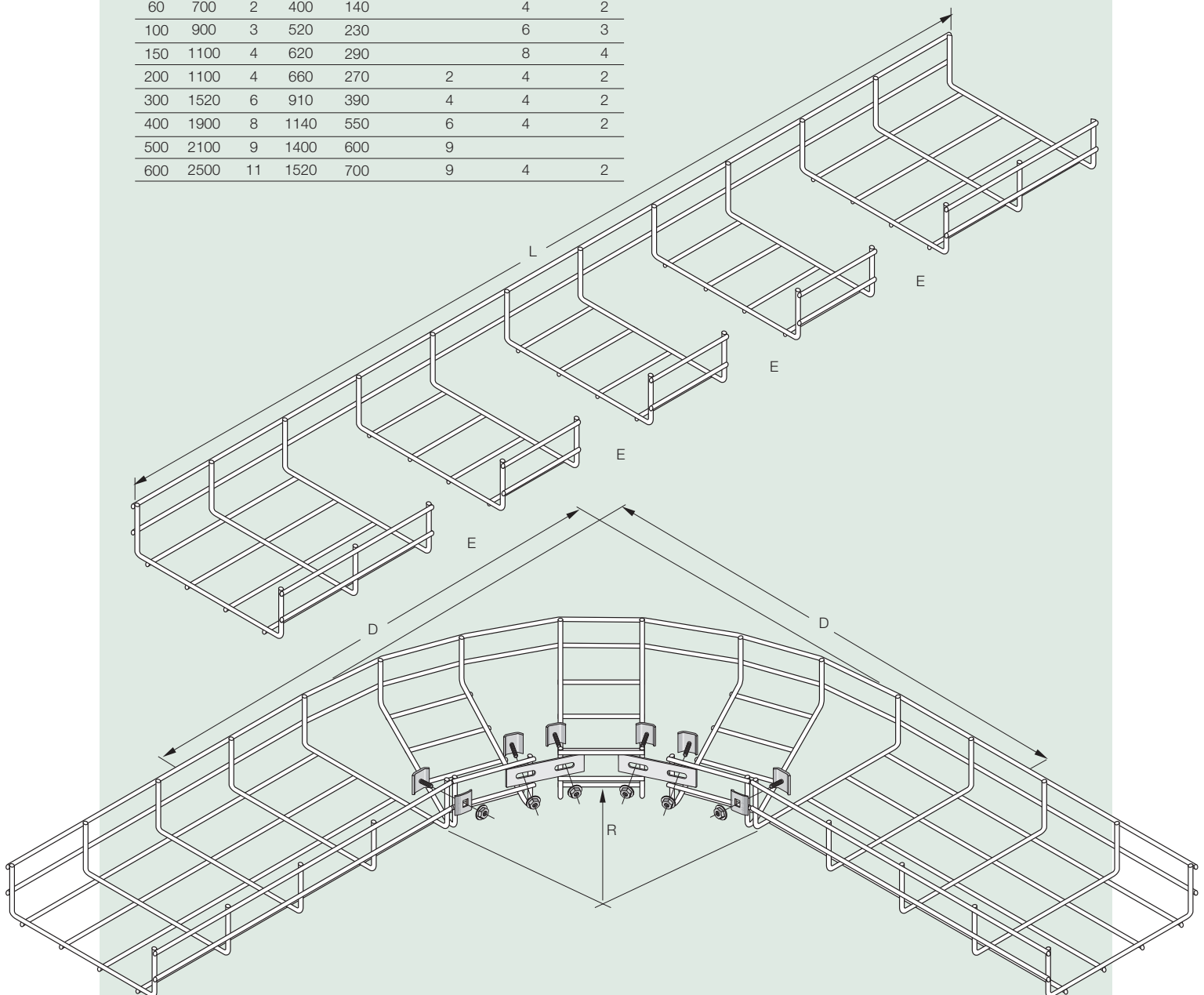


90° curved elbow

Widths 60 to 600



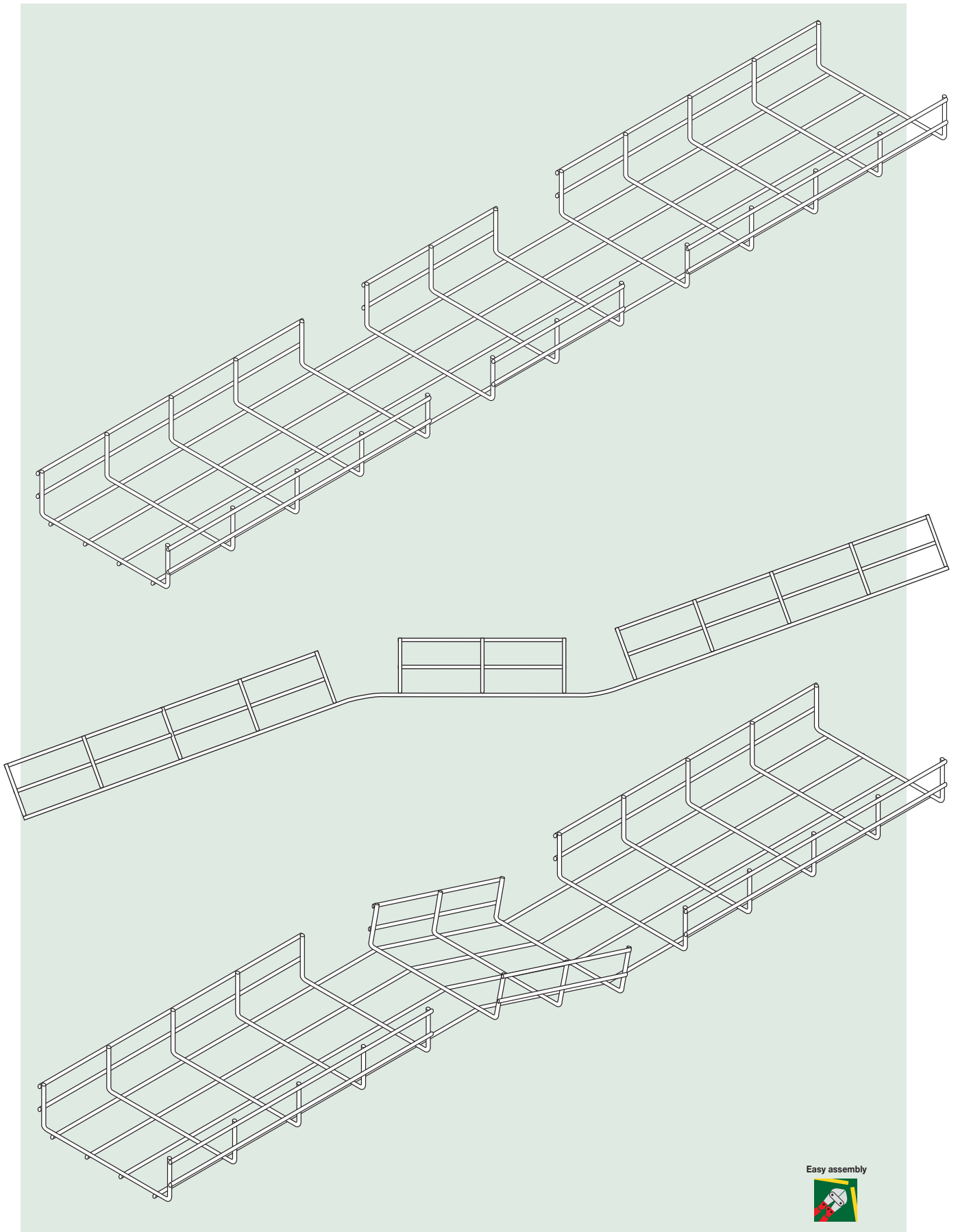
| Width | L | No of spaces | | | Interior radius R | Pieces needed | | |
|-------|------|--------------|------|-----|-------------------|---------------|-------|-------|
| | | E | D | | | UUR.. | FSR.. | PUR.. |
| 60 | 700 | 2 | 400 | 140 | | 4 | 2 | |
| 100 | 900 | 3 | 520 | 230 | | 6 | 3 | |
| 150 | 1100 | 4 | 620 | 290 | | 8 | 4 | |
| 200 | 1100 | 4 | 660 | 270 | 2 | 4 | 2 | |
| 300 | 1520 | 6 | 910 | 390 | 4 | 4 | 2 | |
| 400 | 1900 | 8 | 1140 | 550 | 6 | 4 | 2 | |
| 500 | 2100 | 9 | 1400 | 600 | 9 | | | |
| 600 | 2500 | 11 | 1520 | 700 | 9 | 4 | 2 | |



Easy assembly



Level change

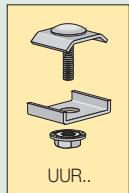


Easy assembly



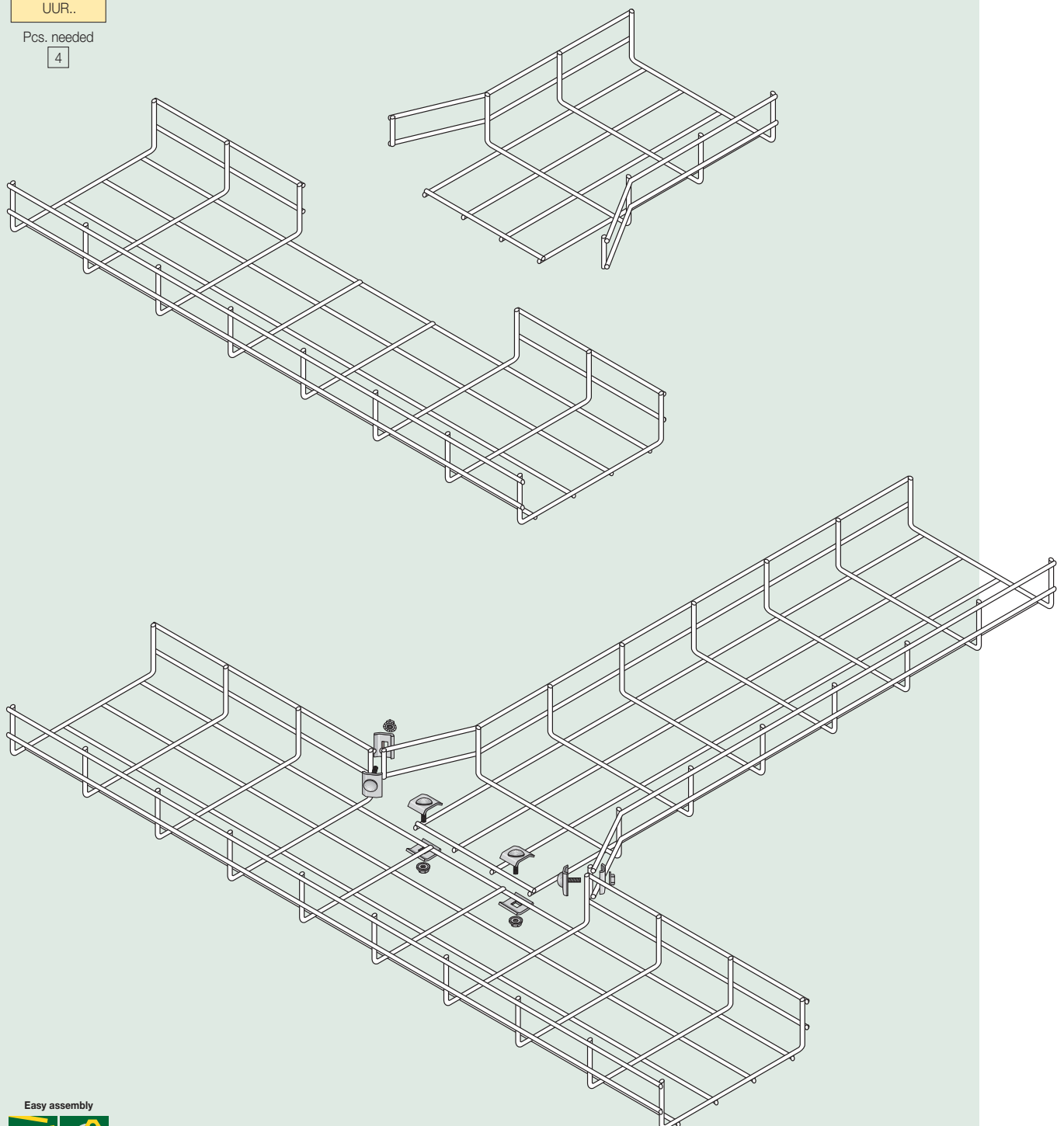
Derivation

Widths 100 to 600



Pcs. needed

4

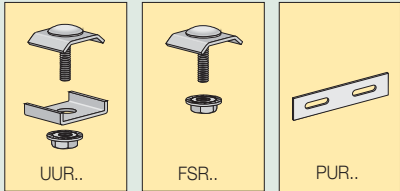


Easy assembly



Reduction

Widths 100 to 600



UUR..

FSR..

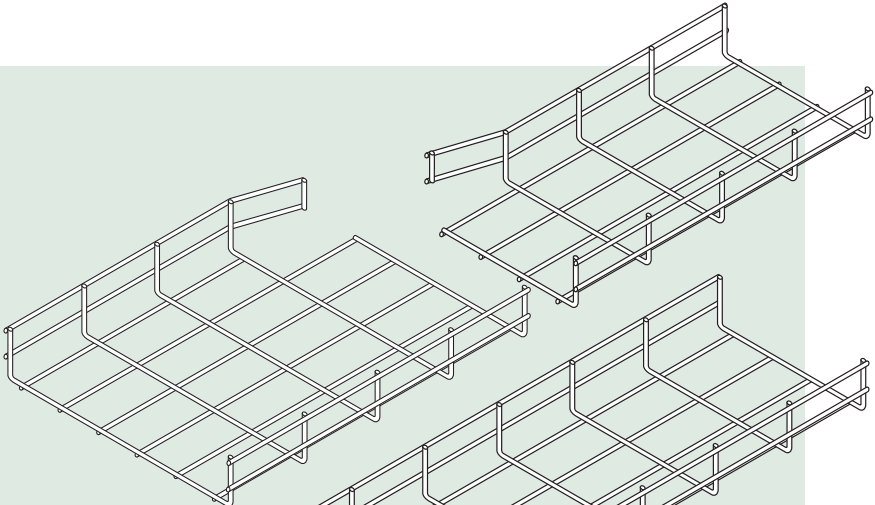
PUR..

Pcs. needed

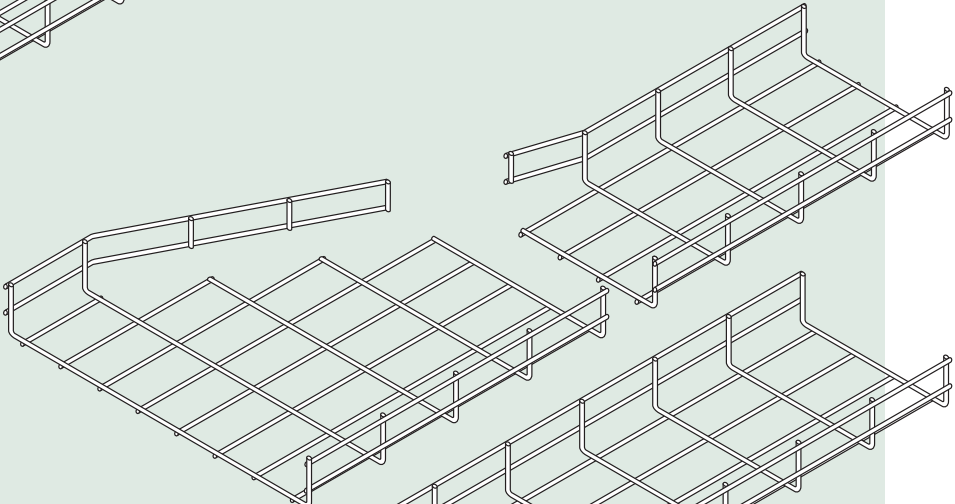
3

2

1



100 mm reduction



200 mm reduction

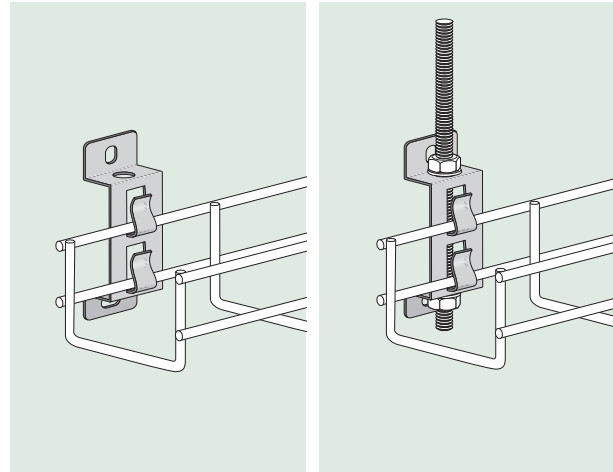
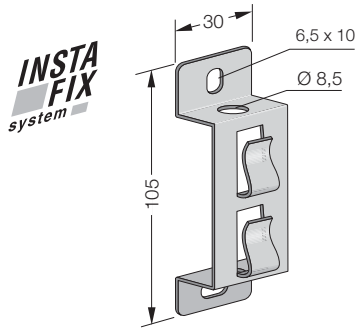
Easy assembly



INSTA-FIX support for 60 x 60 VIAFIL

Coatings:

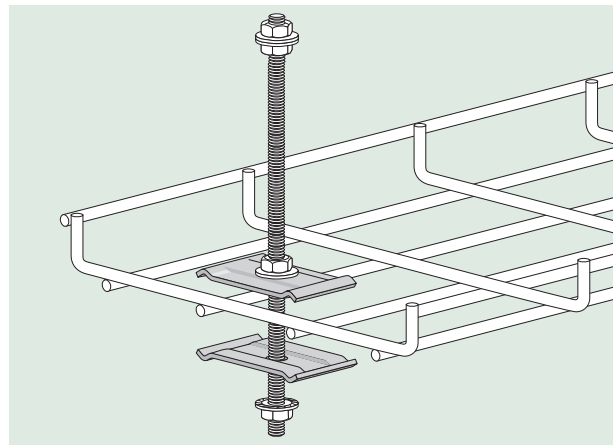
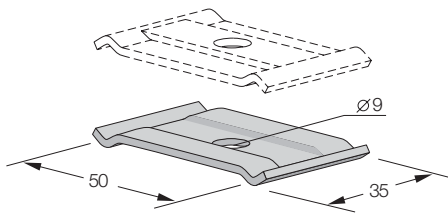
| | |
|-----------|---|
| Z3 | Ecologic zinc plating |
| S | Sendzimir galvanized |
| G | Hot dip galvanized |
| I | Stainless steel AISI 304L/316L Passivated |



| Reference | Weight kg/u | pcs./pack |
|--------------|-------------|-----------|
| SMRZ3 | 0,07 | 10 |
| SMRG | 0,07 | 10 |

Wall or ceiling fixation using VS8.. threaded hanging rod.

Central suspension clamp for VIAFIL

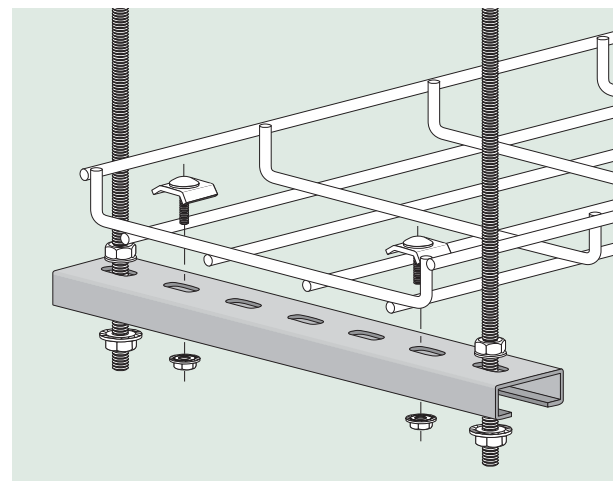
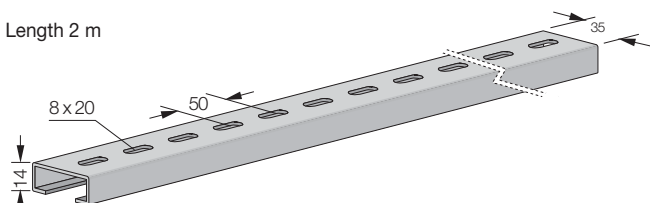


| Reference | Weight kg/u | pcs./pack |
|--------------|-------------|-----------|
| SCRZ3 | 0,04 | 50 |
| SCRG | 0,04 | 50 |
| SCRI | 0,04 | 50 |

Use 2 pieces for each suspension with VS8.. rod only for sides 100-150-200 with light and equilibrated loads.

Telerail for trapeze suspension

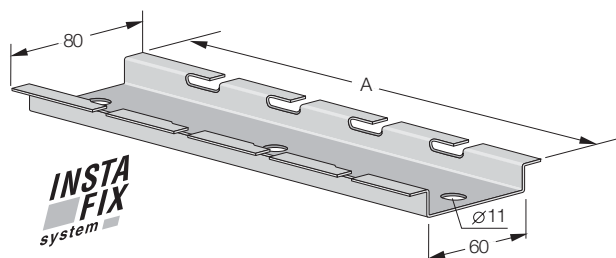
Length 2 m



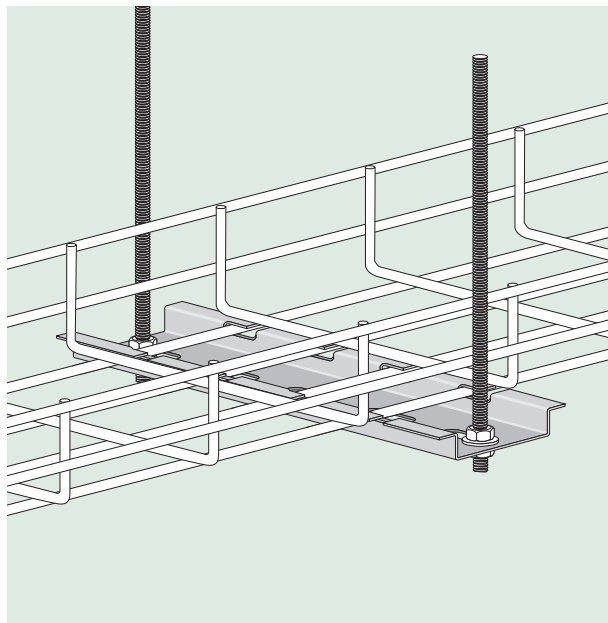
| Reference | Weight kg/u | pcs./pack |
|---------------|-------------|-----------|
| TEL35S | 0,90 | 8 |
| TEL35G | 1,01 | 8 |

Use VS8.. hanging rod.

INSTA-FIX support for trapeze suspension



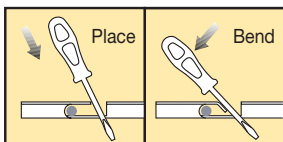
| Reference | Cable tray width | A | Weight kg/pc. | pcs./pack |
|---------------|------------------|-----|---------------|-----------|
| PST20S | 200 | 270 | 0,66 | 2 |
| PST30S | 300 | 370 | 0,90 | 2 |
| PST40S | 400 | 470 | 1,14 | 2 |
| PST50S | 500 | 570 | 1,39 | 2 |
| PST60S | 600 | 670 | 1,63 | 2 |
| PST20G | 200 | 270 | 0,73 | 2 |
| PST30G | 300 | 370 | 0,99 | 2 |
| PST40G | 400 | 470 | 1,25 | 2 |
| PST50G | 500 | 570 | 1,53 | 2 |
| PST60G | 600 | 670 | 1,79 | 2 |



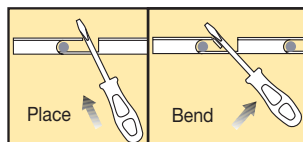
Use with VS8.. and VS10.. hanging rod.

Bend tabs after placing the VIAFIL cable tray

From above



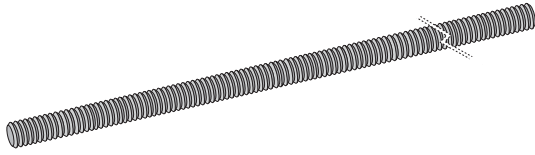
From below



Elements for supports

Threaded hanging rod

Length 1 m

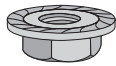


| Reference | Thread | Weight kg/pc | pcs./pack |
|----------------|--------|--------------|-----------|
| VS8Z3* | M8 | 0,32 | 10 |
| VS10Z3* | M10 | 0,40 | 10 |
| VS8I** | M8 | 0,32 | 10 |
| VS10I** | M10 | 0,40 | 10 |

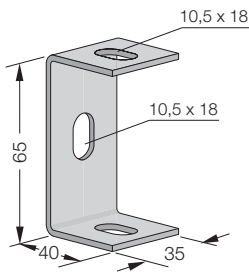
* Use 2 C6923.8Z3/10Z3 toothed locknuts.

** Use 2 C6923.8I/10I toothed locknuts.

Toothed locknut



Ceiling fixation



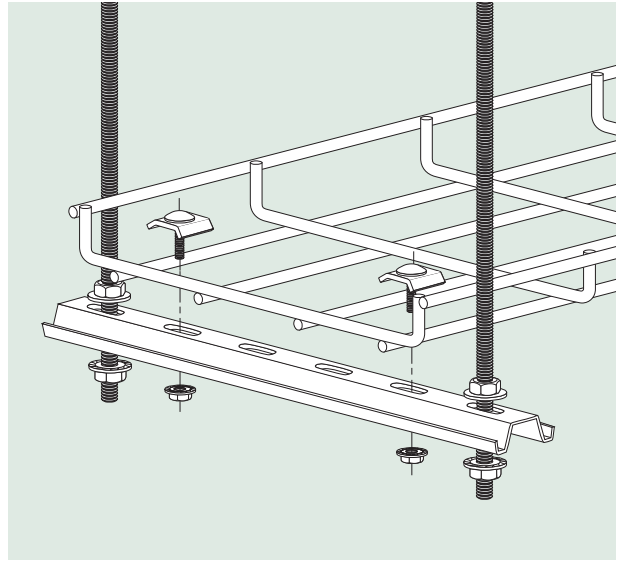
| Reference | Weight kg/u | pcs./pack |
|-------------|-------------|-----------|
| FTZ3 | 0,10 | 10 |

To be used with VS8Z3 or VS10Z3 threaded hanging rod.

Coatings:

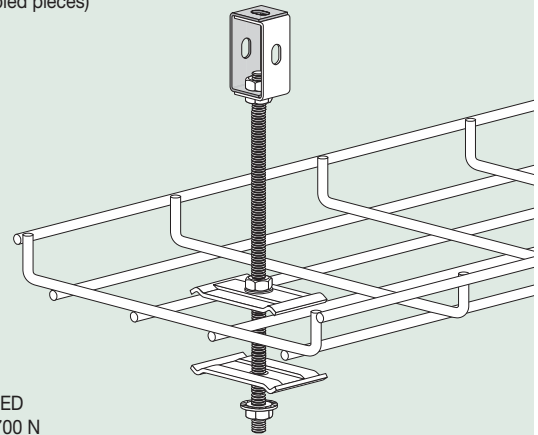
| | |
|-----------|---|
| Z3 | Ecologic zinc plating |
| G | Hot dip galvanized |
| I | Stainless steel AISI 304L/316L Passivated |
| P | Bluing |

MULTIVIA®

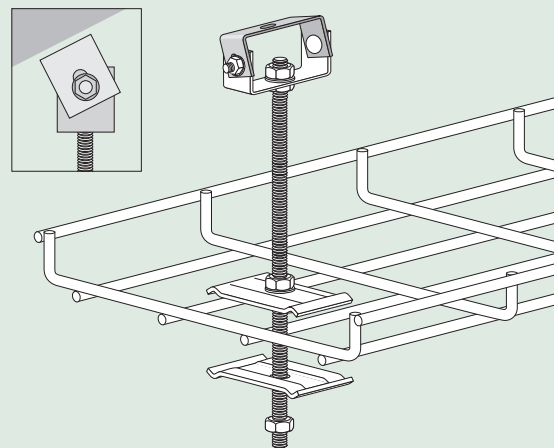


| Reference | Thread | Weight kg/pc | pcs./pack |
|-------------------|--------|--------------|-----------|
| C6923.8Z3 | M8 | 0,01 | 50 |
| C6923.10Z3 | M10 | 0,01 | 50 |
| C6923.8I | M8 | 0,01 | 50 |
| C6923.10I | M10 | 0,01 | 50 |

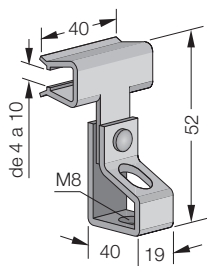
VERTICAL
Load: 700N
(2 coupled pieces)



INCLINED
Load: 700 N
(2 coupled pieces)

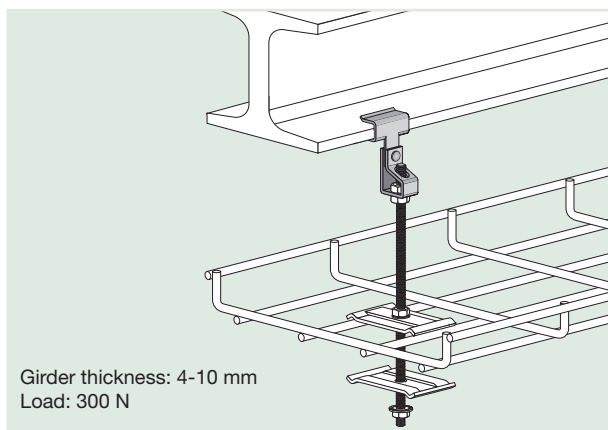


Horizontal fastening clip

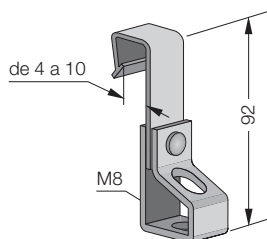


| Reference | Weight kg/u | pcs./pack |
|-------------|----------------|-----------|
| CFHP | 0,02 | 10 |

To be used with VS8Z3 threaded hanging rod.

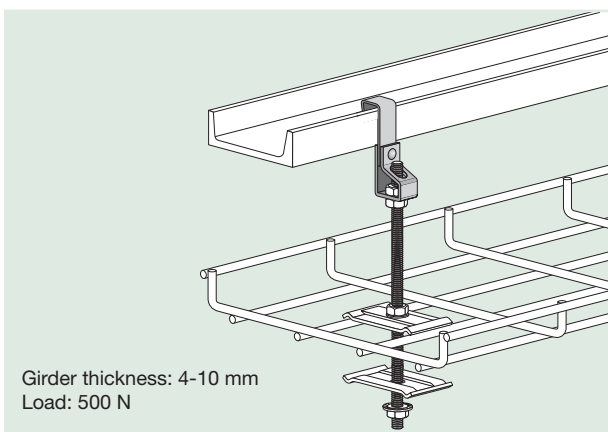


Vertical fastening clip

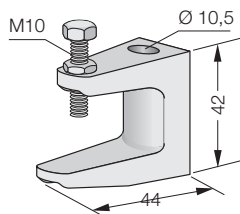


| Reference | Weight kg/u | pcs./pack |
|-------------|----------------|-----------|
| CFVP | 0,02 | 10 |

To be used with VS8Z3.

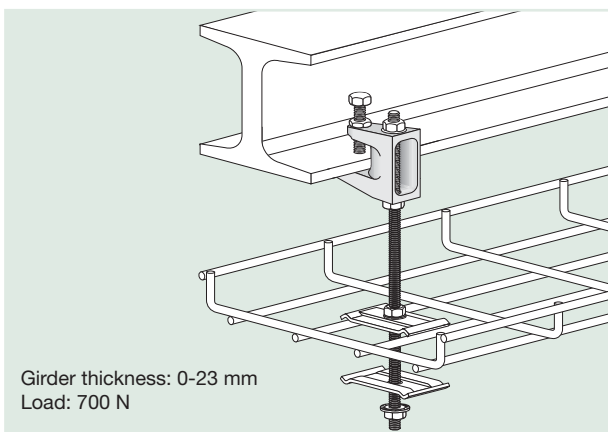


Fixing clamp for steel girder



| Reference | Width | Weight kg/pc. | pcs./pack |
|-------------|-------|------------------|-----------|
| MFVG | 200 | 0,25 | 10 |

To be used with VS8Z3 threaded hanging rod.

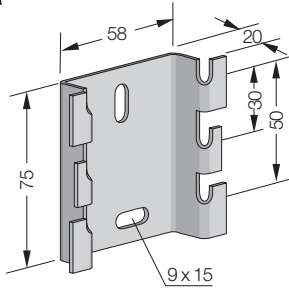


INSTA-FIX Multipurpose support

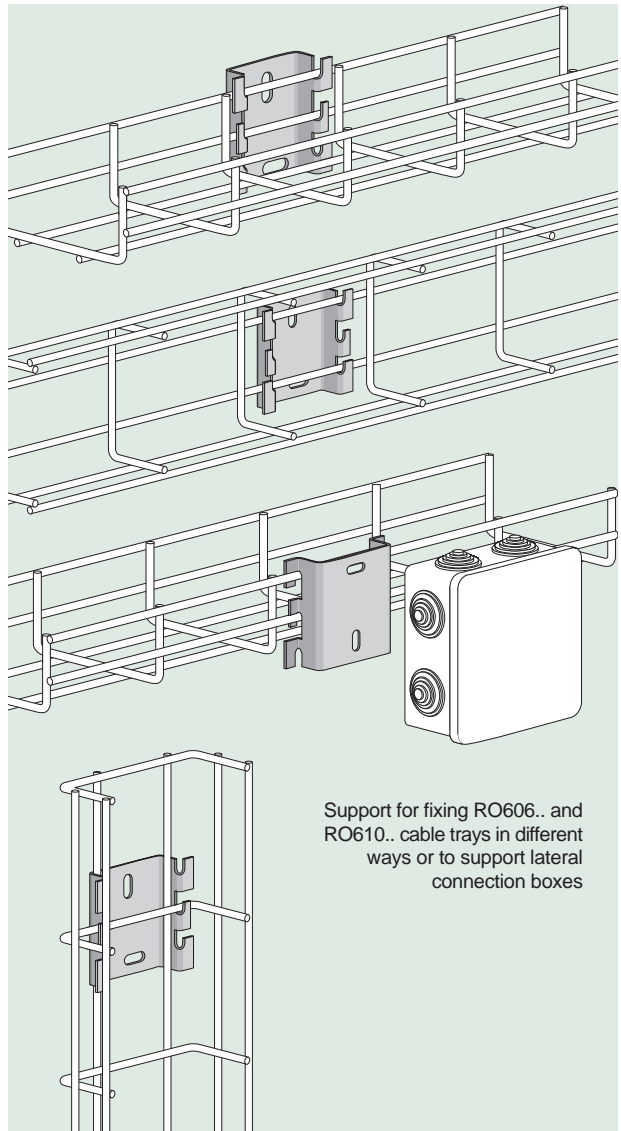
Coatings:

| | |
|----------|---|
| S | Sendzimir galvanized |
| G | Hot dip galvanized |
| I | Stainless steel AISI 304L/316L Passivated |

INSTA-FIX
system

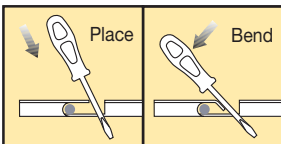


| Reference | Weight kg/u | pcs./pack |
|-------------|-------------|-----------|
| SDRS | 0,84 | 10 |
| SDRG | 0,96 | 10 |
| SDRI | 0,84 | 10 |

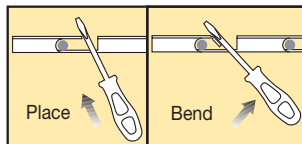


Bend tabs after placing the VIAFIL cable tray

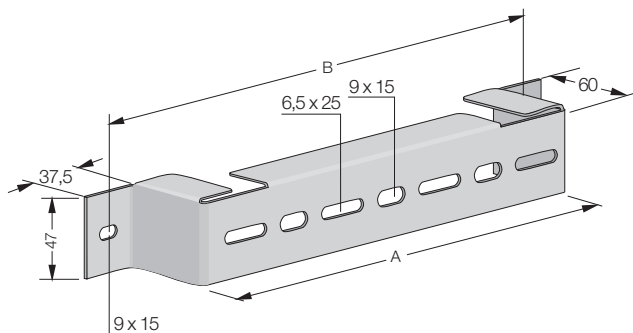
From above



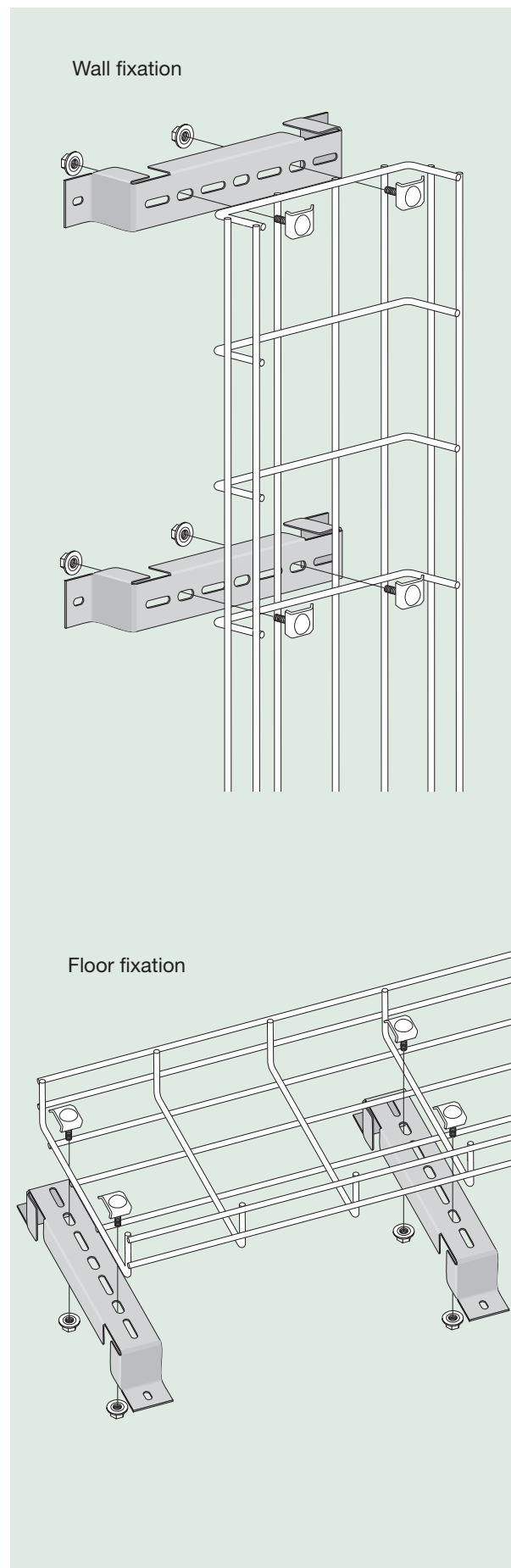
From below



Distancing support

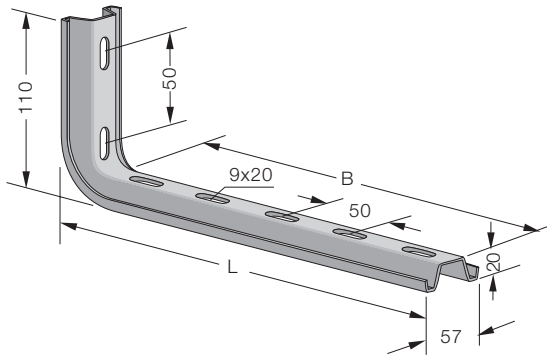


| Reference | A | B | Weight kg/u | pcs./pack |
|---------------|-----|-----|----------------|-----------|
| SVD10S | 100 | 148 | 0,26 | 5 |
| SVD15S | 150 | 198 | 0,30 | 5 |
| SVD20S | 200 | 248 | 0,34 | 5 |
| SVD30S | 300 | 348 | 0,43 | 5 |
| SVD40S | 400 | 448 | 0,52 | 5 |
| SVD50S | 500 | 548 | 0,89 | 5 |
| SVD60S | 600 | 648 | 1,03 | 5 |
| SVD10G | 100 | 148 | 0,30 | 5 |
| SVD15G | 150 | 198 | 0,35 | 5 |
| SVD20G | 200 | 248 | 0,39 | 5 |
| SVD30G | 300 | 348 | 0,49 | 5 |
| SVD40G | 400 | 448 | 0,60 | 5 |
| SVD50G | 500 | 548 | 1,02 | 5 |
| SVD60G | 600 | 648 | 1,18 | 5 |
| SVD10I | 100 | 148 | 0,26 | 5 |
| SVD15I | 150 | 198 | 0,30 | 5 |
| SVD20I | 200 | 248 | 0,34 | 5 |
| SVD30I | 300 | 348 | 0,43 | 5 |
| SVD40I | 400 | 448 | 0,52 | 5 |
| SVD50I | 500 | 548 | 0,89 | 5 |
| SVD60I | 600 | 648 | 1,03 | 5 |



"OMEGA" supports and elements

Wall or hanging profile "OMEGA" support



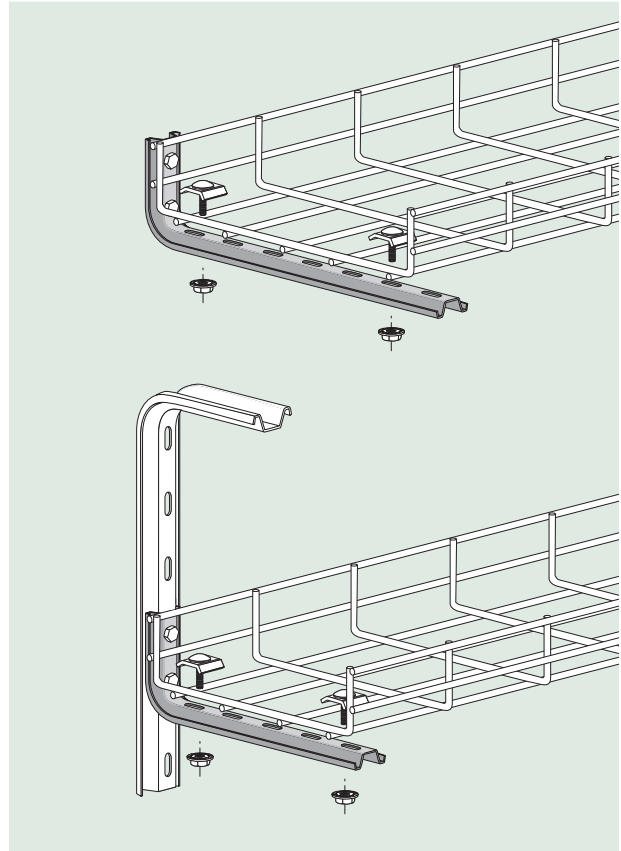
| Reference | Cable tray width | B | L | Weight kg/pc. | pcs./pack |
|-----------|------------------|-----|-----|---------------|-----------|
| SO14S | 100 | 145 | 170 | 0,32 | 10 |
| SO19S | 150 | 195 | 220 | 0,38 | 10 |
| SO24S | 200 | 245 | 270 | 0,45 | 10 |
| SO34S | 300 | 345 | 370 | 0,59 | 10 |
| SO14G | 100 | 145 | 170 | 0,35 | 10 |
| SO19G | 150 | 195 | 220 | 0,42 | 10 |
| SO24G | 200 | 245 | 270 | 0,50 | 10 |
| SO34G | 300 | 345 | 370 | 0,65 | 10 |

To fix it to an "OMEGA" hanging profile, use 2 TCA820.. bolts with toothed locknut. To fill it to a wall mounted "C" profile, use TE835Z3 bolts with TG8Z3 guided locknuts and TSOZ3 shim.

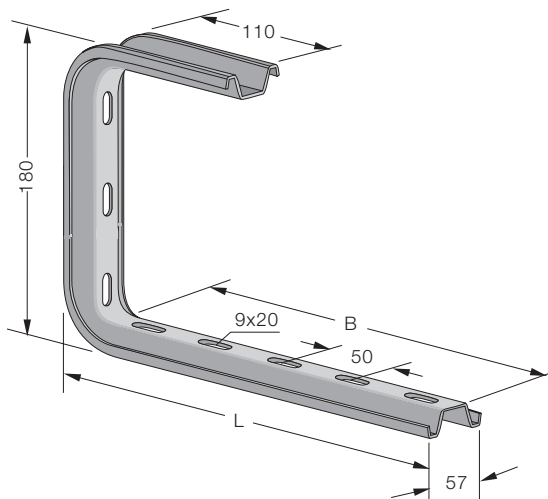
Coatings:

| | |
|----|-----------------------|
| Z3 | Ecologic zinc plating |
| S | Sendzimir galvanized |
| G | Hot dip galvanized |

MULTIVIA®

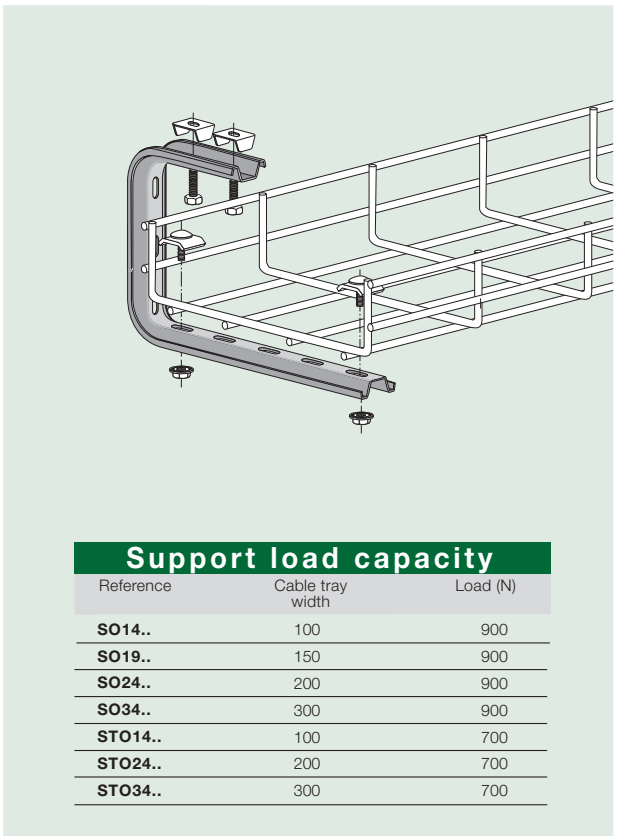


"OMEGA" profile ceiling support



| Reference | Cable tray width | B | L | Weight kg/pc. | pcs./pack |
|-----------|------------------|-----|-----|---------------|-----------|
| STO14S | 100 | 145 | 170 | 0,56 | 1 |
| STO24S | 200 | 245 | 270 | 0,64 | 1 |
| STO34S | 300 | 345 | 370 | 0,76 | 1 |
| STO14G | 100 | 145 | 170 | 0,62 | 1 |
| STO24G | 200 | 245 | 270 | 0,70 | 1 |
| STO34G | 300 | 345 | 370 | 0,84 | 1 |

For ceiling fixation, use TSOZ3 shim.

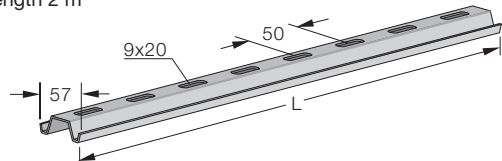


Support load capacity

| Reference | Cable tray width | Load (N) |
|-----------|------------------|----------|
| SO14.. | 100 | 900 |
| SO19.. | 150 | 900 |
| SO24.. | 200 | 900 |
| SO34.. | 300 | 900 |
| STO14.. | 100 | 700 |
| STO24.. | 200 | 700 |
| STO34.. | 300 | 700 |

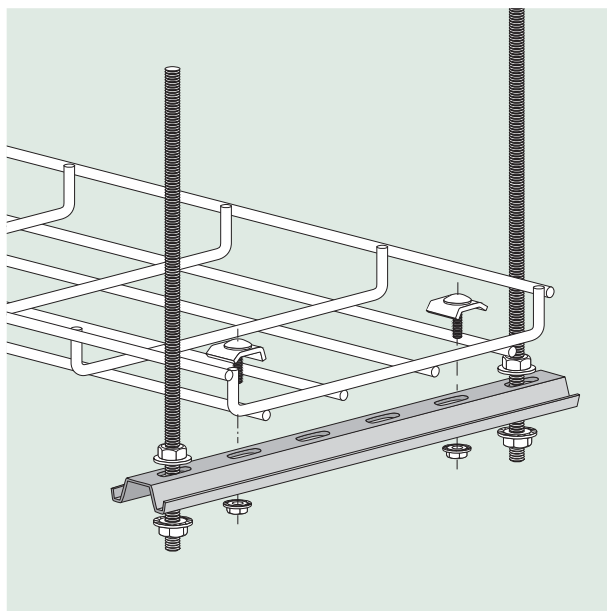
“OMEGA” profile for trapeze suspension

Length 2 m

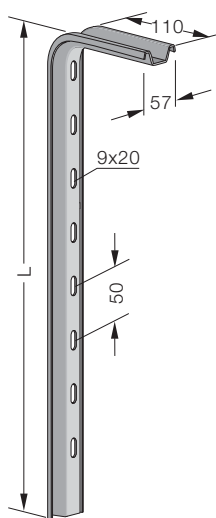


| Reference | Cable tray width | L | Weight kg/pc | Emb/m |
|-----------|------------------|-----|--------------|-------|
| PO20S | 200 | 300 | 0,39 | 10 |
| PO30S | 300 | 400 | 0,52 | 10 |
| PO40S | 400 | 500 | 0,64 | 10 |
| PO50S | 500 | 600 | 0,77 | 10 |
| PO60S | 600 | 700 | 0,90 | 10 |
| PO20G | 200 | 300 | 0,43 | 10 |
| PO30G | 300 | 400 | 0,58 | 10 |
| PO40G | 400 | 500 | 0,72 | 10 |
| PO50G | 500 | 600 | 0,86 | 10 |
| PO60G | 600 | 700 | 1,00 | 10 |

Use VS8.. hanging rod. For an easier assembly, use TSOZ3 shims.

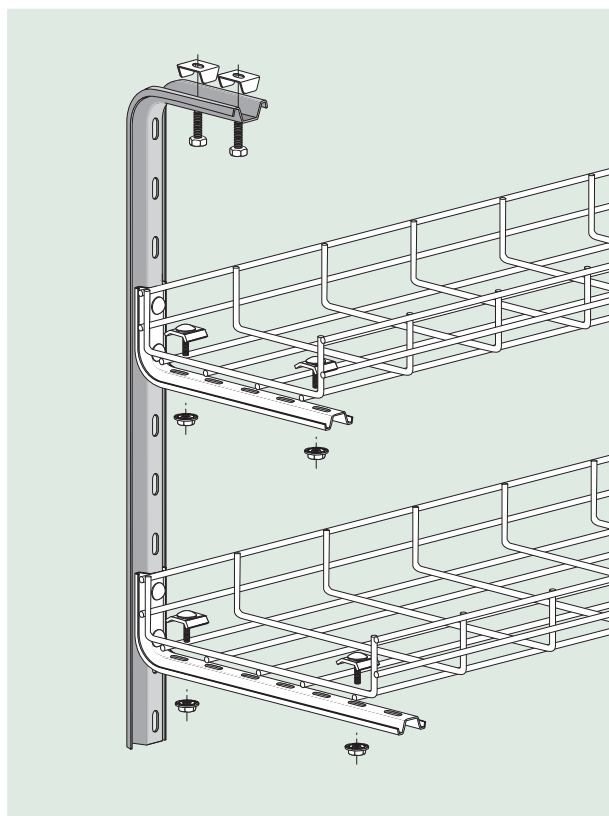


“OMEGA” hanging profile

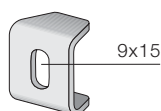


| Reference | L | Weight kg/pc. | pcs./pack |
|-----------|-----|---------------|-----------|
| PSO44S | 470 | 1,44 | 5 |
| PSO54S | 570 | 1,66 | 5 |
| PSO64S | 670 | 1,80 | 5 |
| PSO44G | 470 | 1,61 | 5 |
| PSO54G | 570 | 1,85 | 5 |
| PSO64G | 670 | 2,02 | 5 |

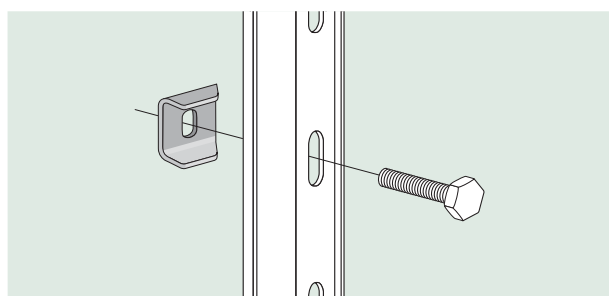
For ceiling fixation, use TSOZ3 shim.



Shim for “OMEGA” profile



| Reference | Weight kg/pc. | pcs./pack |
|-----------|---------------|-----------|
| TSOZ3 | 0,01 | 5 |



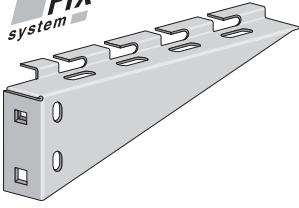
All measurements in mm

INSTA-FIX support for wall or "C" profile

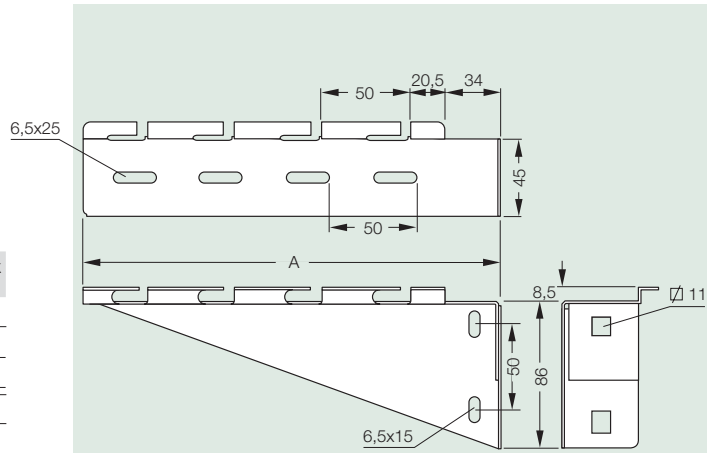
Coatings:

- S** Sendzimir galvanized
- G** Hot dip galvanized

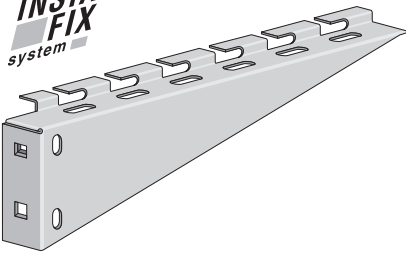
INSTA-FIX
system



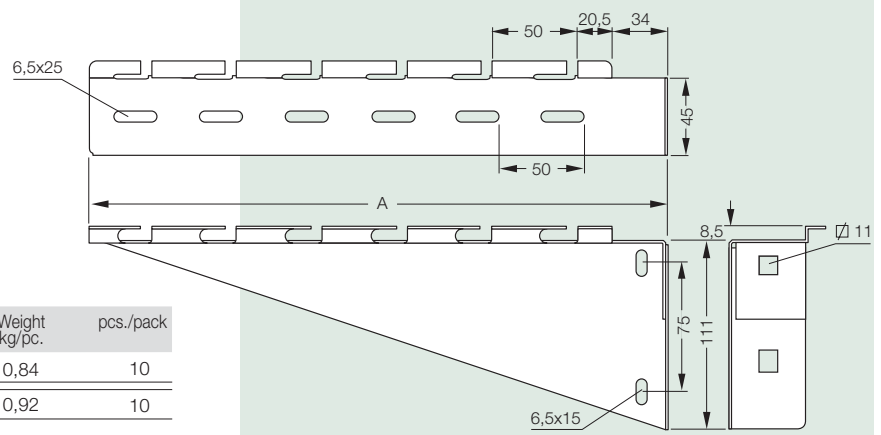
| Reference | Cable tray width | A | Weight kg/pc. | pcs./pack |
|---------------|------------------|-----|---------------|-----------|
| SSH10S | 100 | 141 | 0,27 | 10 |
| SSH15S | 150 | 166 | 0,31 | 10 |
| SSH20S | 200 | 241 | 0,41 | 10 |
| SSH10G | 100 | 141 | 0,30 | 10 |
| SSH15G | 150 | 166 | 0,34 | 10 |
| SSH20G | 200 | 241 | 0,45 | 10 |



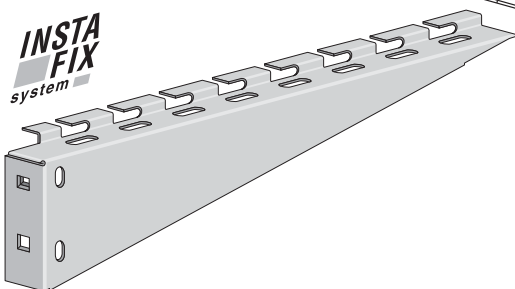
INSTA-FIX
system



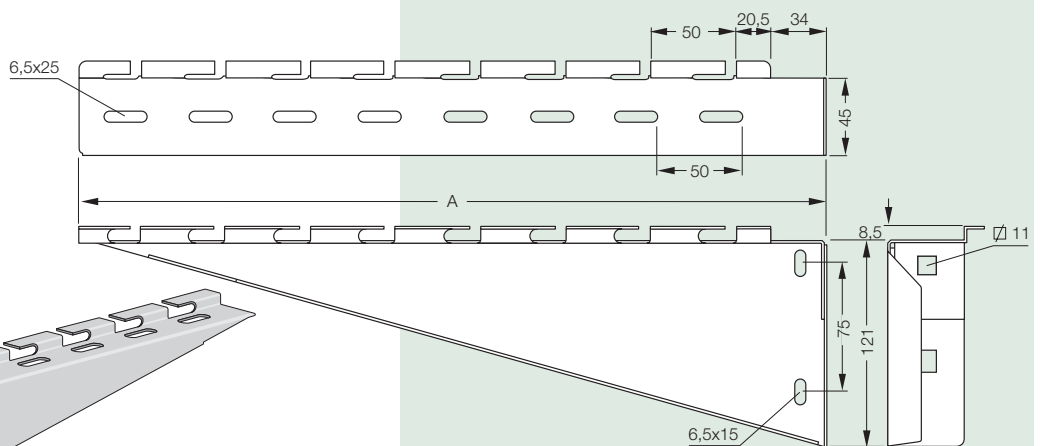
| Reference | Cable tray width | A | Weight kg/pc. | pcs./pack |
|---------------|------------------|-----|---------------|-----------|
| SSH30S | 300 | 341 | 0,84 | 10 |
| SSH30G | 300 | 341 | 0,92 | 10 |

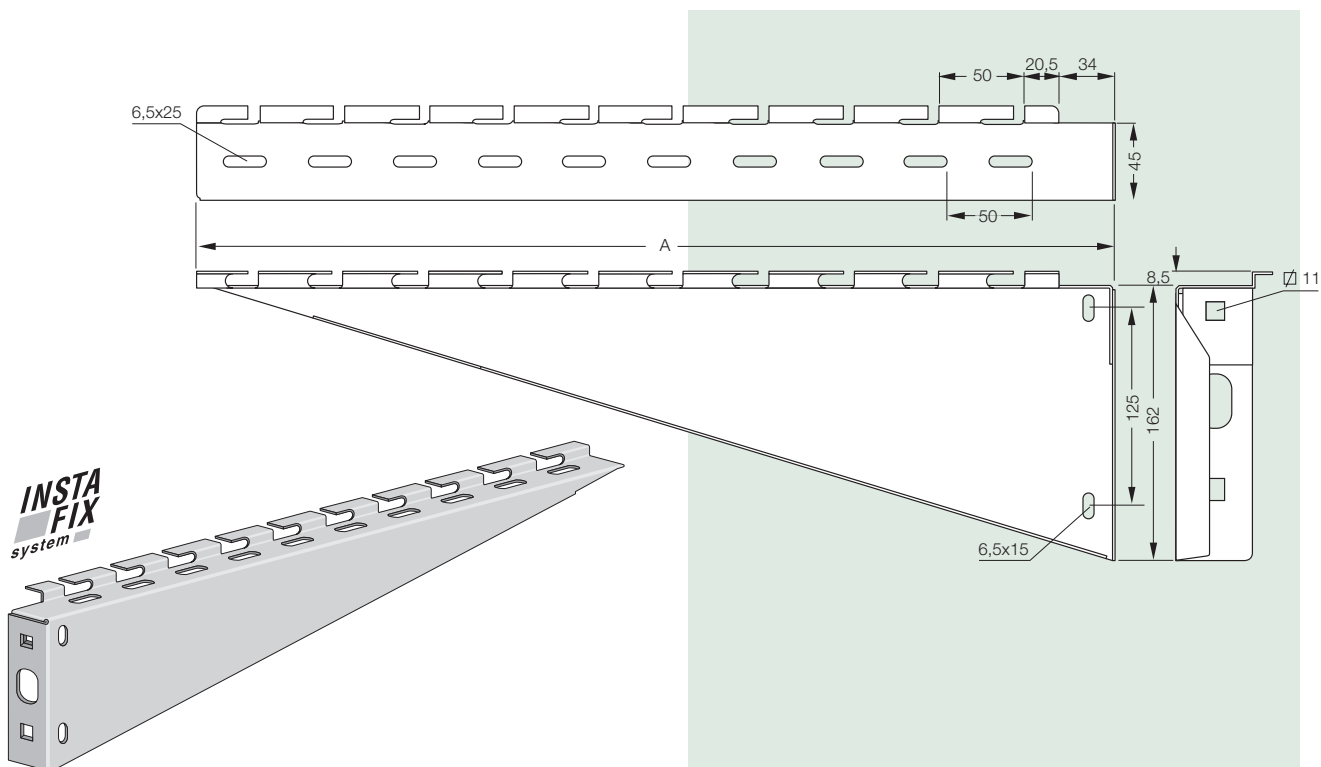


INSTA-FIX
system



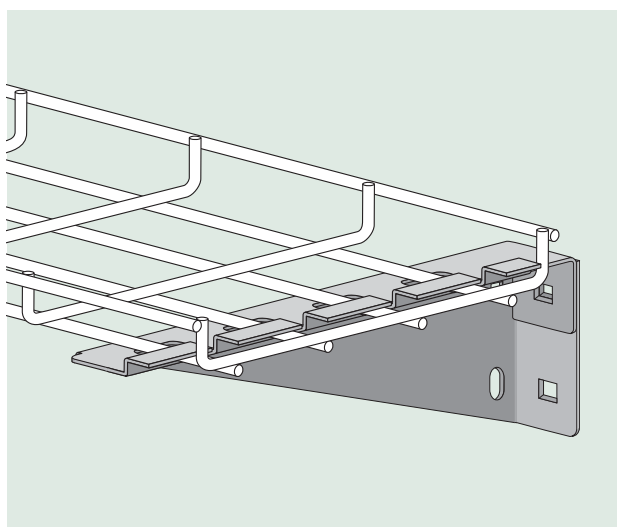
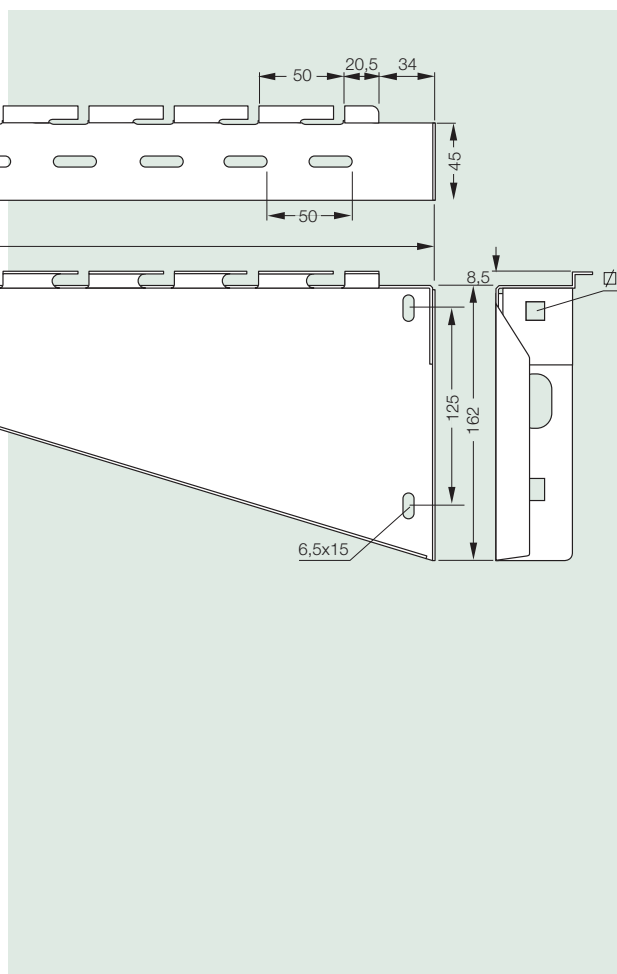
| Reference | Cable tray width | A | Weight kg/pc. | pcs./pack |
|---------------|------------------|-----|---------------|-----------|
| SSH40S | 400 | 441 | 0,94 | 5 |
| SSH40G | 400 | 441 | 1,03 | 5 |



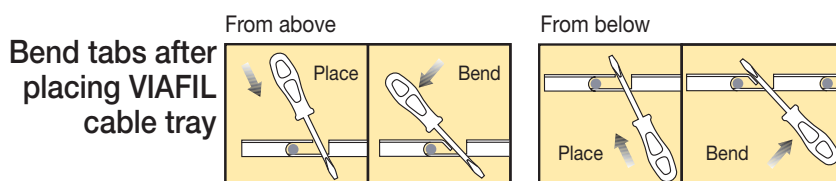


| Reference | Cable tray width | A | Weight kg/pc. | pcs./pack |
|---------------|------------------|-----|---------------|-----------|
| SSH50S | 500 | 541 | 1,30 | 5 |
| SSH60S | 600 | 641 | 1,58 | 5 |
| SSH50G | 500 | 541 | 1,43 | 5 |
| SSH60G | 600 | 641 | 1,74 | 5 |

For fixation over a "C" profile use 2 TE1015Z3 bolts with TG10Z3 guided locknuts.



| Support load capacity | | |
|-----------------------|------------------|----------|
| Reference | Cable tray width | Load (N) |
| SSH10.. | 100 | 1000 |
| SSH15.. | 150 | 1000 |
| SSH20.. | 200 | 1000 |
| SSH30.. | 300 | 1000 |
| SSH40.. | 400 | 1000 |
| SSH50.. | 500 | 1500 |
| SSH60.. | 600 | 1500 |

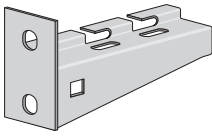


INSTA-FIX support for wall or "C" profile

Coatings:

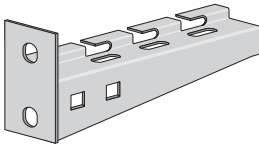
G Hot dip galvanized

INSTA-FIX
system



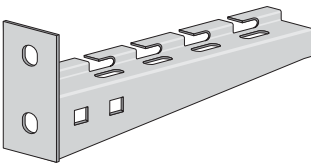
| Reference | Cable tray width | Weight kg/pc. | pcs./pack |
|---------------|------------------|---------------|-----------|
| SIC10G | 100 | 0,19 | 10 |

INSTA-FIX
system



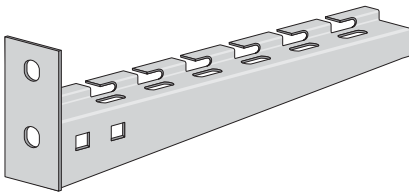
| Reference | Cable tray width | Weight kg/pc. | pcs./pack |
|---------------|------------------|---------------|-----------|
| SIC15G | 150 | 0,22 | 10 |

INSTA-FIX
system



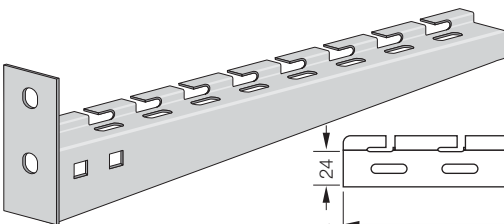
| Reference | Cable tray width | Weight kg/pc. | pcs./pack |
|---------------|------------------|---------------|-----------|
| SIC20G | 200 | 0,37 | 10 |

INSTA-FIX
system

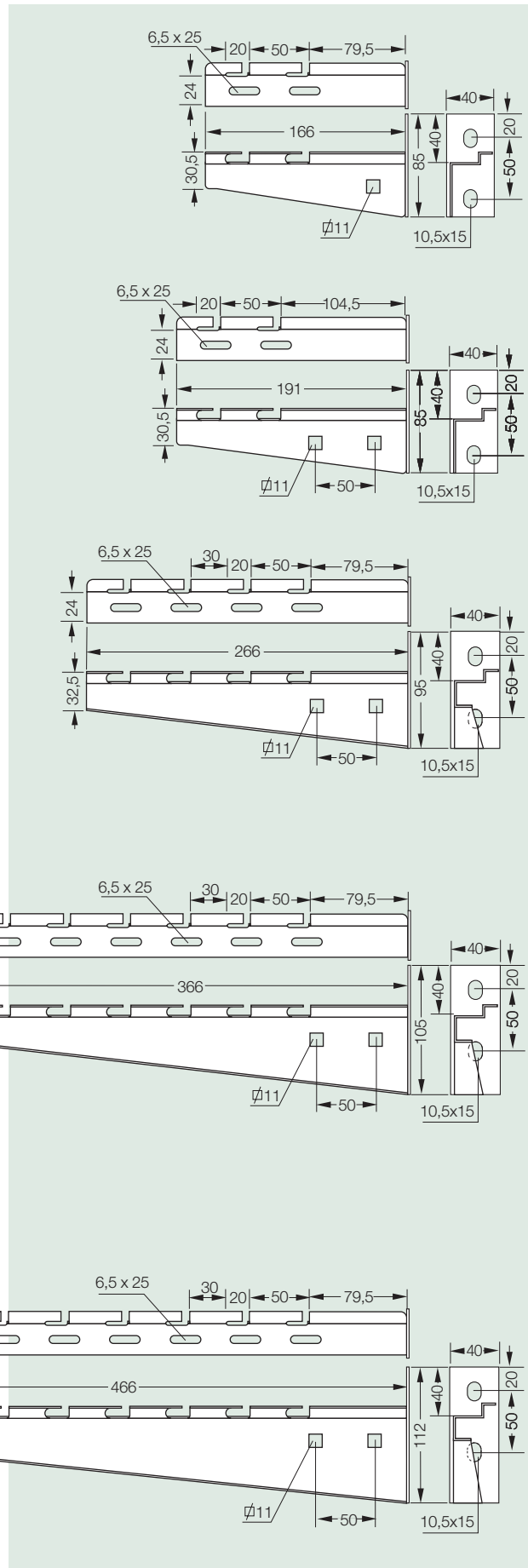


| Reference | Cable tray width | Weight kg/pc. | pcs./pack |
|---------------|------------------|---------------|-----------|
| SIC30G | 300 | 0,55 | 10 |

INSTA-FIX
system

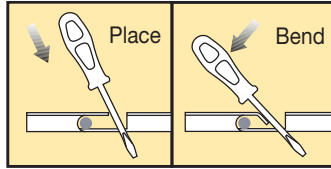


| Reference | Cable tray width | Weight kg/pc. | pcs./pack |
|---------------|------------------|---------------|-----------|
| SIC40G | 400 | 0,73 | 5 |

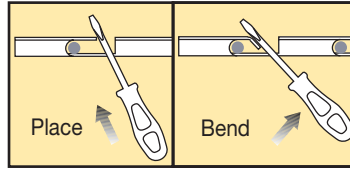


Bend tabs after placing VIAFIL cable tray

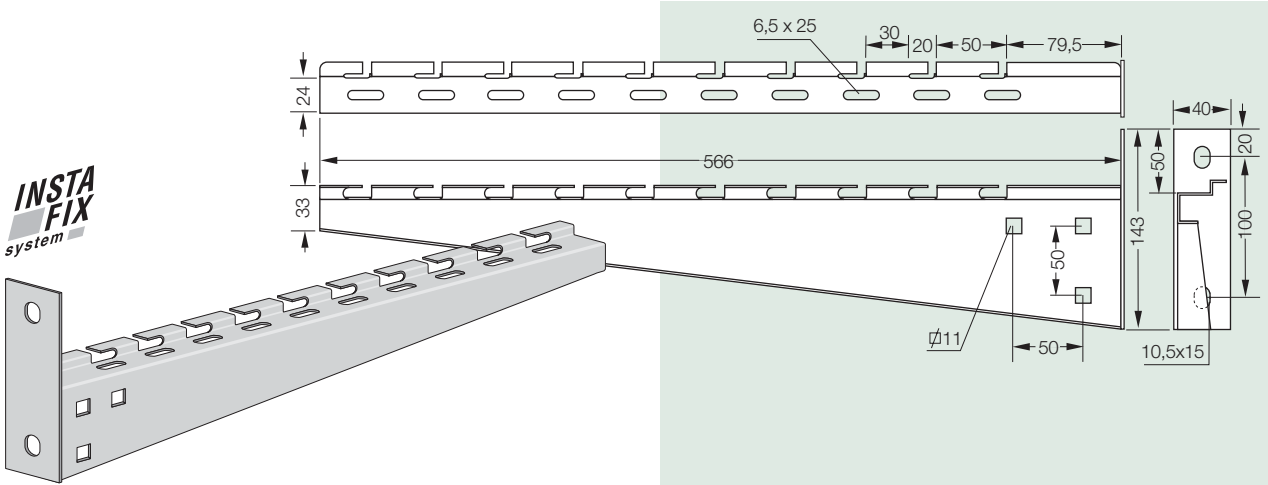
From above



From below

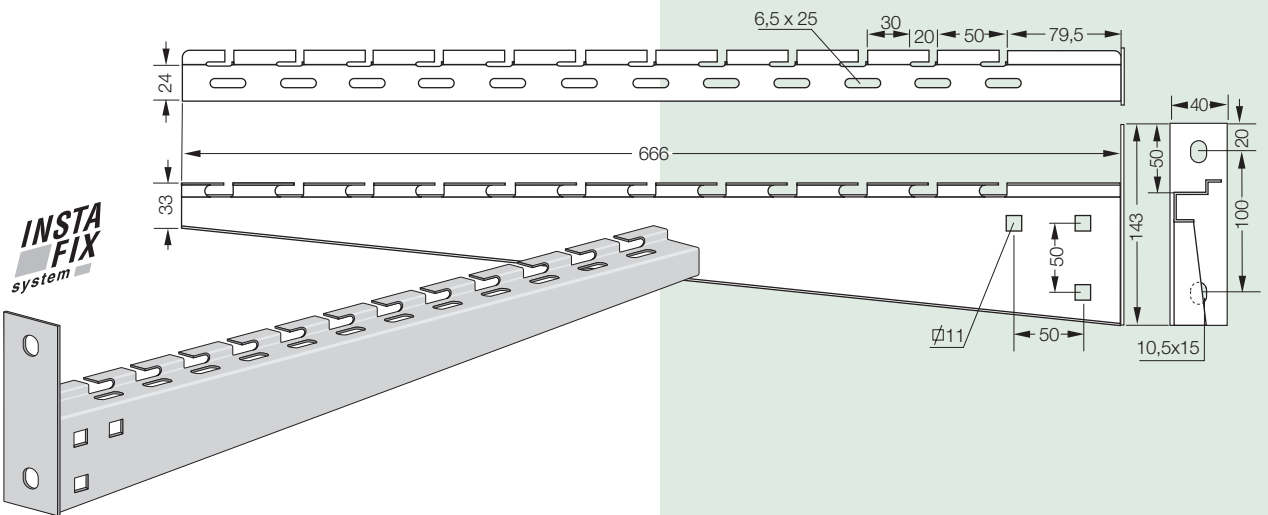


**INSTA
FIX**
system



| Reference | Cable tray width | Weight kg/pc. | pcs./pack |
|---------------|------------------|---------------|-----------|
| SIC50G | 500 | 0,88 | 5 |

**INSTA
FIX**
system

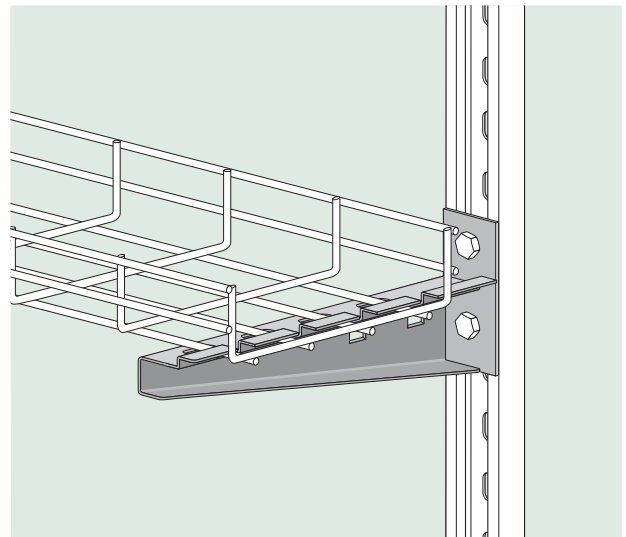


| Reference | Cable tray width | Weight kg/pc. | pcs./pack |
|---------------|------------------|---------------|-----------|
| SIC60G | 600 | 1,19 | 5 |

For fixation over "C" profile use 2 TE1015Z3 bolts with TG10Z3 guided locknuts.

Support load capacity

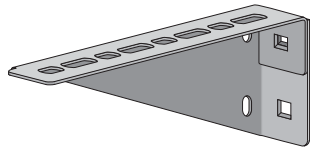
| Reference | Cable tray width | Load (N) |
|---------------|------------------|----------|
| SIC10G | 100 | 1000 |
| SIC15G | 150 | 1000 |
| SIC20G | 200 | 1000 |
| SIC30G | 300 | 1000 |
| SIC40G | 400 | 1000 |
| SIC50G | 500 | 1500 |
| SIC60G | 600 | 1500 |



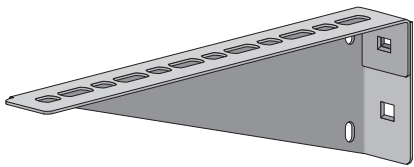
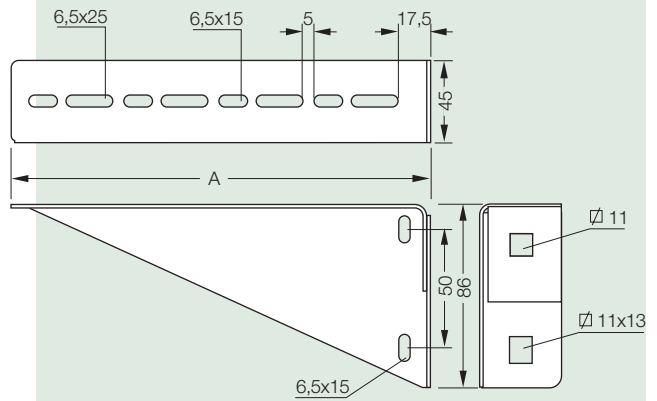
Support for wall or "C" profile

Coatings:

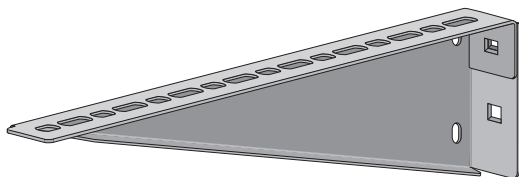
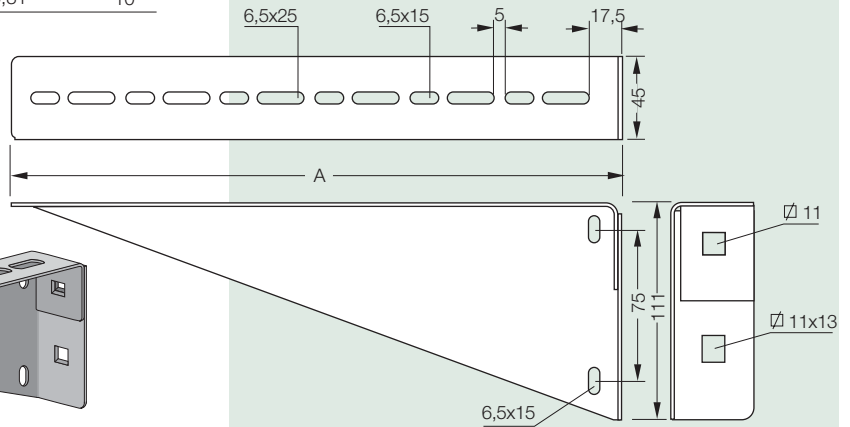
| | |
|----------|---|
| S | Sendzimir galvanized |
| G | Hot dip galvanized |
| I | Stainless steel AISI 304L/316L Passivated |



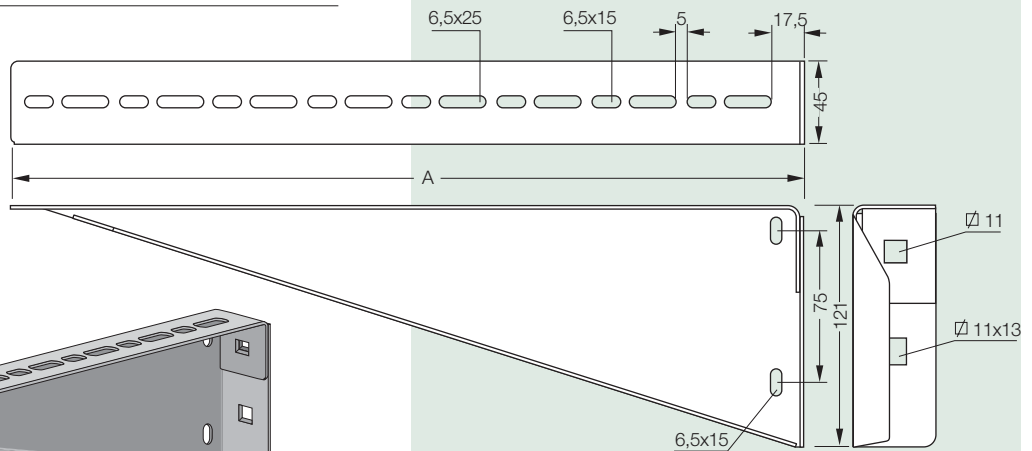
| Reference | Cable tray width | A | Weight kg/pc. | pcs./pack |
|---------------|------------------|-----|---------------|-----------|
| SHE10S | 100 | 122 | 0,22 | 10 |
| SHE15S | 150 | 172 | 0,28 | 10 |
| SHE20S | 200 | 222 | 0,31 | 10 |
| SHE10G | 100 | 122 | 0,24 | 10 |
| SHE15G | 150 | 172 | 0,31 | 10 |
| SHE20G | 200 | 222 | 0,34 | 10 |
| SHE10I | 100 | 122 | 0,22 | 10 |
| SHE15I | 150 | 172 | 0,28 | 10 |
| SHE20I | 200 | 222 | 0,31 | 10 |

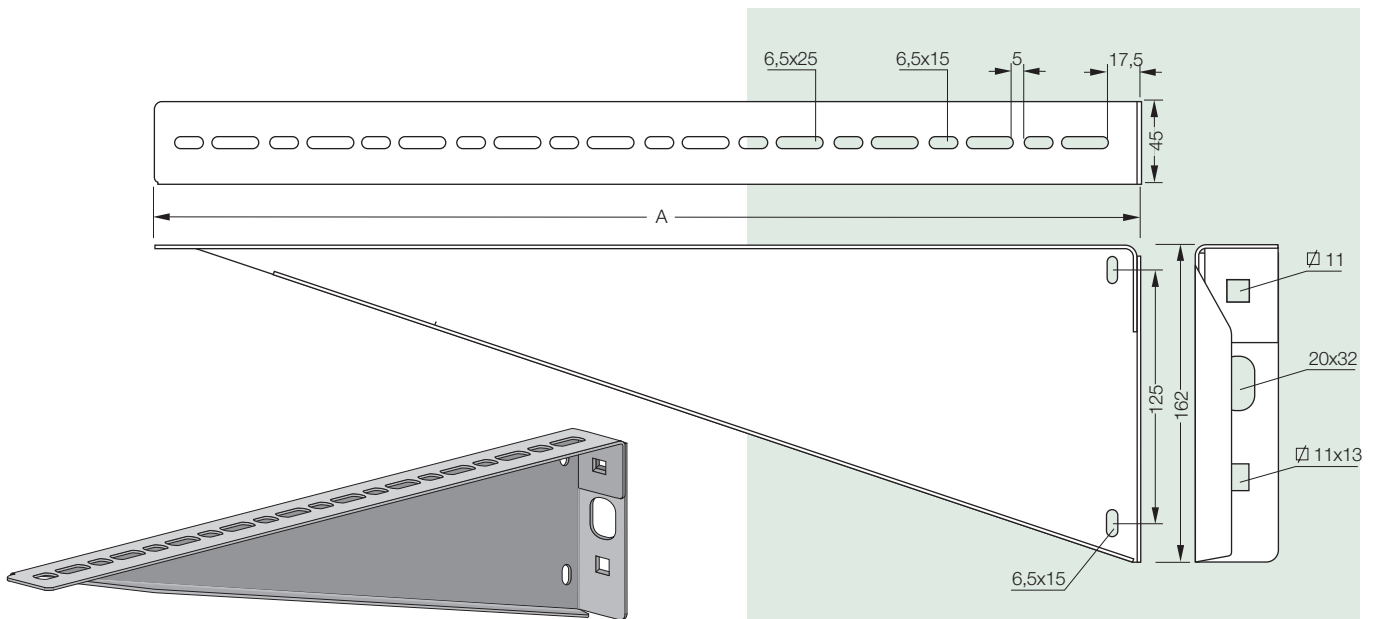


| Reference | Cable tray width | A | Weight kg/pc. | pcs./pack |
|---------------|------------------|-----|---------------|-----------|
| SHE30S | 300 | 322 | 0,55 | 10 |
| SHE30G | 300 | 322 | 0,61 | 10 |
| SHE30I | 300 | 322 | 0,55 | 10 |



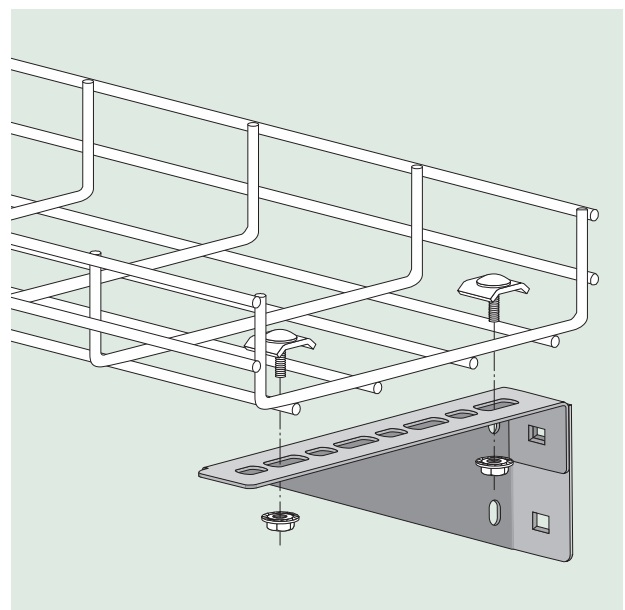
| Reference | Cable tray width | A | Weight kg/pc. | pcs./pack |
|---------------|------------------|-----|---------------|-----------|
| SHE40S | 400 | 422 | 0,86 | 5 |
| SHE40G | 400 | 422 | 0,95 | 5 |
| SHE40I | 400 | 422 | 0,86 | 5 |





| Reference | Cable tray width | A | Weight kg/pc. | pcs./pack |
|---------------|------------------|-----|---------------|-----------|
| SHE50S | 500 | 522 | 1,14 | 5 |
| SHE60S | 600 | 622 | 1,42 | 5 |
| SHE50G | 500 | 522 | 1,25 | 5 |
| SHE60G | 600 | 622 | 1,56 | 5 |
| SHE50I | 500 | 522 | 1,14 | 5 |
| SHE60I | 600 | 622 | 1,42 | 5 |

For fixation over a "C" profile use 2 TE1015Z3 bolts with TG10Z3 guided locknuts.



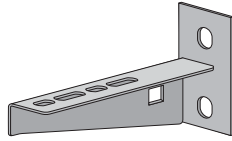
Support load capacity

| Reference | Cable tray width | Load (N) |
|----------------|------------------|----------|
| SHE10.. | 100 | 1000 |
| SHE15.. | 150 | 1000 |
| SHE20.. | 200 | 1000 |
| SHE30.. | 300 | 1000 |
| SHE40.. | 400 | 1000 |
| SHE50.. | 500 | 1500 |
| SHE60.. | 600 | 1500 |

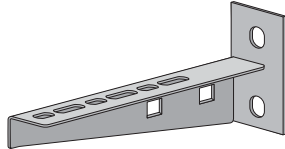
Support for wall or "C" profile

Coatings:

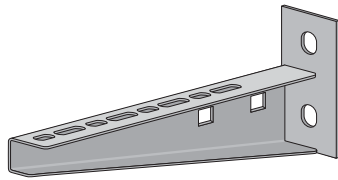
G Hot dip galvanized



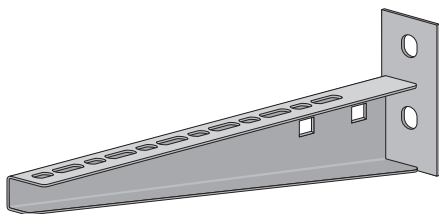
| Reference | Cable tray width | Weight kg/pc. | pcs./pack |
|---------------|------------------|---------------|-----------|
| SEC10G | 100 | 0,15 | 10 |



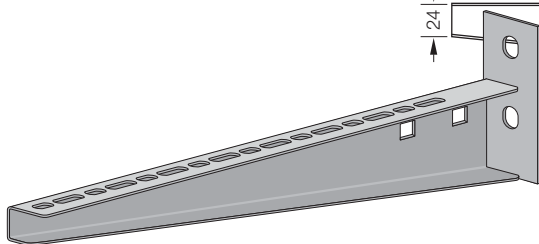
| Reference | Cable tray width | Weight kg/pc. | pcs./pack |
|---------------|------------------|---------------|-----------|
| SEC15G | 150 | 0,19 | 10 |



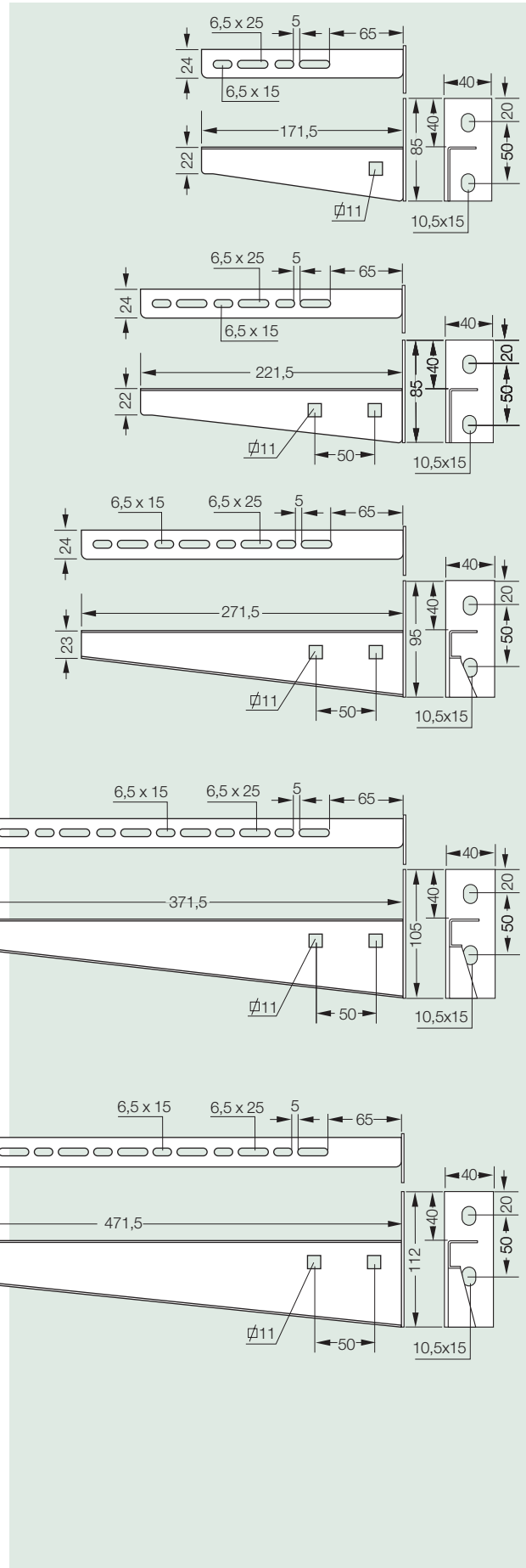
| Reference | Cable tray width | Weight kg/pc. | pcs./pack |
|---------------|------------------|---------------|-----------|
| SEC20G | 200 | 0,31 | 10 |

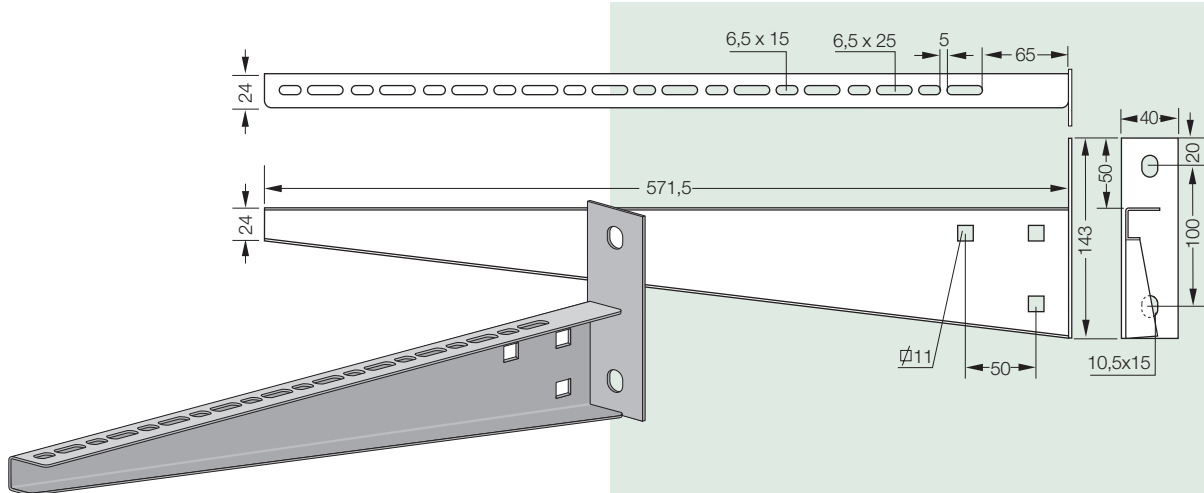


| Reference | Cable tray width | Weight kg/pc. | pcs./pack |
|---------------|------------------|---------------|-----------|
| SEC30G | 300 | 0,45 | 10 |

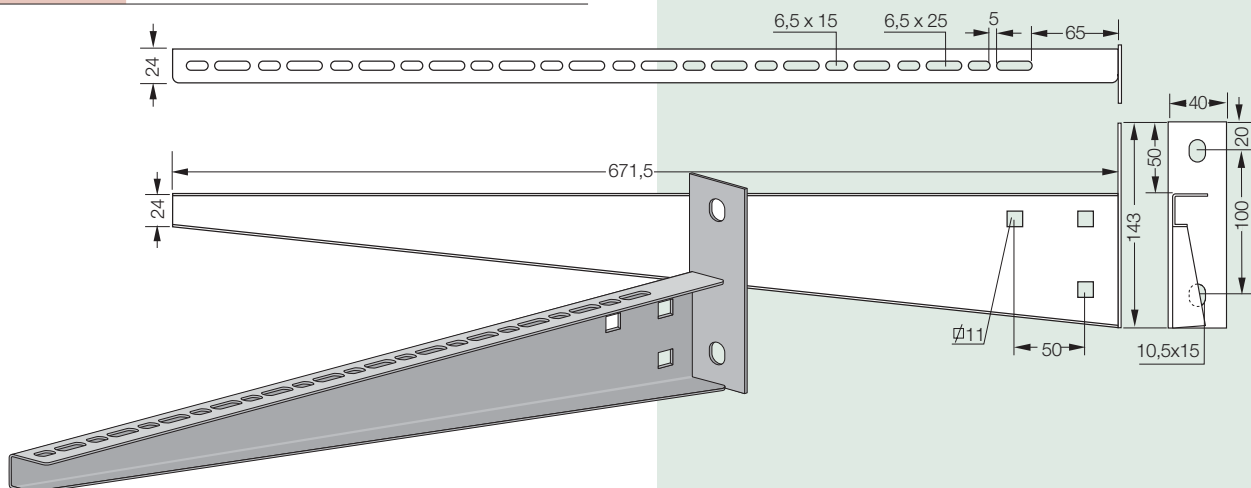


| Reference | Cable tray width | Weight kg/pc. | pcs./pack |
|---------------|------------------|---------------|-----------|
| SEC40G | 400 | 0,61 | 5 |



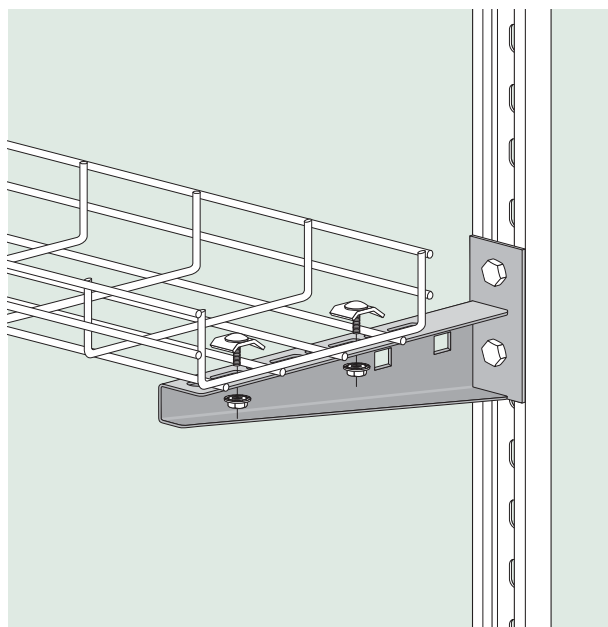


| Reference | Cable tray width | Weight kg/pc. | pcs./pack |
|---------------|------------------|---------------|-----------|
| SEC50G | 500 | 0,85 | 5 |



| Reference | Cable tray width | Weight kg/pc. | pcs./pack |
|---------------|------------------|---------------|-----------|
| SEC60G | 600 | 1,02 | 5 |

For fixation over a "C" profile use 2 TE1015Z3 bolts with TG10Z3 guided locknuts.



Support load capacity

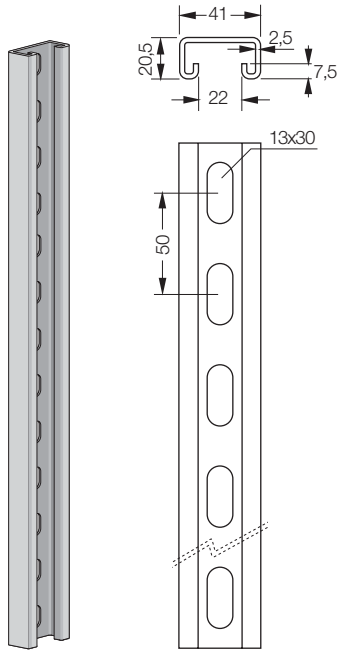
| Reference | Cable tray width | Load (N) |
|---------------|------------------|----------|
| SEC10G | 100 | 1000 |
| SEC15G | 150 | 1000 |
| SEC20G | 200 | 1000 |
| SEC30G | 300 | 1000 |
| SEC40G | 400 | 1000 |
| SEC50G | 500 | 1500 |
| SEC60G | 600 | 1500 |

All measurements in mm

Elements for supports

“C21” profile (41 x 21 mm)

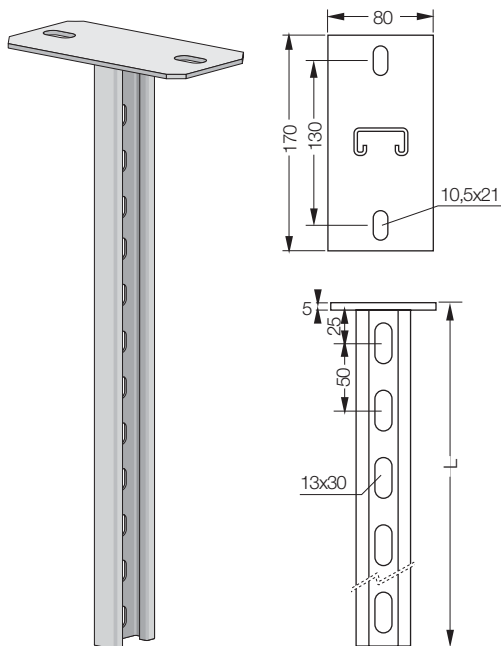
Length 3 m



| Reference | Weight kg/u | pcs./pack |
|-----------|-------------|-----------|
| PCS | 1,73 | 12 |
| PCG | 1,90 | 12 |

To be used with SSH..., SHE..., SIC and SEC supports fixing them with TE1015Z3 bolts and TG10Z3 guided locknuts.
Use SO “OMEGA” supports fixing them with TE835Z3 bolts, TG8Z3 guided locknuts and TSOZ3 shims.

“C21” profile with head plate



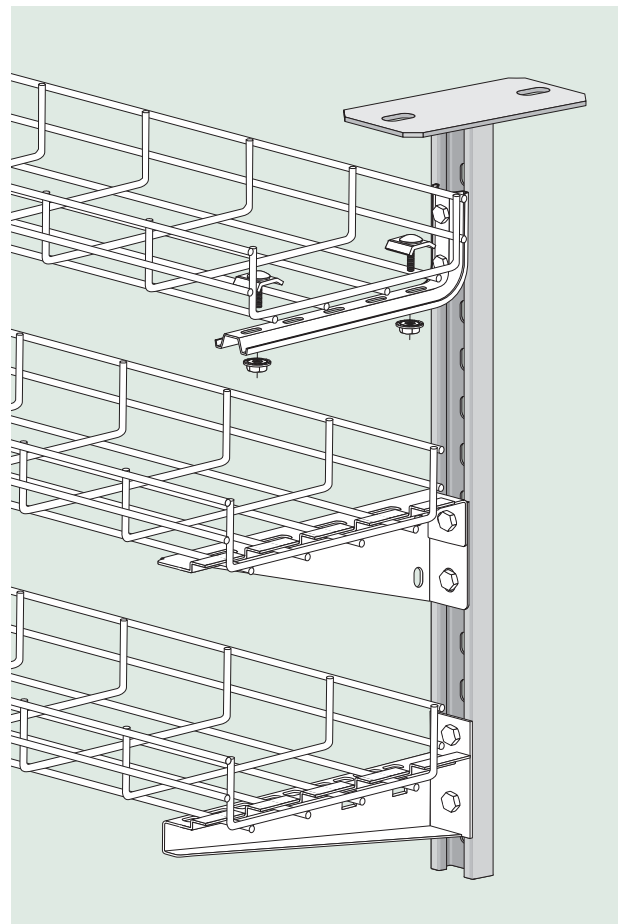
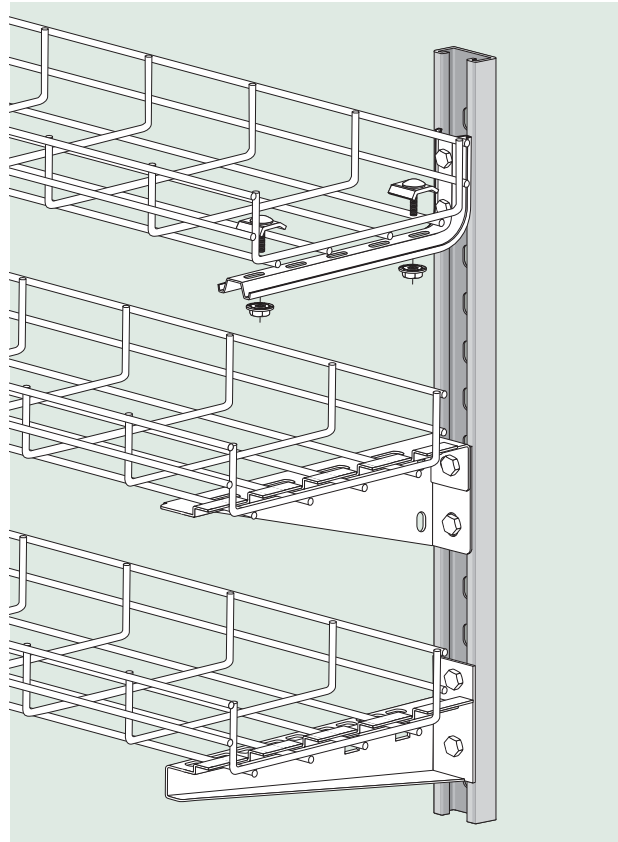
| Reference | L | Weight kg/u | pcs./pack |
|-----------|------|-------------|-----------|
| PCB50G | 500 | 1,62 | 1 |
| PCB100G | 1000 | 2,57 | 1 |

To be used with SSH..., SHE..., SIC and SEC supports fixing them with TE1015Z3 bolts and TG10Z3 guided locknuts.
Use SO “OMEGA” supports fixing them with TE835Z3 bolts, TG8Z3 guided locknuts and TSOZ3 shims.
All measurements in mm

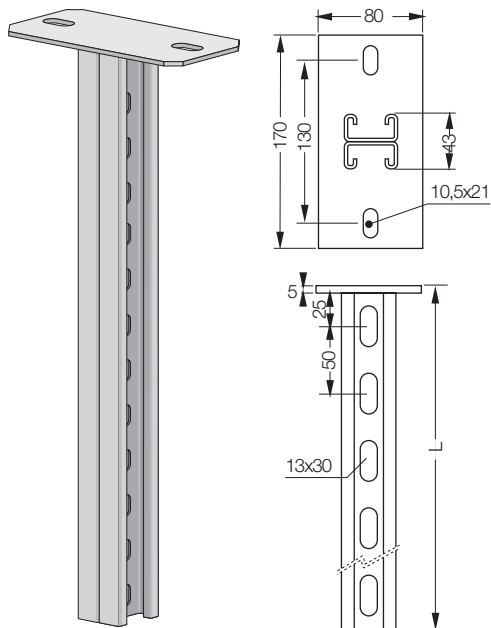
Coatings:

| | |
|----|-----------------------|
| Z3 | Ecologic zinc plating |
| S | Sendzimir galvanized |
| G | Hot dip galvanized |

MULTIVIA®

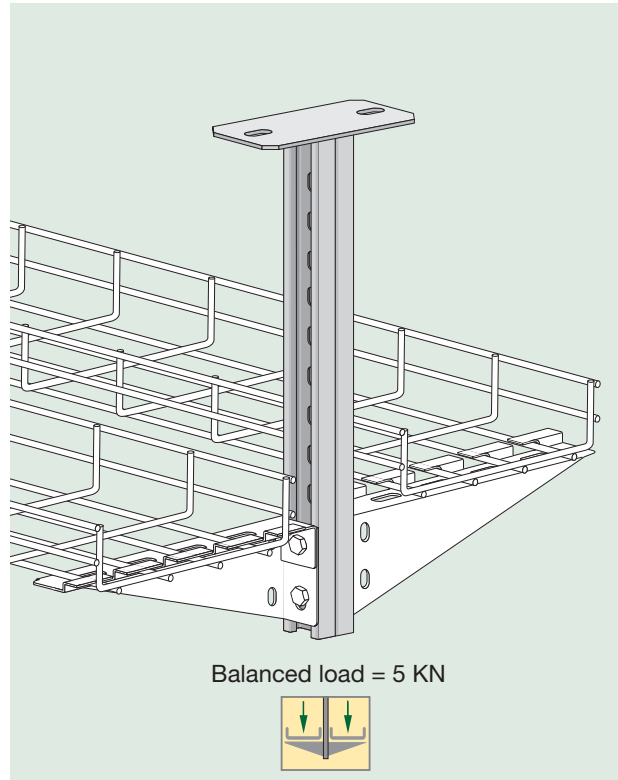


Double "C21" profile with head plate

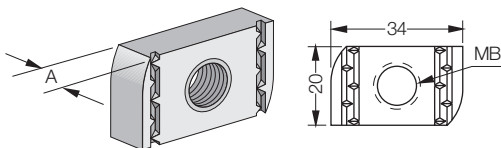


| Reference | L | Weight kg/u | pcs./pack |
|-----------------|------|-------------|-----------|
| PDCB50G | 500 | 2,57 | 1 |
| PDCB100G | 1000 | 4,48 | 1 |

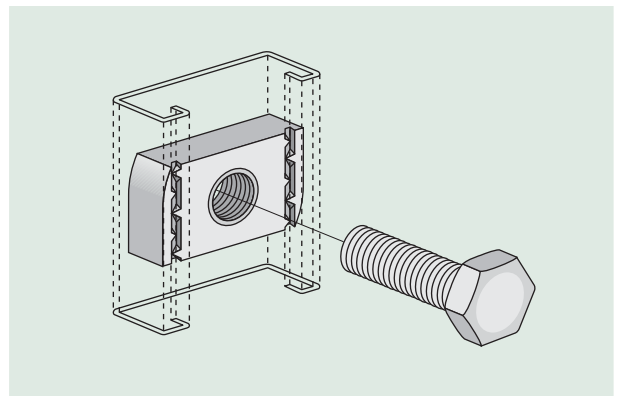
To be used with SSH.., SHE.., SIC and SEC supports fixing them with TE1015Z3 bolts and TG10Z3 guided locknuts.



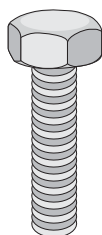
Guided locknut for "C" profiles



| Reference | Thread | A | Weight kg/m | pcs./pack |
|---------------|--------|---|-------------|-----------|
| TG8Z3 | M8 | 6 | 0,03 | 50 |
| TG10Z3 | M10 | 8 | 0,03 | 50 |



Hexagonal bolt for guided locknut



| Reference | Thread | Weight kg/m | pcs./pack |
|-----------------|----------|-------------|-----------|
| TE835Z3 | M8 x 35 | 0,03 | 50 |
| TE1015Z3 | M10 x 15 | 0,02 | 50 |

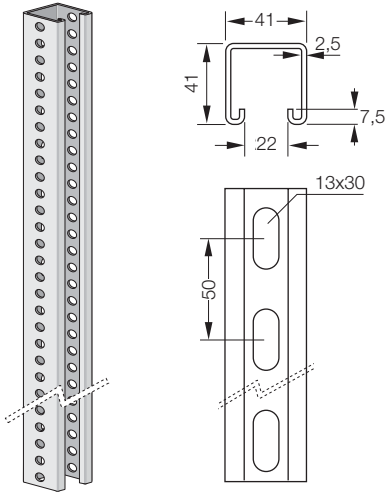
Use M8 for SO "OMEGA" supports
Use M10 for SSH..,SHE.., SIC and SEC supports

All measurements in mm

Elements for supports

"C41" Profile (41 x 41 mm)

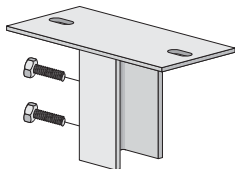
Length 3 m



| Reference | Weight kg/u | pcs./pack |
|-------------|-------------|-----------|
| PRCS | 2,36 | 50 |
| PRCG | 2,60 | 50 |

With load applied only at one side, use SHE..., SSH..., SIC or SEC supports fastening them with TE1015Z3 bolts and TG10Z3 guided locknuts. With even loads on both sides use 2 TE1070Z3 bolts and C6923.10Z3 toothed locknuts.

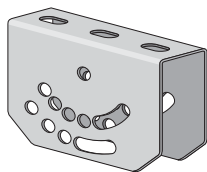
Head plate for "C" profile



| Reference | Weight kg/u | pcs./pack |
|-------------|-------------|-----------|
| CPCG | 0,78 | 50 |

Use 2 TCA1025G bolts with toothed locknuts.

Head plate for "C41" profile



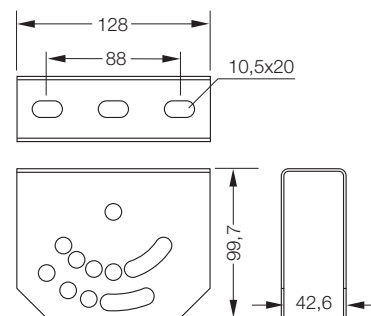
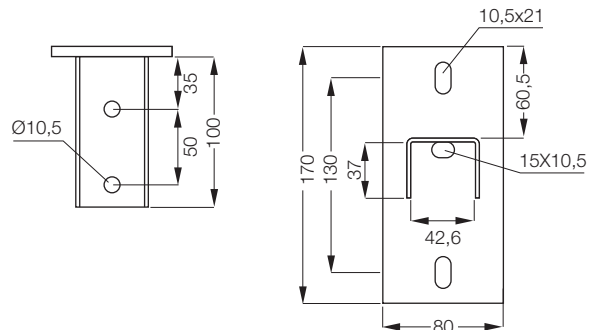
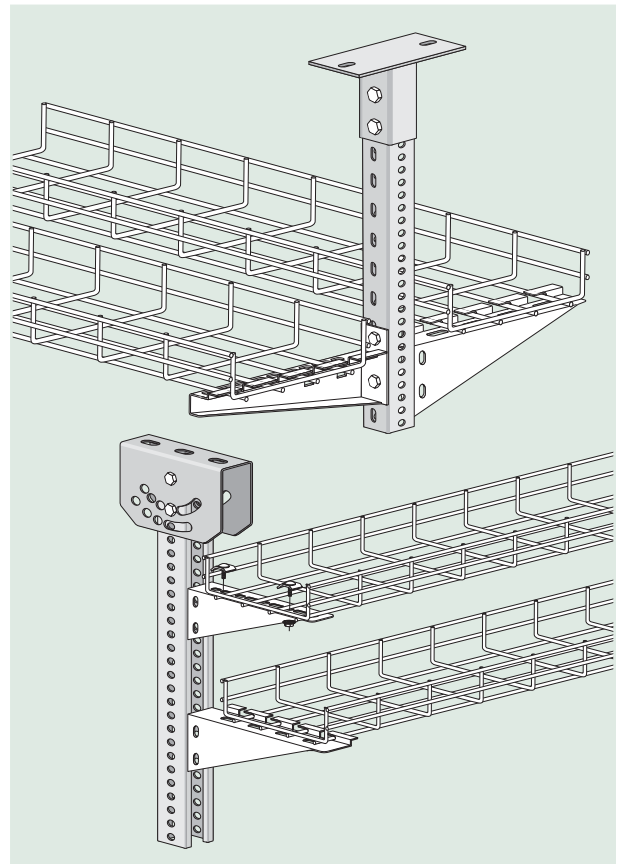
| Reference | Weight kg/u | pcs./pack |
|-------------|-------------|-----------|
| CICS | 0,51 | 50 |

(For vertical or inclined hanging up to 60° in both directions. For vertical hanging use 2 TE1070Z3 bolts and C6923.10Z3 toothed locknuts. For inclined hanging use 1 TE1070Z3 bolt, 2 TE1015Z3 bolts and 3 C6923.10Z3 toothed locknuts.)

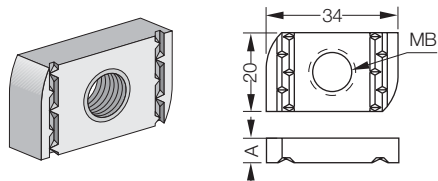
Coatings:

| | |
|-----------|-----------------------|
| Z3 | Ecologic zinc plating |
| S | Sendzimir galvanized |
| G | Hot dip galvanized |

MULTIVIA®

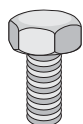


Guided locknut for "C" profile



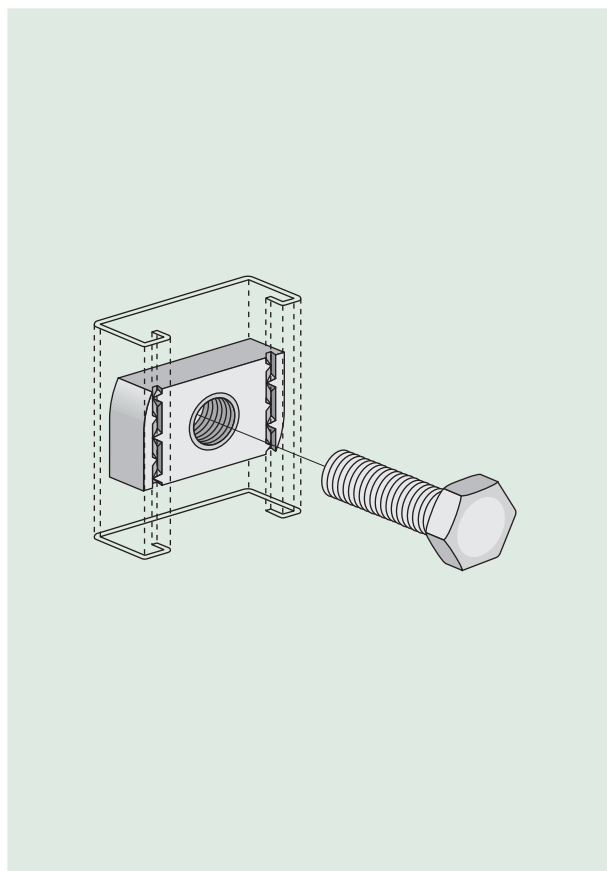
| Reference | Thread | Weight kg/m | pcs./pack |
|---------------|--------|-------------|-----------|
| TG8Z3 | M8 | 0,03 | 50 |
| TG10Z3 | M10 | 0,03 | 50 |

Bolt with hexagonal head

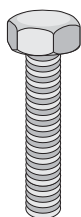


| Reference | Thread | Weight kg/m | pcs./pack |
|-----------------|----------|-------------|-----------|
| TE835Z3 | M8 x 35 | 0,03 | 50 |
| TE1015Z3 | M10 x 15 | 0,02 | 50 |

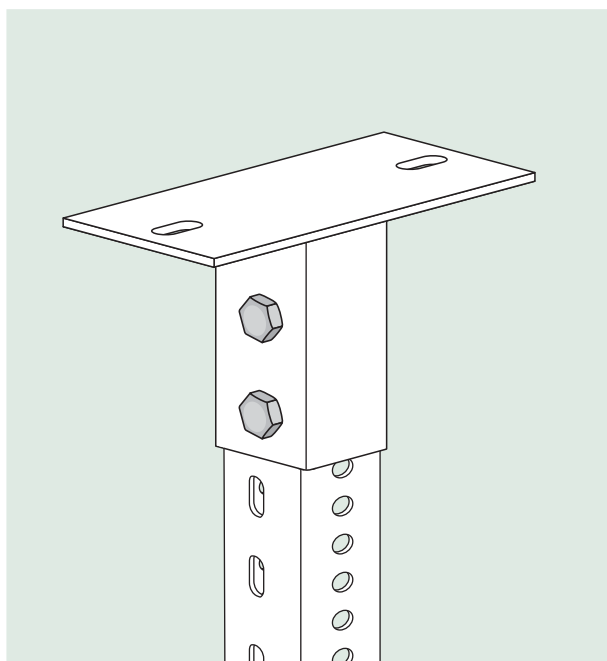
Use M8 for SO.. "OMEGA" supports.
Use M10 for SSH..., SHE..., SIC and SEC supports.



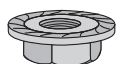
Bolt with hexagonal head for "C41" profile



| Reference | Thread | Weight kg/m | pcs./pack |
|-----------------|----------|-------------|-----------|
| TE1070Z3 | M10 x 70 | 0,04 | 50 |

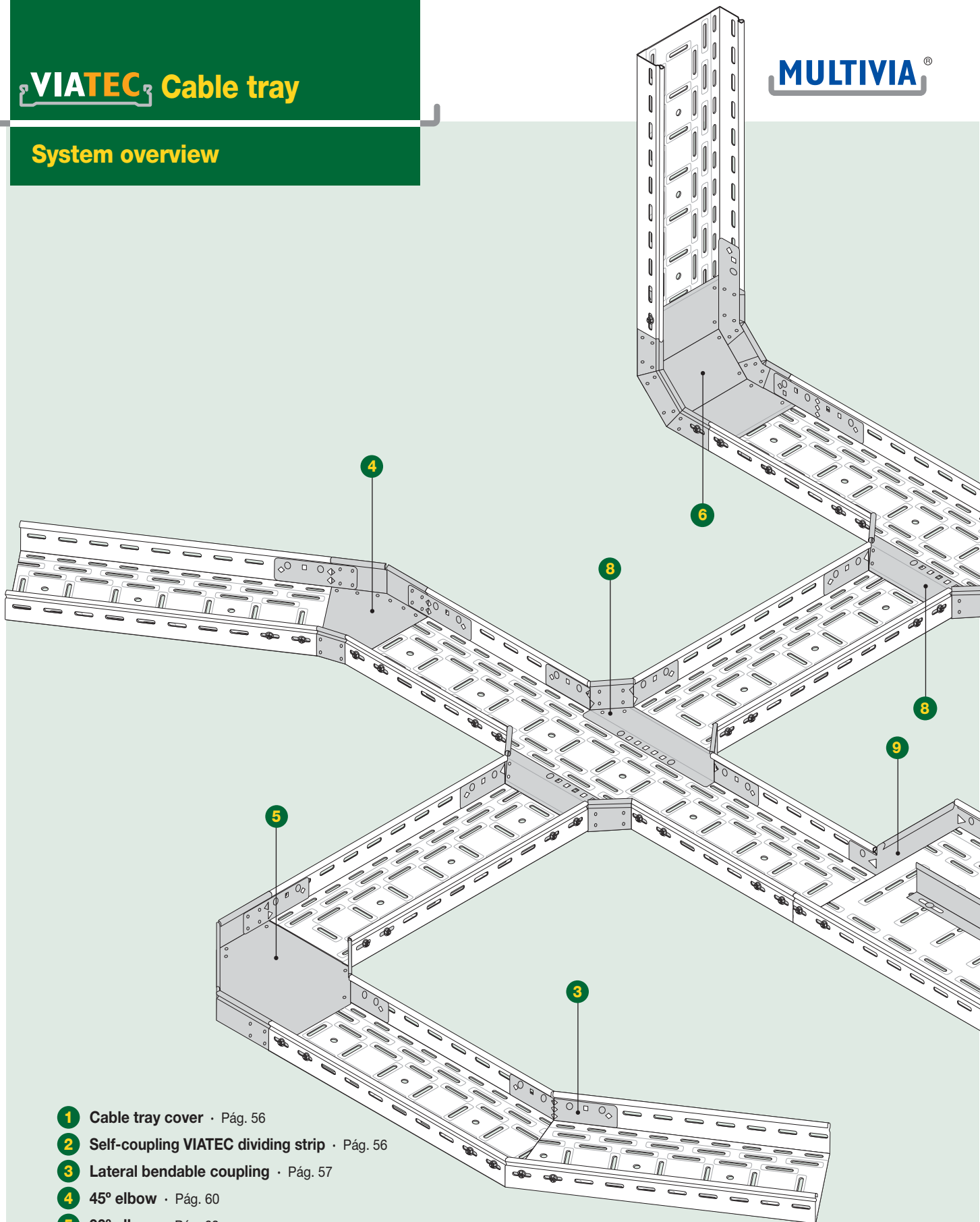


Toothed locknut for "C41" profile



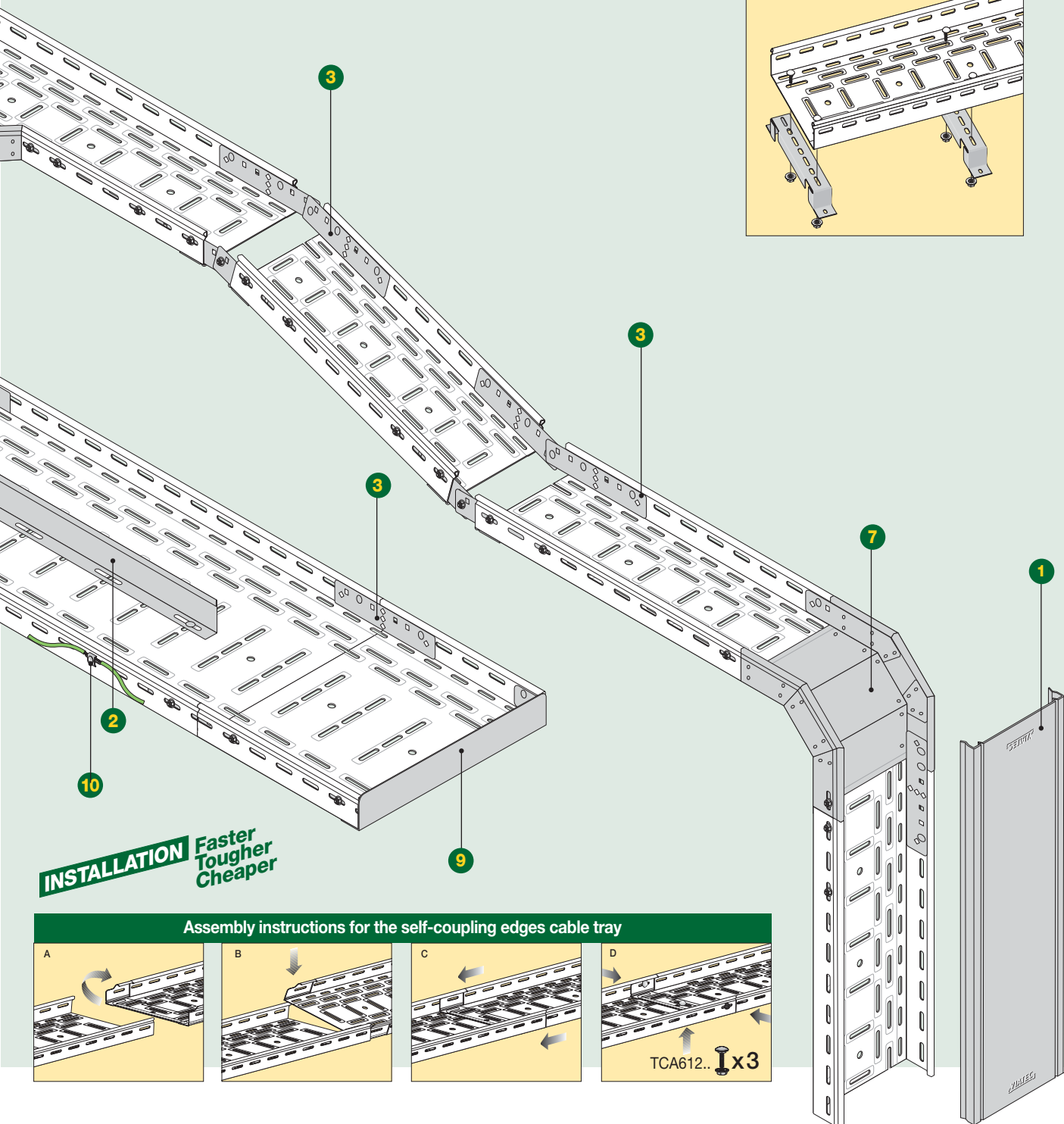
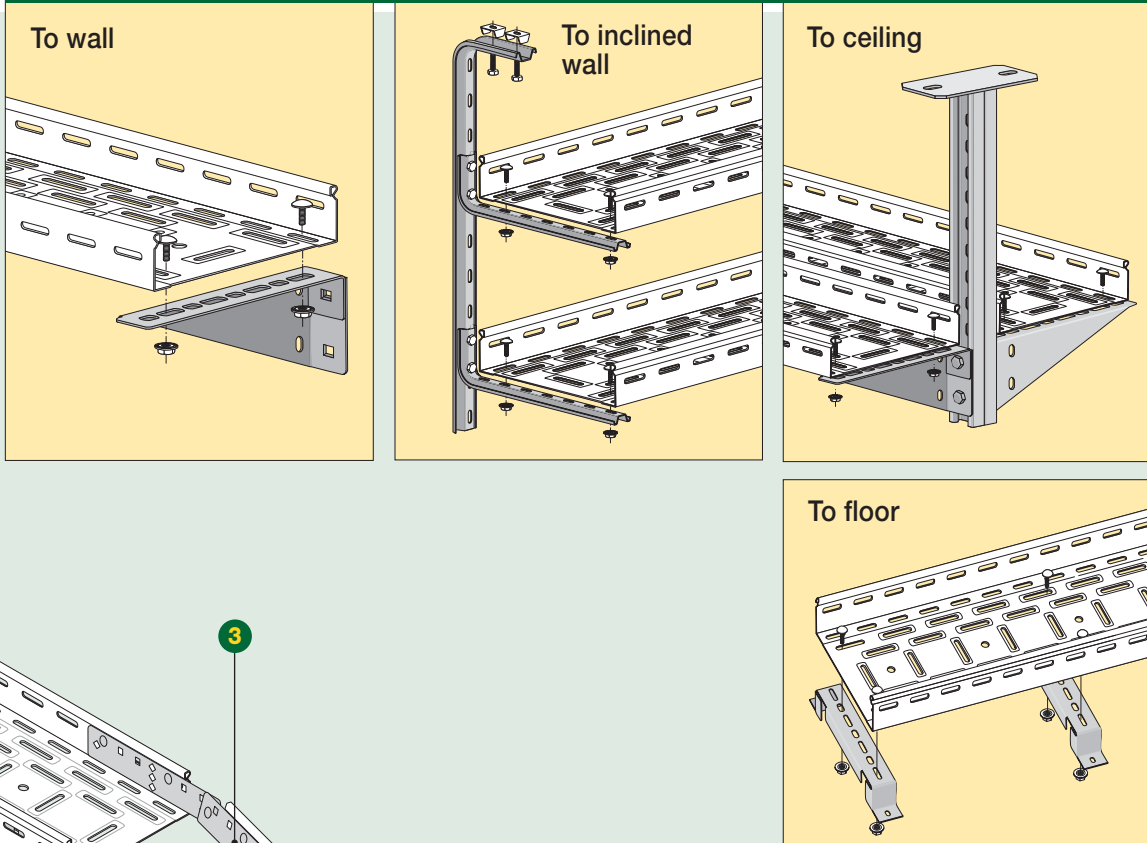
| Reference | Thread | Weight kg/m | pcs./pack |
|-------------------|--------|-------------|-----------|
| C6923.10Z3 | M10 | 0,02 | 50 |

System overview

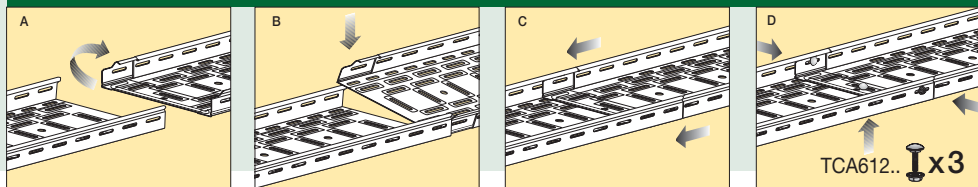


- 1 Cable tray cover · Pág. 56
- 2 Self-coupling VIATEC dividing strip · Pág. 56
- 3 Lateral bendable coupling · Pág. 57
- 4 45° elbow · Pág. 60
- 5 90° elbow · Pág. 62
- 6 90° inside bend · Pág. 64
- 7 90° outside bend · Pág. 66
- 8 Derivation · Pág. 68
- 9 Reduction or end piece · Pág. 70
- 10 Ground connection · Pág. 71

A whole range of supporting elements



Assembly instructions for the self-coupling edges cable tray

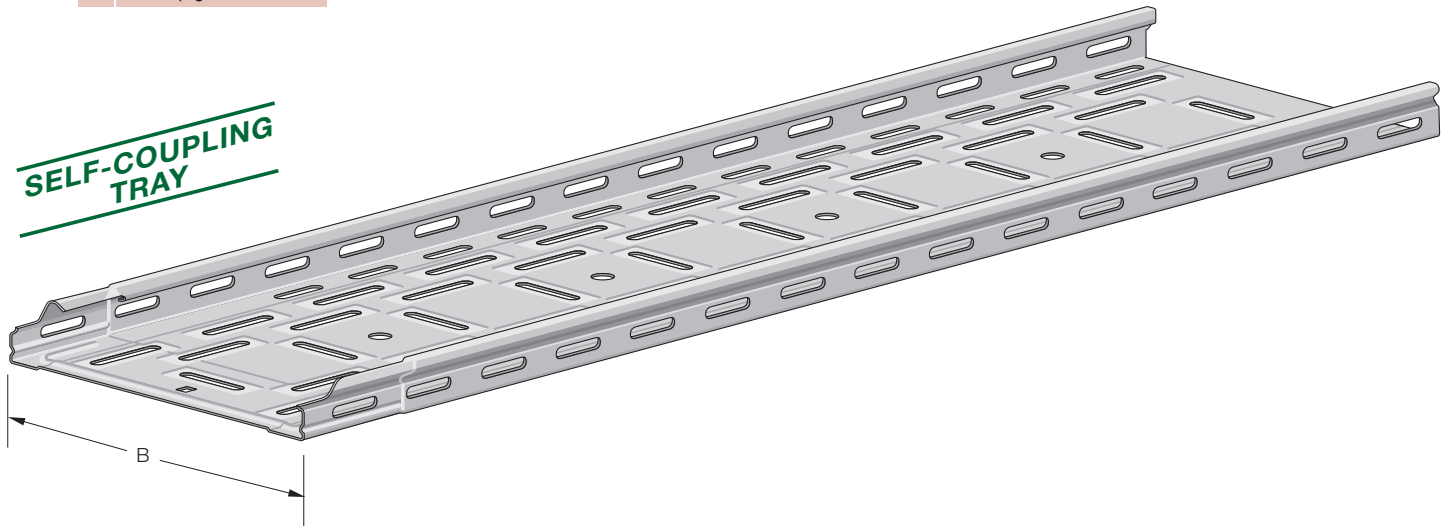


Sheet steel cable tray with protected edges

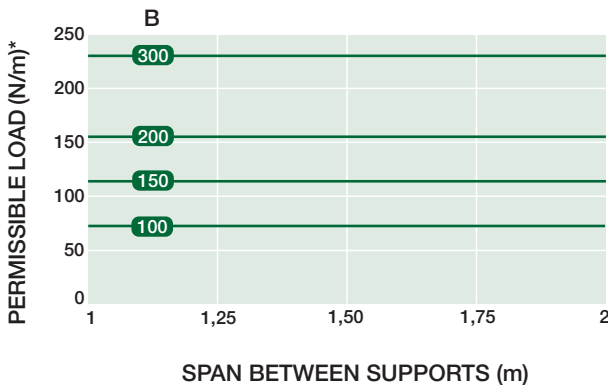
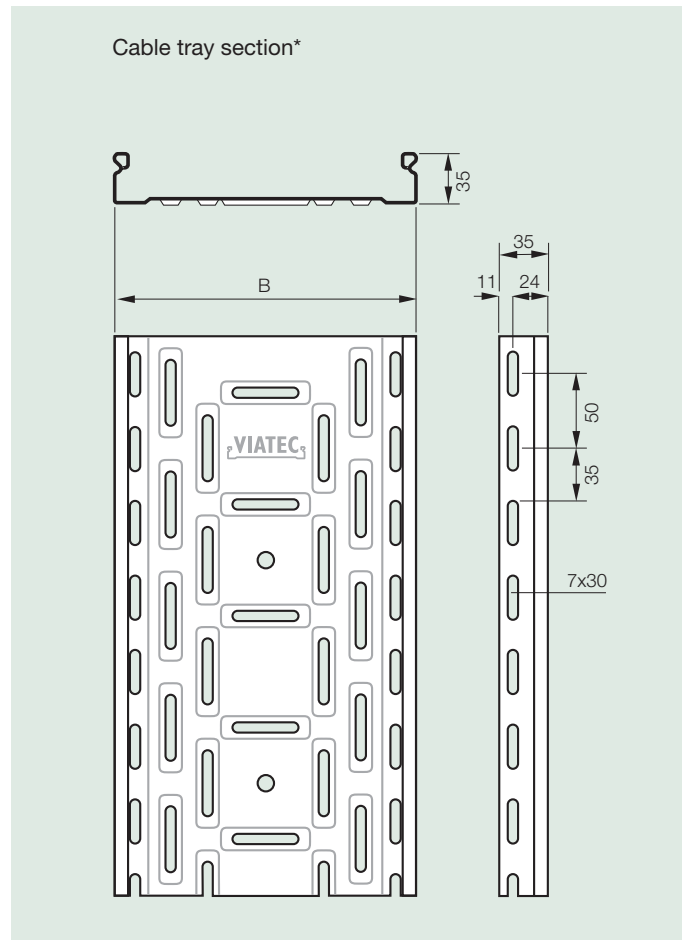
Length 3 m

Coatings:

| | |
|----------|----------------------|
| S | Sendzimir galvanized |
| G | Hot dip galvanized |



| Reference | B | Weight kg/m | Useful cross section mm ² | m/pack |
|---------------|-----|-------------|--------------------------------------|--------|
| P0310S | 100 | 0,72 | 2920 | 24 |
| P0315S | 150 | 0,89 | 4570 | 12 |
| P0320S | 200 | 1,24 | 6220 | 12 |
| P0330S | 300 | 2,00 | 9520 | 12 |
| P0310G | 100 | 0,85 | 2920 | 24 |
| P0315G | 150 | 1,03 | 4570 | 12 |
| P0320G | 200 | 1,43 | 6220 | 12 |
| P0330G | 300 | 2,29 | 9520 | 12 |



*Values obtained using 3 TCA612.. bolts with toothed locknut (1 on both sides and 1 on the bottom)

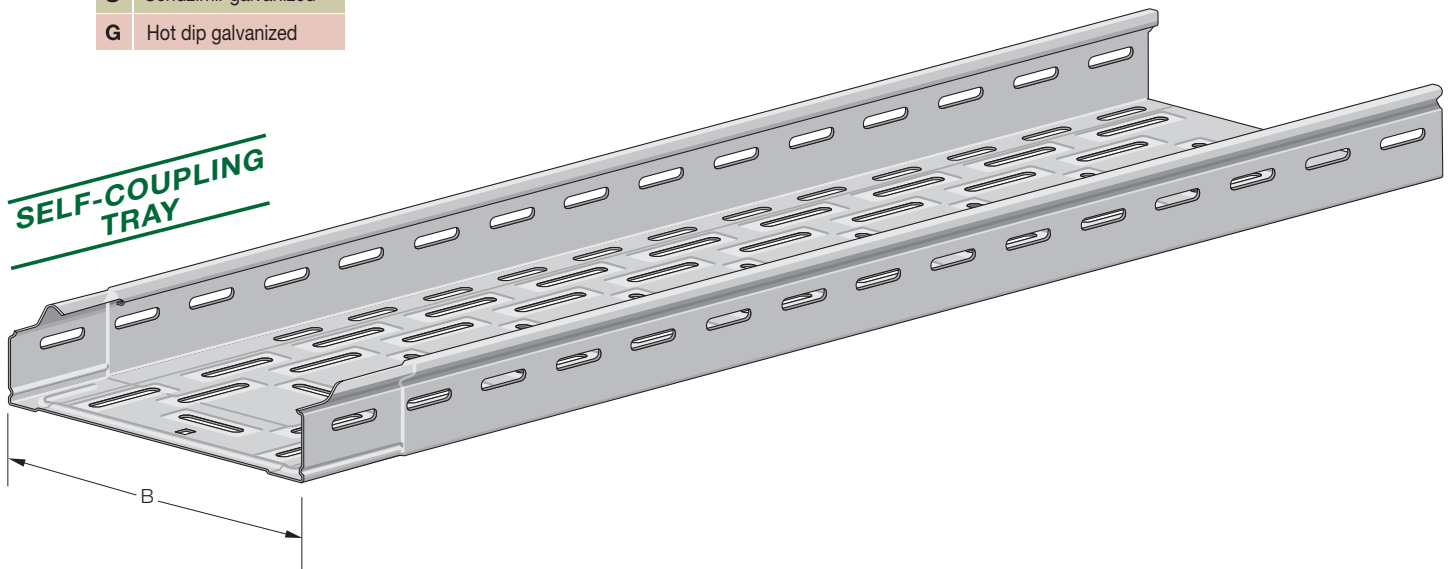
*See bottom perforation pattern on page 55.

Sheet steel cable tray with protected edges

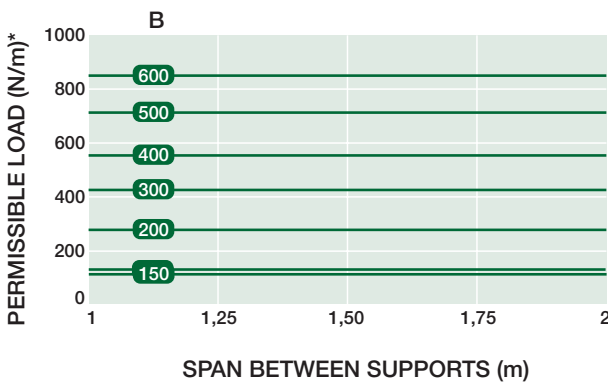
Length 3 m

Coatings:

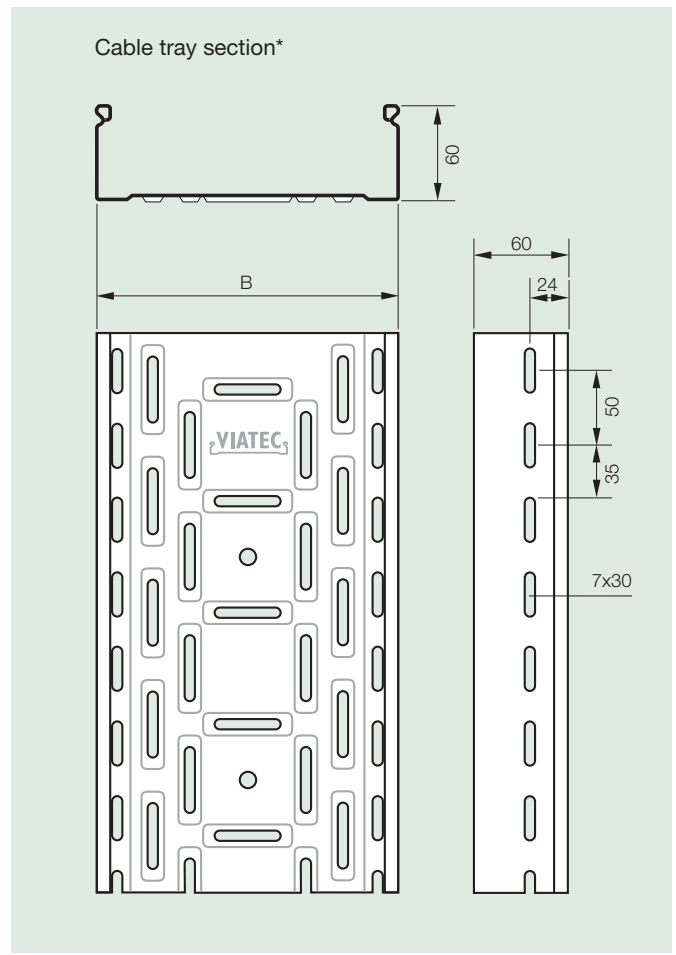
| | |
|----------|----------------------|
| S | Sendzimir galvanized |
| G | Hot dip galvanized |



| Reference | B | Weight kg/m | Useful cross section mm ² | m/pack |
|-----------|-----|-------------|--------------------------------------|--------|
| P0610S | 100 | 0,89 | 5320 | 12 |
| P0615S | 150 | 1,06 | 8220 | 12 |
| P0620S | 200 | 1,47 | 11120 | 12 |
| P0630S | 300 | 2,17 | 16920 | 6 |
| P0640S | 400 | 3,14 | 22720 | 6 |
| P0650S | 500 | 3,84 | 28520 | 6 |
| P0660S | 600 | 5,30 | 34400 | 6 |
| P0610G | 100 | 1,02 | 5320 | 12 |
| P0615G | 150 | 1,21 | 8220 | 12 |
| P0620G | 200 | 1,69 | 11120 | 12 |
| P0630G | 300 | 2,50 | 16920 | 6 |
| P0640G | 400 | 3,61 | 22720 | 6 |
| P0650G | 500 | 4,42 | 28520 | 6 |
| P0660G | 600 | 6,10 | 34400 | 6 |



*Values obtained using 3 TCA612.. bolts with toothed locknut (1 on both sides and 1 on the bottom)



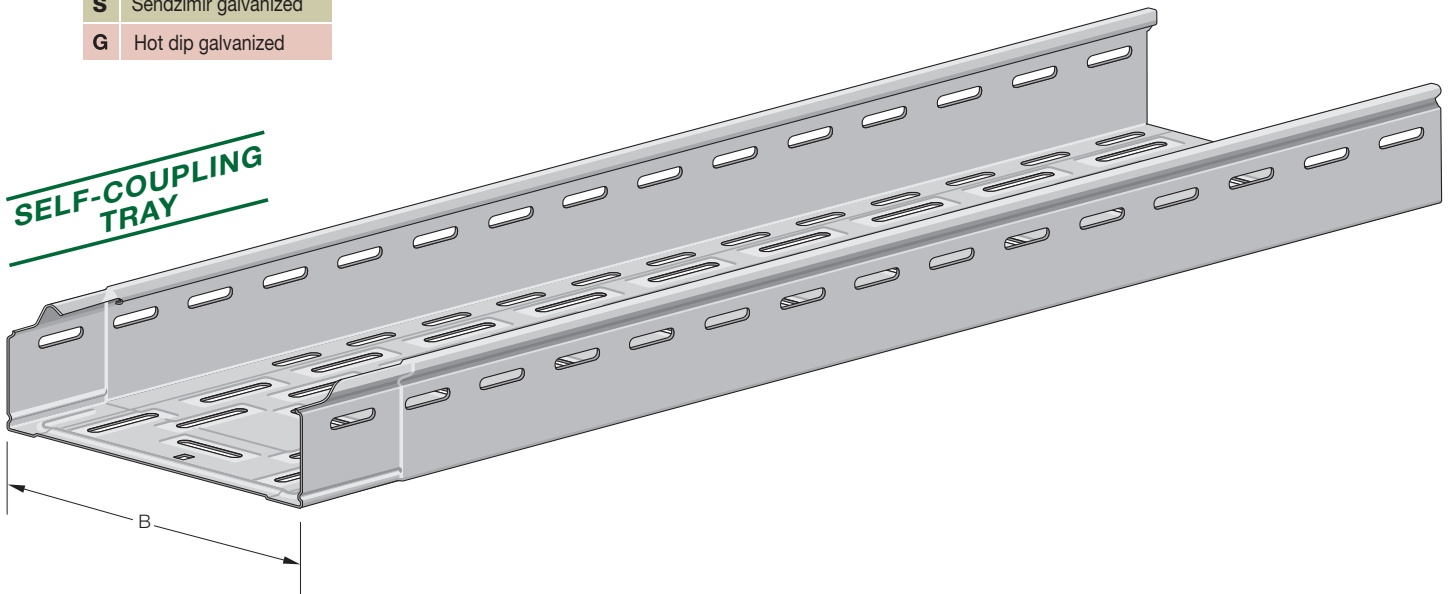
*See bottom perforation pattern on page 55.

Sheet steel cable tray with protected edges

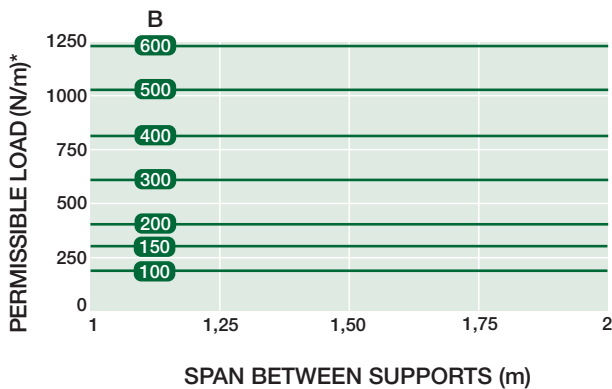
Length 3 m

Coatings:

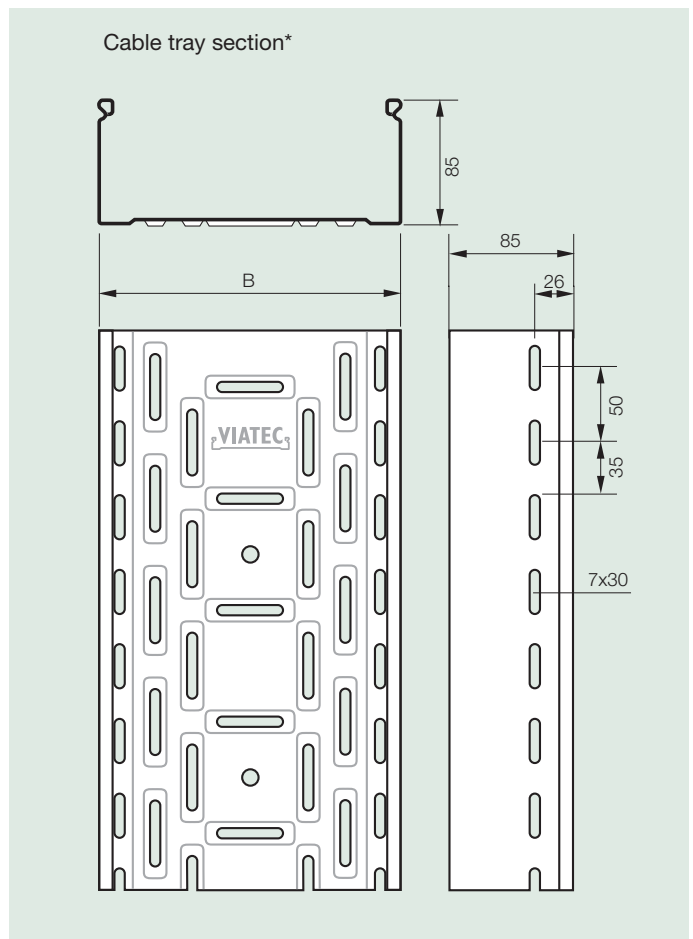
| | |
|----------|----------------------|
| S | Sendzimir galvanized |
| G | Hot dip galvanized |



| Reference | B | Weight kg/m | Useful cross section mm ² | m/pack |
|-----------|-----|-------------|--------------------------------------|--------|
| P0810S | 100 | 1,07 | 7720 | 12 |
| P0815S | 150 | 1,49 | 11870 | 12 |
| P0820S | 200 | 2,00 | 16020 | 6 |
| P0830S | 300 | 2,75 | 24320 | 6 |
| P0840S | 400 | 3,39 | 32620 | 6 |
| P0850S | 500 | 5,04 | 40520 | 6 |
| P0860S | 600 | 5,85 | 45220 | 6 |
| P0810G | 100 | 1,22 | 7720 | 12 |
| P0815G | 150 | 1,71 | 11870 | 12 |
| P0820G | 200 | 2,29 | 16020 | 6 |
| P0830G | 300 | 3,17 | 24320 | 6 |
| P0840G | 400 | 3,90 | 32620 | 6 |
| P0850G | 500 | 5,80 | 40520 | 6 |
| P0860G | 600 | 6,73 | 45220 | 6 |



*Values obtained using 3 TCA612.. bolts with toothed locknut (1 on both sides and 1 on the bottom)



* See bottom perforation pattern on page 55.

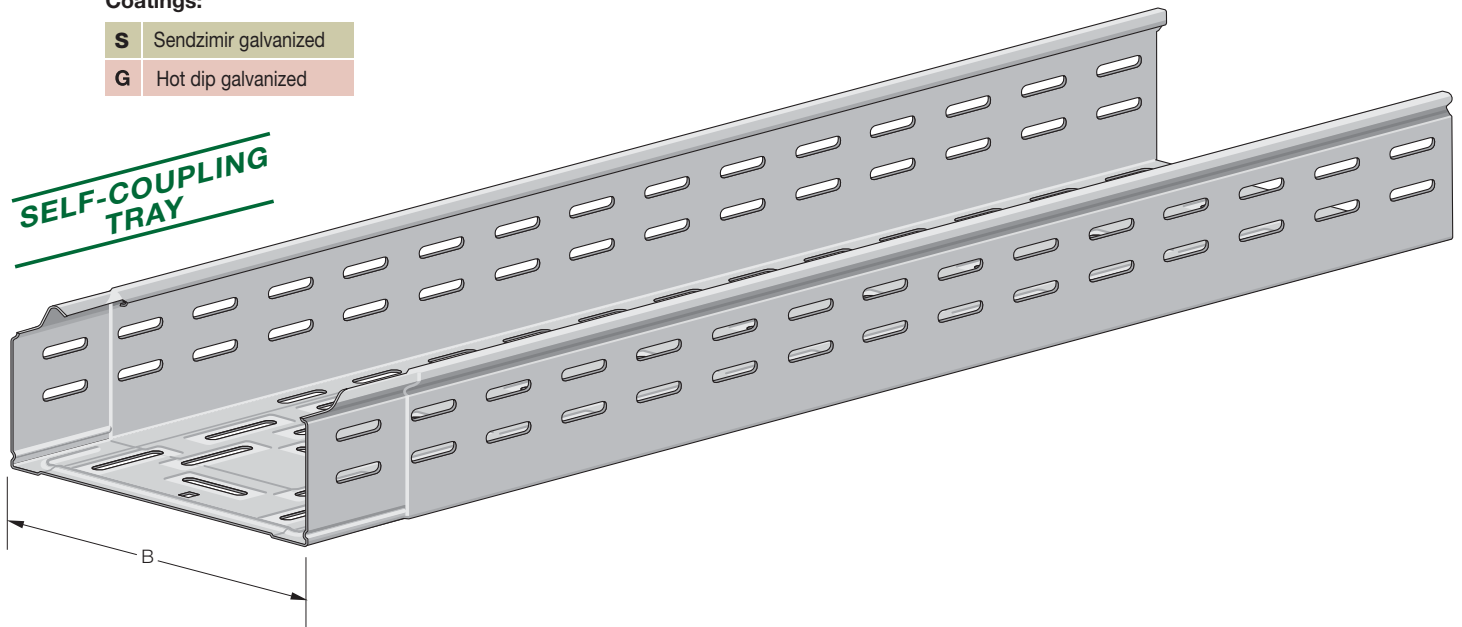
Sheet steel cable tray with protected edges

Length 3 m

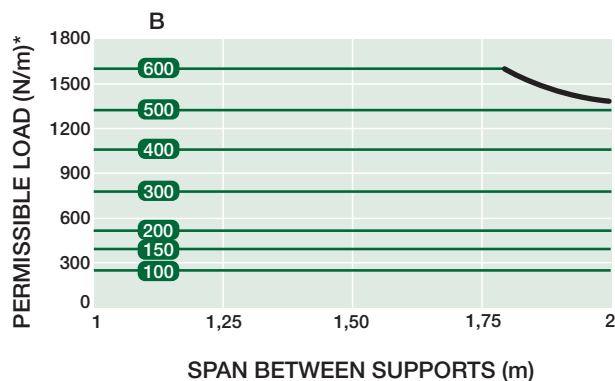
Coatings:

- S** Sendzimir galvanized
- G** Hot dip galvanized

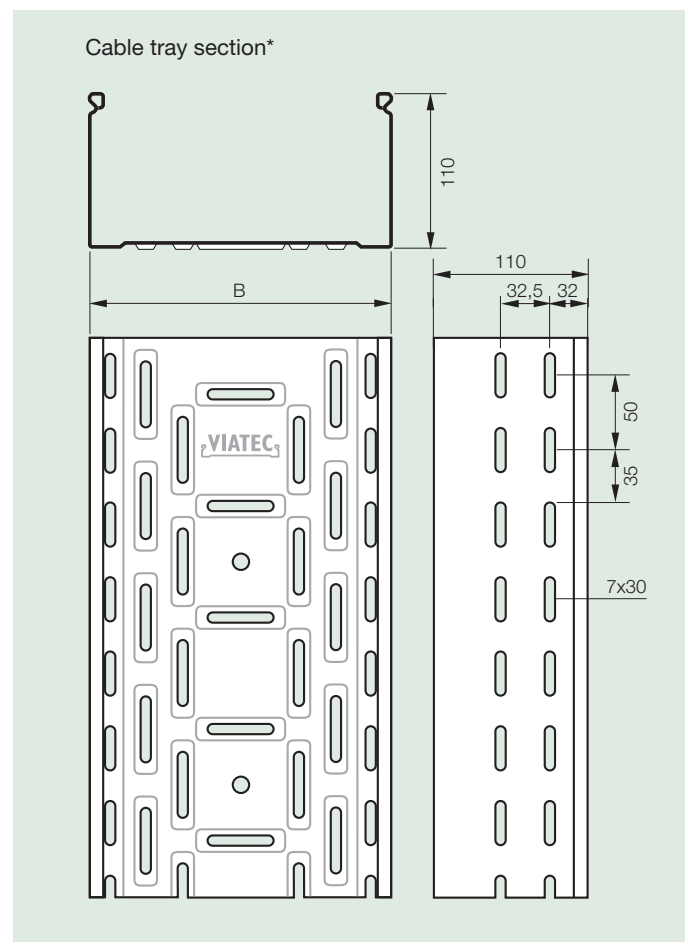
SELF-COUPLING TRAY



| Reference | B | Weight kg/m | Useful cross section mm ² | m/pack |
|-----------|-----|-------------|--------------------------------------|--------|
| P1010S | 100 | 1,47 | 10120 | 12 |
| P1015S | 150 | 1,97 | 15520 | 12 |
| P1020S | 200 | 2,17 | 20920 | 6 |
| P1030S | 300 | 3,08 | 31720 | 6 |
| P1040S | 400 | 4,64 | 42520 | 6 |
| P1050S | 500 | 5,30 | 53320 | 6 |
| P1060S | 600 | 6,12 | 64120 | 6 |
| P1010G | 100 | 1,69 | 10120 | 12 |
| P1015G | 150 | 2,27 | 15520 | 12 |
| P1020G | 200 | 2,50 | 20920 | 6 |
| P1030G | 300 | 3,54 | 31720 | 6 |
| P1040G | 400 | 5,34 | 42520 | 6 |
| P1050G | 500 | 6,10 | 53320 | 6 |
| P1060G | 600 | 7,04 | 64120 | 6 |



*Values obtained using 3 TCA612.. bolts with toothed locknut (1 on both sides and 1 on the bottom)



*See bottom perforation pattern on page 55.

VIATEC Solid bottom cable tray side 60

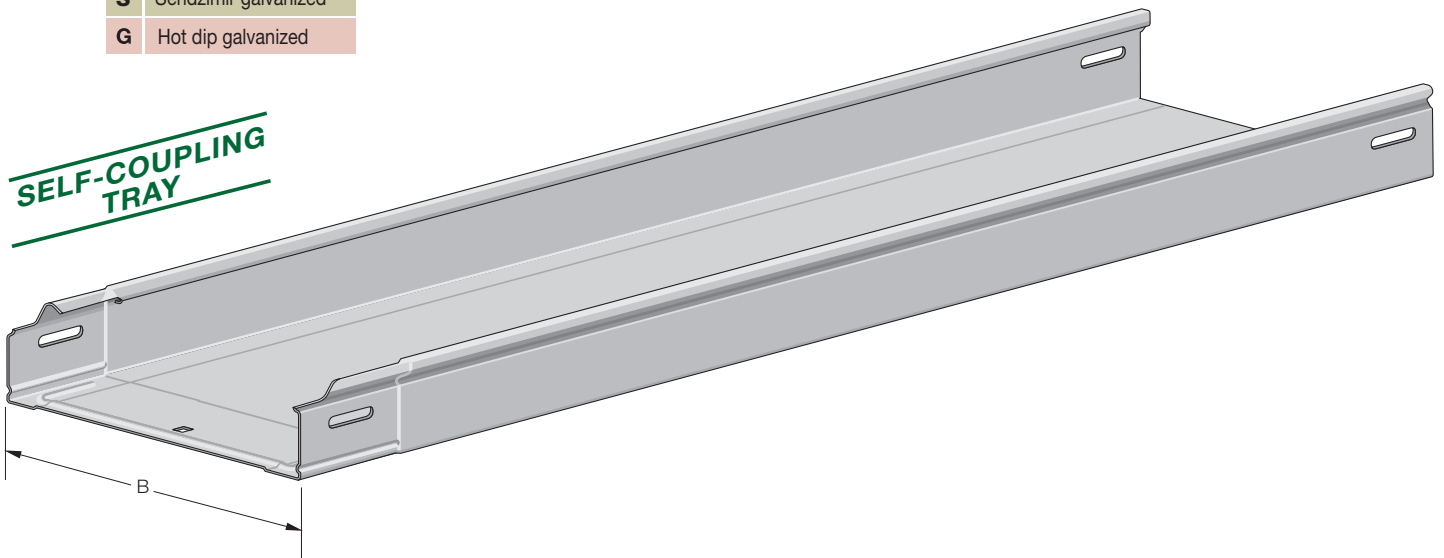
Sheet steel cable tray with protected edges

Length 3 m

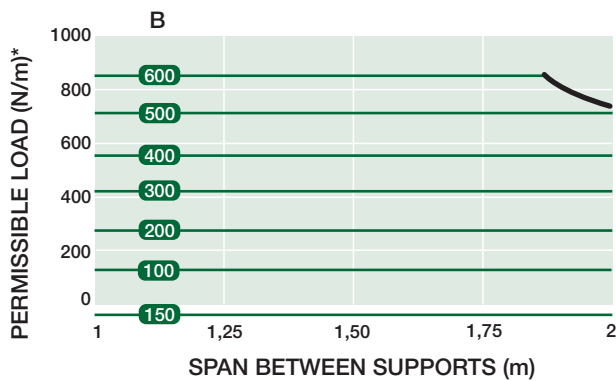
Coatings:

| | |
|----------|----------------------|
| S | Sendzimir galvanized |
| G | Hot dip galvanized |

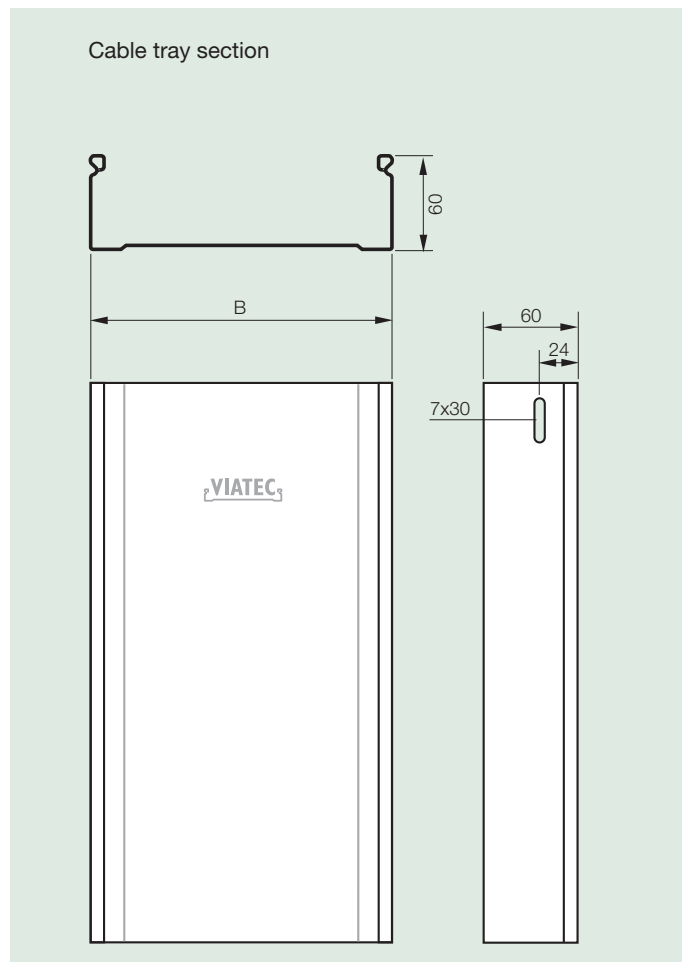
SELF-COUPLING TRAY



| Reference | B | Weight kg/m | Useful cross section mm ² | m/pack |
|-----------|-----|-------------|--------------------------------------|--------|
| C0610S | 100 | 1,03 | 5320 | 12 |
| C0615S | 150 | 1,23 | 8220 | 12 |
| C0620S | 200 | 1,71 | 11120 | 12 |
| C0630S | 300 | 2,55 | 16920 | 6 |
| C0640S | 400 | 3,55 | 22720 | 6 |
| C0650S | 500 | 4,19 | 28520 | 6 |
| C0660S | 600 | 6,04 | 34320 | 6 |
| C0610G | 100 | 1,18 | 5320 | 12 |
| C0615G | 150 | 1,41 | 8220 | 12 |
| C0620G | 200 | 1,97 | 11120 | 12 |
| C0630G | 300 | 2,93 | 16920 | 6 |
| C0640G | 400 | 4,09 | 22720 | 6 |
| C0650G | 500 | 4,82 | 28520 | 6 |
| C0660G | 600 | 6,95 | 34320 | 6 |



*Values obtained using 3 TCA612.. bolts with toothed locknut (1 on both sides and 1 on the bottom)



VIATEC Solid bottom cable tray side 85



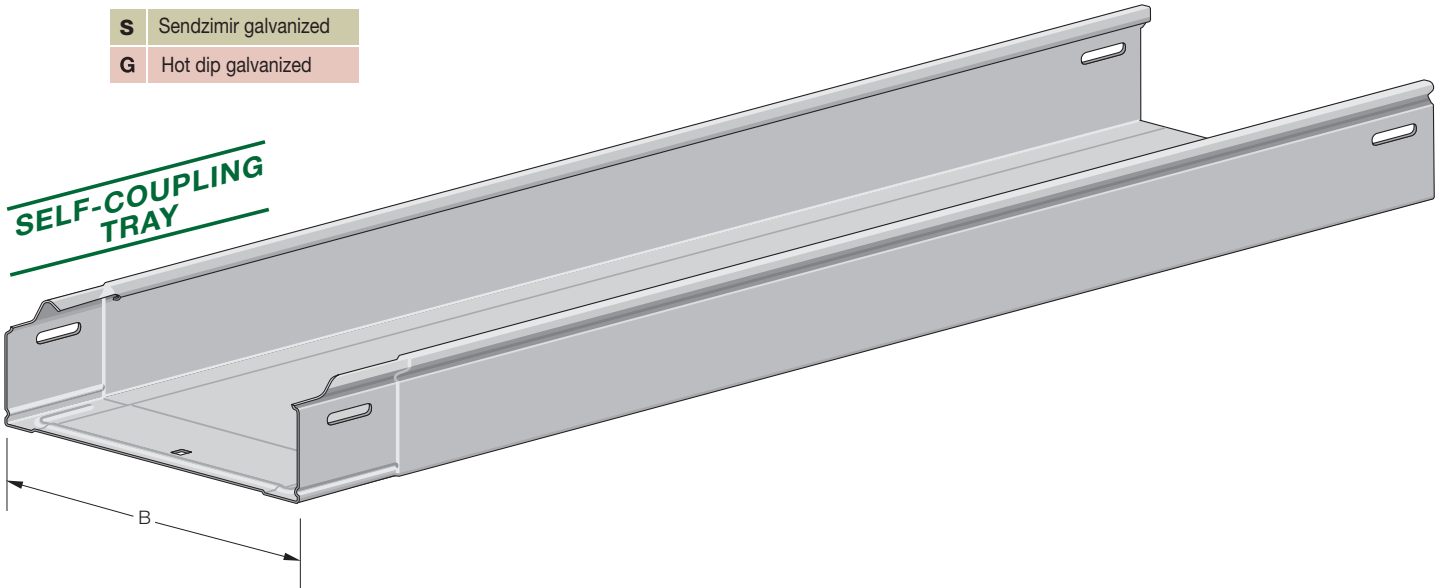
Sheet steel cable tray with protected edges

Length 3 m

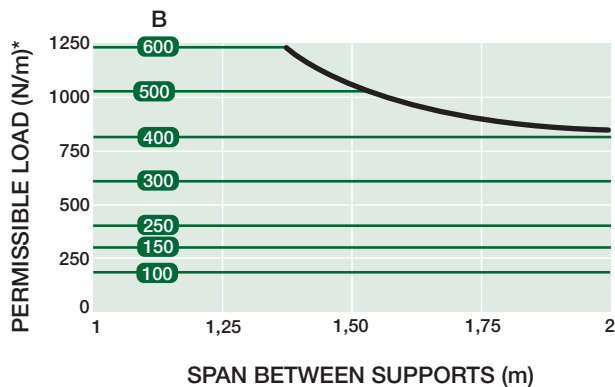
Coatings:

| | |
|----------|----------------------|
| S | Sendzimir galvanized |
| G | Hot dip galvanized |

SELF-COUPLING TRAY

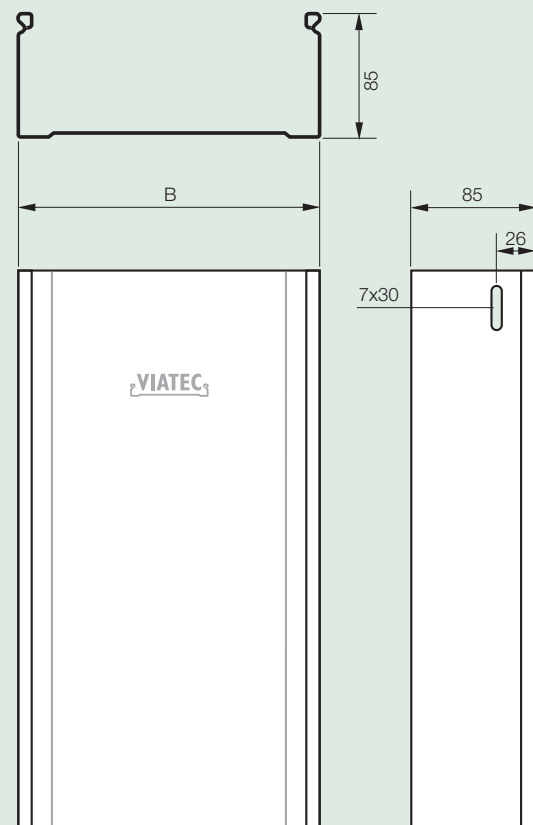


| Reference | B | Weight kg/m | Useful cross section mm ² | m/pack |
|---------------|-----|-------------|--------------------------------------|--------|
| C0810S | 100 | 1,47 | 7720 | 12 |
| C0815S | 150 | 1,71 | 11870 | 12 |
| C0820S | 200 | 2,28 | 16020 | 6 |
| C0830S | 300 | 3,23 | 24320 | 6 |
| C0840S | 400 | 3,87 | 32620 | 6 |
| C0850S | 500 | 5,64 | 40520 | 6 |
| C0860S | 600 | 6,44 | 45220 | 6 |
| C0810G | 100 | 1,69 | 7720 | 12 |
| C0815G | 150 | 1,97 | 11870 | 12 |
| C0820G | 200 | 2,62 | 16020 | 6 |
| C0830G | 300 | 3,72 | 24320 | 6 |
| C0840G | 400 | 4,46 | 32620 | 6 |
| C0850G | 500 | 6,49 | 40520 | 6 |
| C0860G | 600 | 7,41 | 45220 | 6 |



*Values obtained using 3 TCA612.. bolts with toothed locknut (1 on both sides and 1 on the bottom)

Cable tray section



All measurements in mm

VIATEC₃ Solid bottom cable tray side 110

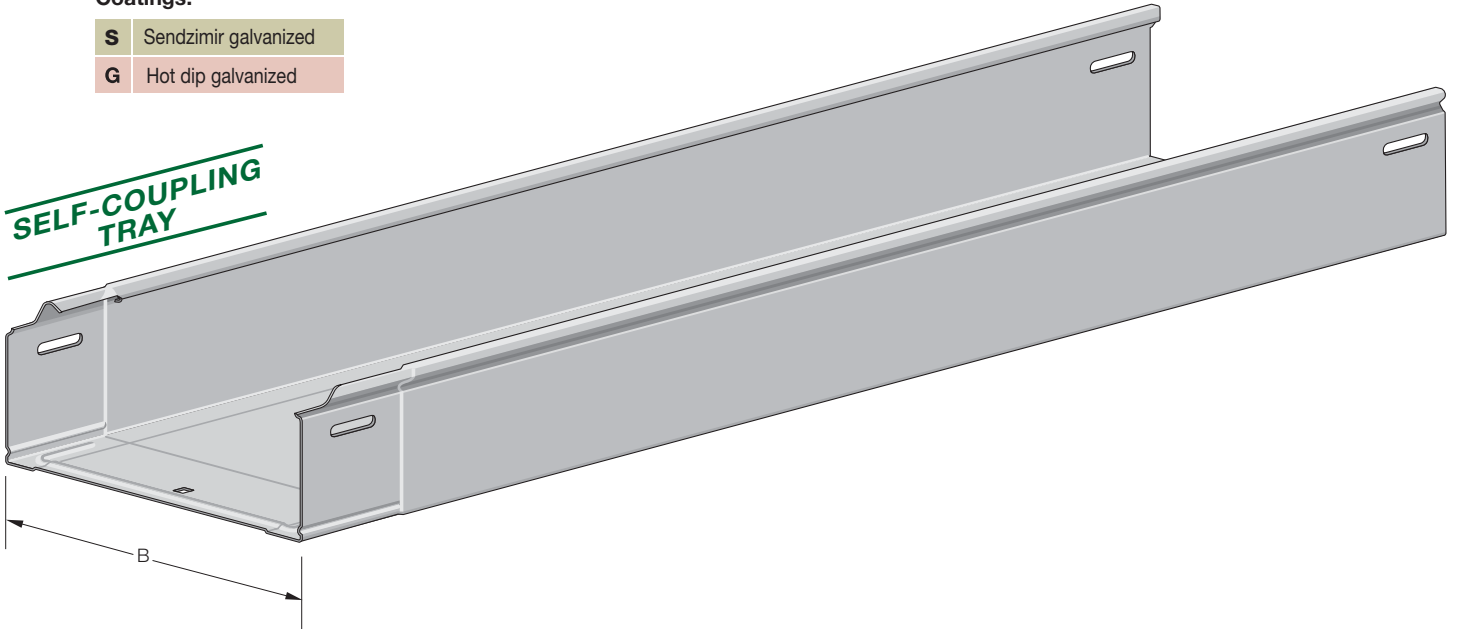
Sheet steel cable tray with protected edges

Length 3 m

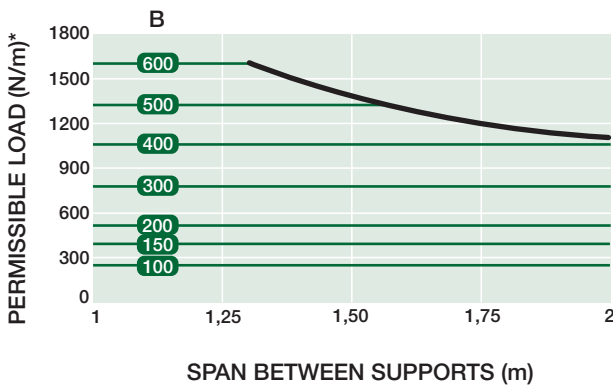
Coatings:

| | |
|----------|----------------------|
| S | Sendzimir galvanized |
| G | Hot dip galvanized |

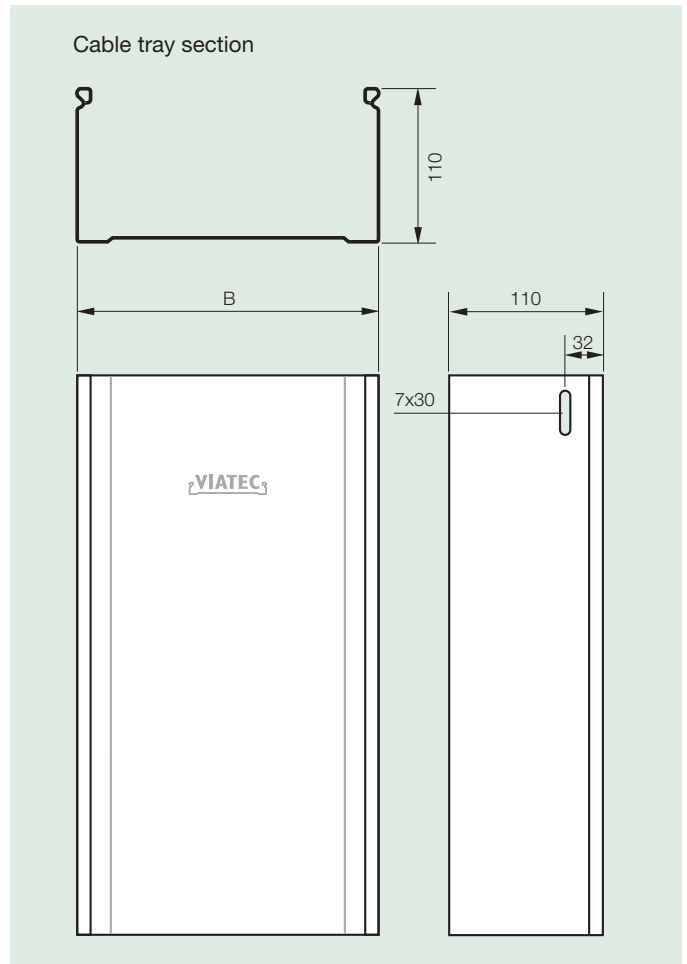
SELF-COUPLING TRAY



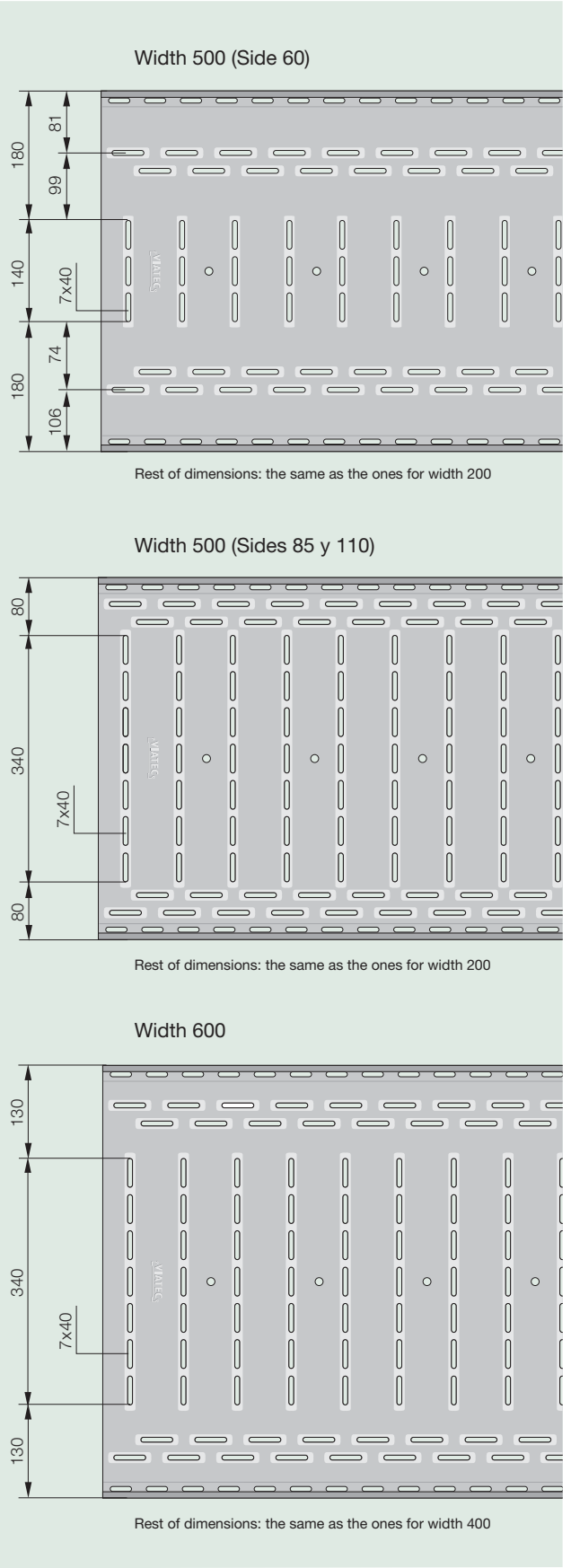
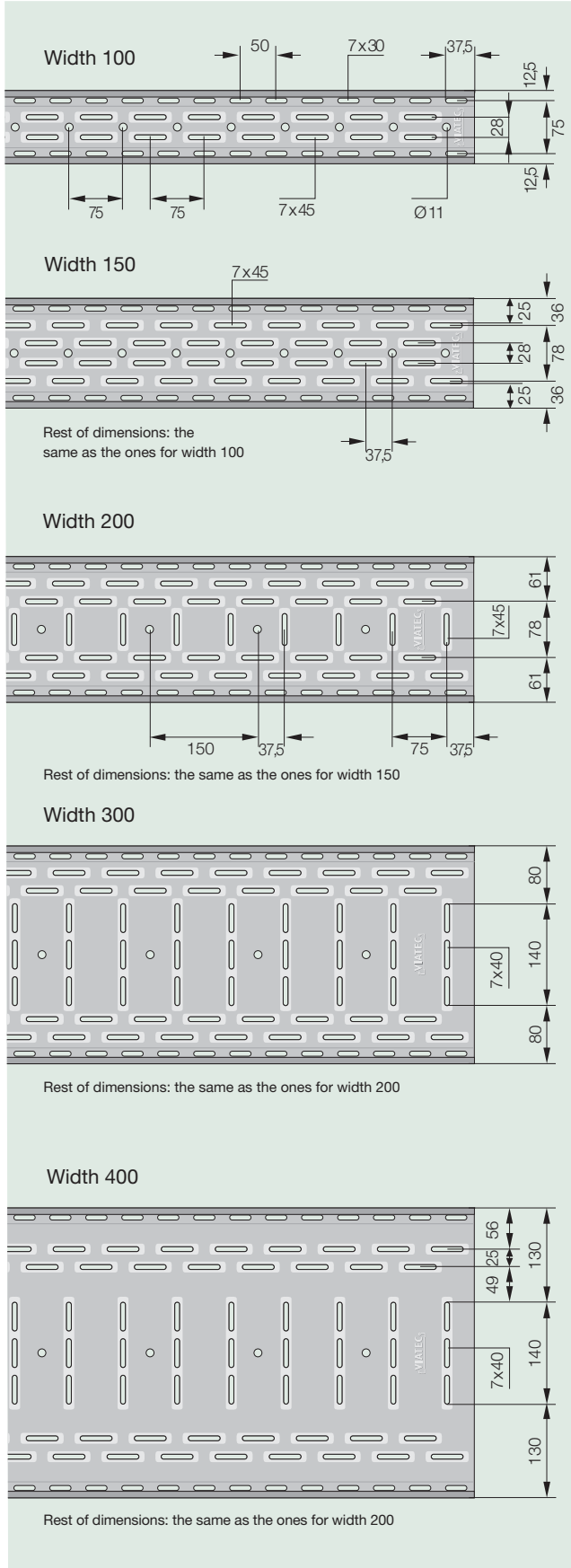
| Reference | B | Weight kg/m | Useful cross section mm ² | m/pack |
|-----------|-----|-------------|--------------------------------------|--------|
| C1010S | 100 | 1,71 | 10120 | 12 |
| C1015S | 150 | 2,28 | 15520 | 12 |
| C1020S | 200 | 2,55 | 20920 | 6 |
| C1030S | 300 | 3,55 | 31720 | 6 |
| C1040S | 400 | 5,24 | 42520 | 6 |
| C1050S | 500 | 6,04 | 53320 | 6 |
| C1060S | 600 | 6,84 | 64120 | 6 |
| C1010G | 100 | 1,97 | 10120 | 12 |
| C1015G | 150 | 2,62 | 15520 | 12 |
| C1020G | 200 | 2,93 | 20920 | 6 |
| C1030G | 300 | 4,09 | 31720 | 6 |
| C1040G | 400 | 6,03 | 42520 | 6 |
| C1050G | 500 | 6,95 | 53320 | 6 |
| C1060G | 600 | 7,87 | 64120 | 6 |



*Values obtained using 3 TCA612.. bolts with toothed locknut (1 on both sides and 1 on the bottom)



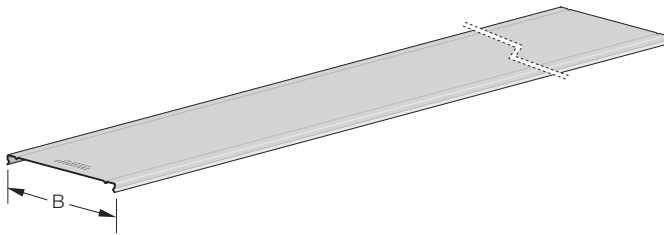
Bottom perforation pattern for widths 100/150/200/ 300/400/500/600



All measurements in mm

Cable tray cover

Length 3 m

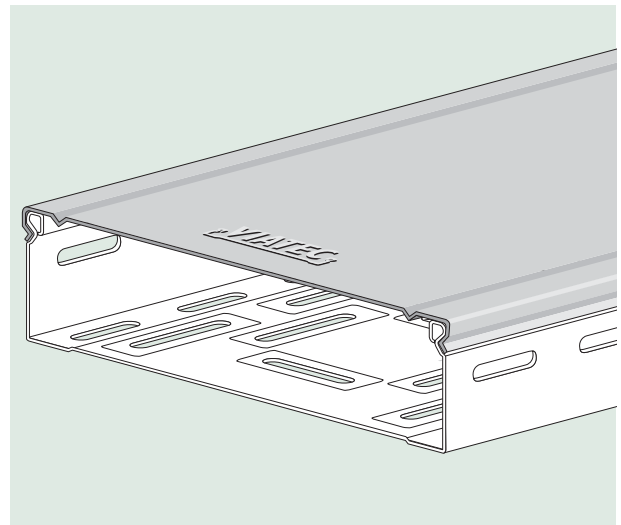


Coatings:

S Sendzimir galvanized

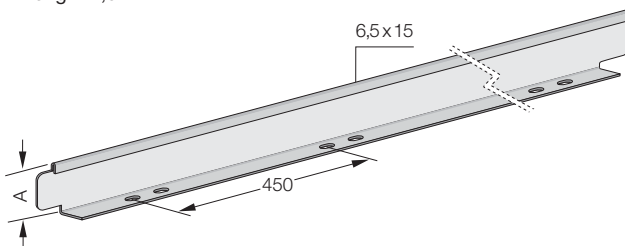
G Hot dip galvanized

| Reference | B | Weight kg/m | m/pack |
|--------------|-----|-------------|--------|
| TB10S | 100 | 0,63 | 24 |
| TB15S | 150 | 0,87 | 12 |
| TB20S | 200 | 1,11 | 12 |
| TB30S | 300 | 1,86 | 6 |
| TB40S | 400 | 2,42 | 6 |
| TB50S | 500 | 3,40 | 6 |
| TB60S | 600 | 4,04 | 6 |
| TB10G | 100 | 0,72 | 24 |
| TB15G | 150 | 1,00 | 12 |
| TB20G | 200 | 1,28 | 12 |
| TB30G | 300 | 2,14 | 6 |
| TB40G | 400 | 2,78 | 6 |
| TB50G | 500 | 3,91 | 6 |
| TB60G | 600 | 4,65 | 6 |



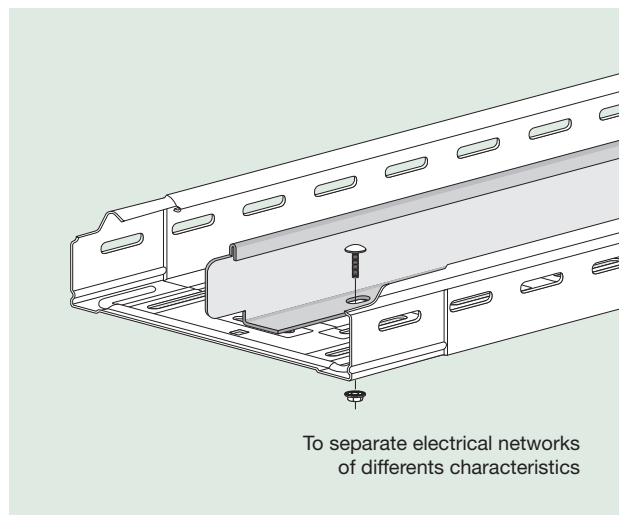
Self coupling VIATEC dividing strip

Length 2,97 m

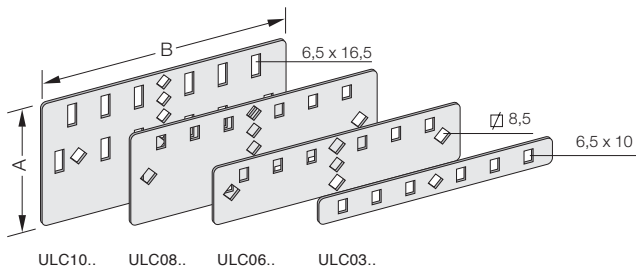


| Reference | Side | A | Weight kg/m | m/Pack |
|---------------|------|-----|-------------|--------|
| TSC03S | 35 | 28 | 0,40 | 30 |
| TSC06S | 60 | 53 | 0,64 | 30 |
| TSC08S | 85 | 78 | 0,77 | 30 |
| TSC10S | 110 | 100 | 0,91 | 30 |
| TSC03G | 35 | 28 | 0,46 | 30 |
| TSC06G | 60 | 53 | 0,74 | 30 |
| TSC08G | 85 | 78 | 0,89 | 30 |
| TSC10G | 110 | 100 | 1,05 | 30 |

Use TCA612.. bolts with toothed locknuts.

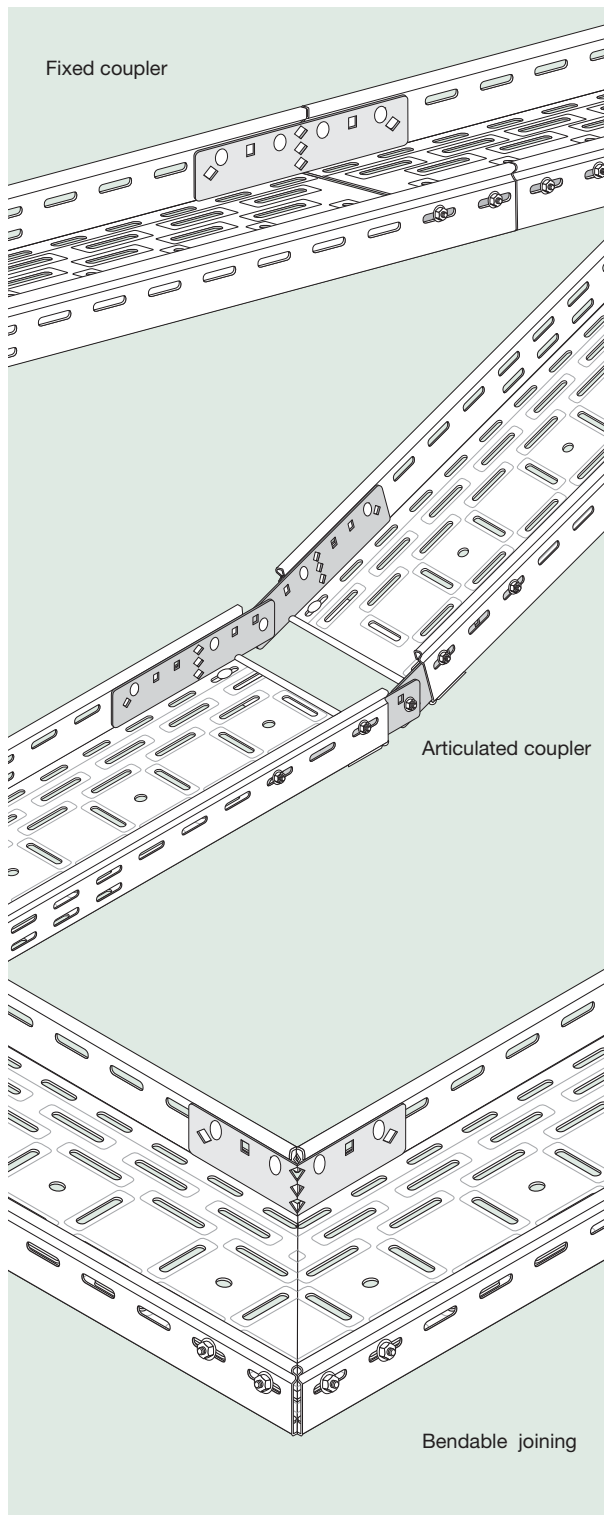


Lateral bendable coupler



| Reference | Side | A | B | Weight kg/pc. | pcs./pack |
|---------------|------|------|-----|---------------|-----------|
| ULC03S | 35 | 19,5 | 180 | 0,05 | 10 |
| ULC06S | 60 | 44,5 | 190 | 0,12 | 10 |
| ULC08S | 85 | 69,5 | 190 | 0,19 | 10 |
| ULC10S | 110 | 94,5 | 190 | 0,24 | 10 |
| ULC03G | 35 | 19,5 | 180 | 0,06 | 10 |
| ULC06G | 60 | 44,5 | 190 | 0,14 | 10 |
| ULC08G | 85 | 69,5 | 190 | 0,22 | 10 |
| ULC10G | 110 | 94,5 | 190 | 0,28 | 10 |

Use TCA612.. bolts with toothed locknuts.

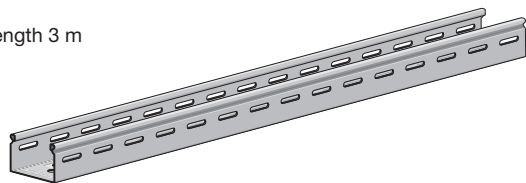


Coatings:

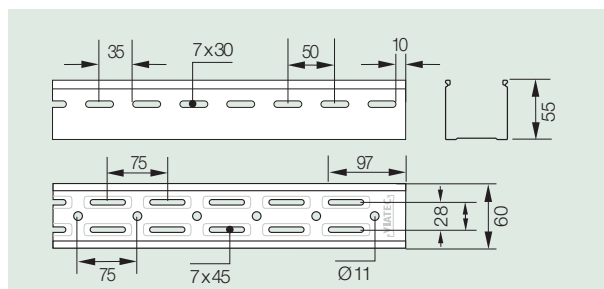
S Sendzimir galvanized

Perforated cable tray

Length 3 m

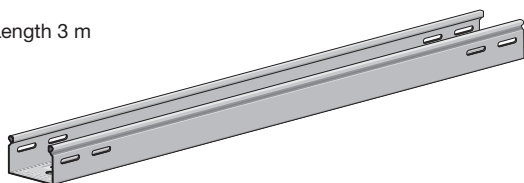


| Reference | Weight kg/u | pcs./pack |
|---------------|-------------|-----------|
| P0506S | 0,93 | 24 |

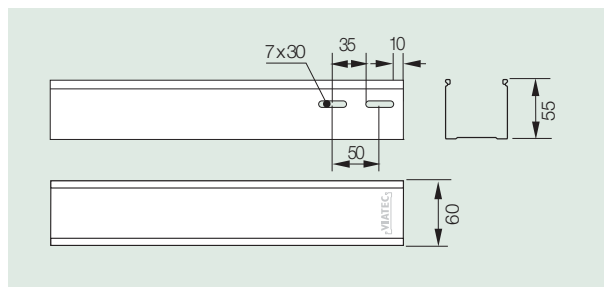


Solid bottom cable tray

Length 3 m

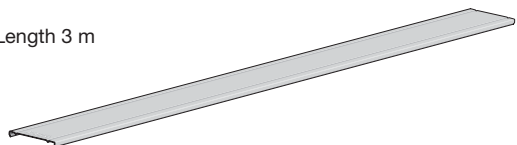


| Reference | Weight kg/u | pcs./pack |
|---------------|-------------|-----------|
| C0506S | 1,27 | 24 |



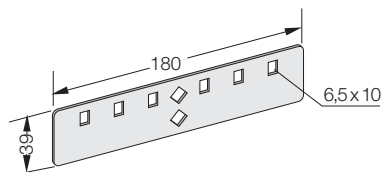
Cable tray cover

Length 3 m



| Reference | Weight kg/u | pcs./pack |
|--------------|-------------|-----------|
| TB06S | 0,67 | 24 |

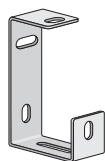
SIDE 55 coupler



| Reference | Weight kg/u | pcs./pack |
|---------------|-------------|-----------|
| ULC05S | 0,07 | 10 |

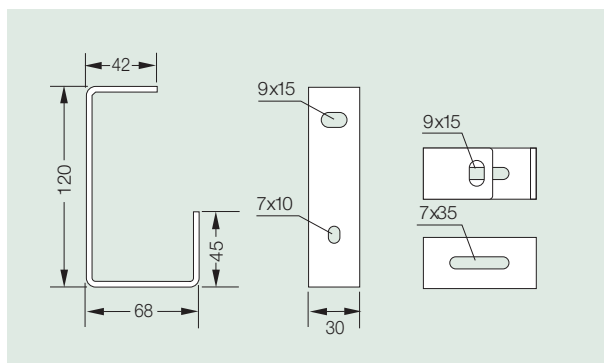
Use TCA612Z3 bolts with toothed locknuts.

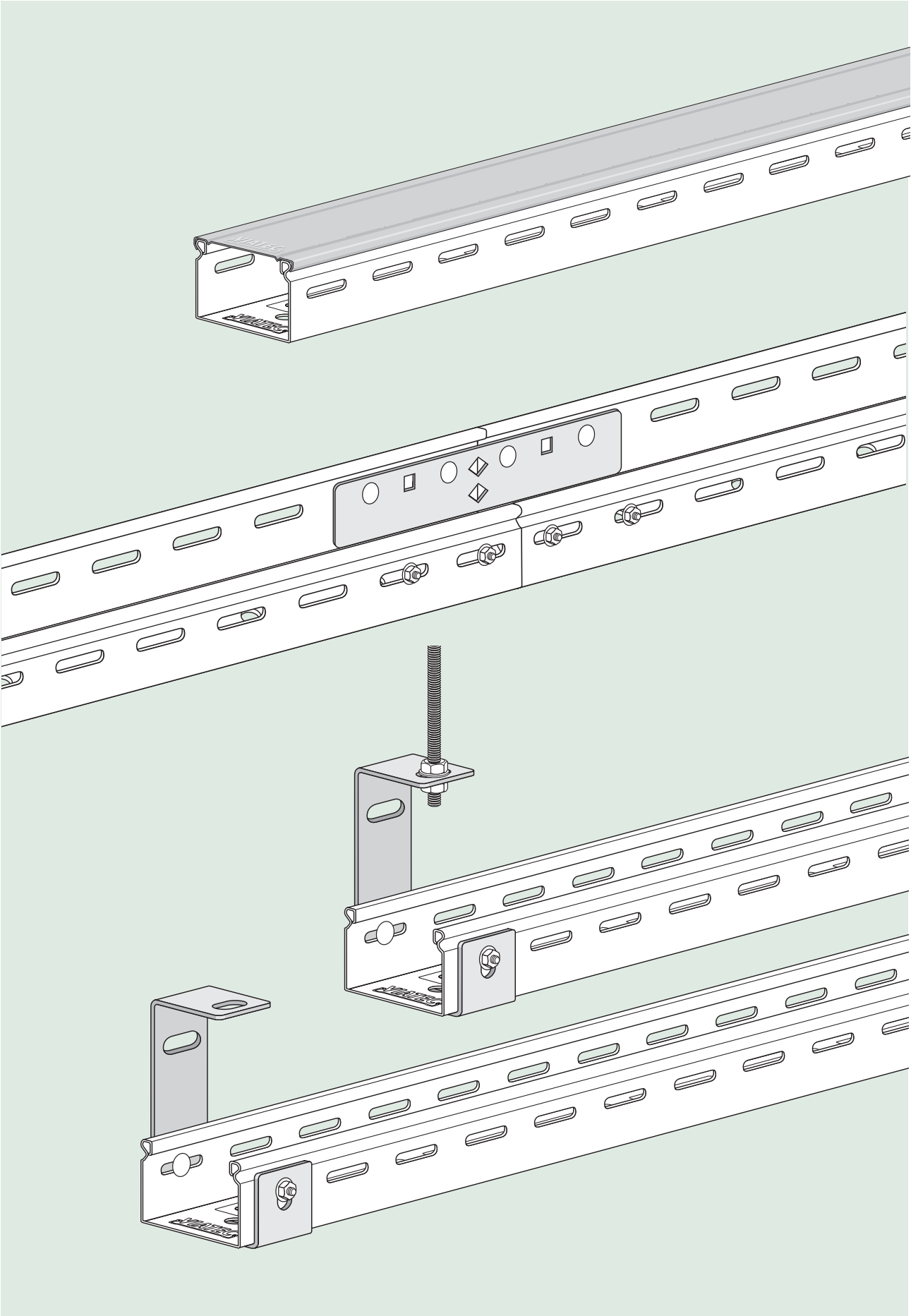
Multipurpose support for 55x60 cable tray



| Reference | Weight kg/u | pcs./pack |
|-------------|-------------|-----------|
| SMIS | 0,17 | 10 |

Wall fixation or ceiling fixation using VS8.. suspension rod.



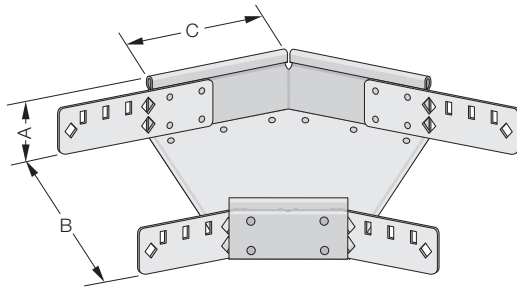


45° Elbow

Coatings:

| | |
|----------|----------------------|
| S | Sendzimir galvanized |
| G | Hot dip galvanized |

With coupling pieces incorporated into it

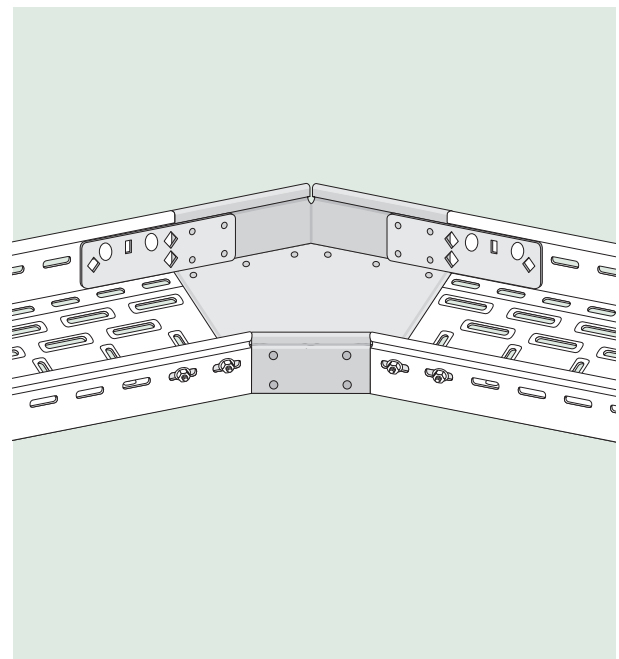


| Reference | A | B | C | Weight kg/pc. | pcs./pack |
|----------------|-----|-----|-----|---------------|-----------|
| CR0310S | 35 | 100 | 75 | 0,39 | 1 |
| CR0315S | 35 | 150 | 100 | 0,49 | 1 |
| CR0320S | 35 | 200 | 125 | 0,63 | 1 |
| CR0330S | 35 | 300 | 167 | 0,92 | 1 |
| CR0610S | 60 | 100 | 75 | 0,60 | 1 |
| CR0615S | 60 | 150 | 100 | 0,69 | 1 |
| CR0620S | 60 | 200 | 125 | 0,86 | 1 |
| CR0630S | 60 | 300 | 167 | 1,14 | 1 |
| CR0640S | 60 | 400 | 217 | 1,49 | 1 |
| CR0650S | 60 | 500 | 267 | 1,90 | 1 |
| CR0660S | 60 | 600 | 317 | 2,40 | 1 |
| CR0810S | 85 | 100 | 75 | 0,90 | 1 |
| CR0815S | 85 | 150 | 100 | 1,00 | 1 |
| CR0820S | 85 | 200 | 125 | 1,14 | 1 |
| CR0830S | 85 | 300 | 167 | 1,43 | 1 |
| CR0840S | 85 | 400 | 217 | 1,82 | 1 |
| CR0850S | 85 | 500 | 267 | 2,24 | 1 |
| CR0860S | 85 | 600 | 317 | 2,76 | 1 |
| CR1010S | 110 | 100 | 75 | 1,11 | 1 |
| CR1015S | 110 | 150 | 100 | 1,23 | 1 |
| CR1020S | 110 | 200 | 125 | 1,38 | 1 |
| CR1030S | 110 | 300 | 167 | 1,69 | 1 |
| CR1040S | 110 | 400 | 217 | 2,08 | 1 |
| CR1050S | 110 | 500 | 267 | 2,53 | 1 |
| CR1060S | 110 | 600 | 317 | 3,05 | 1 |

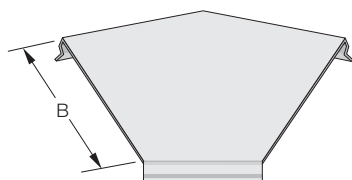
Use TCA612Z3 bolts with toothed locknuts.

| Reference | A | B | C | Weight kg/pc. | pcs./pack |
|----------------|-----|-----|-----|---------------|-----------|
| CR0310G | 35 | 100 | 75 | 0,45 | 1 |
| CR0315G | 35 | 150 | 100 | 0,57 | 1 |
| CR0320G | 35 | 200 | 125 | 0,72 | 1 |
| CR0330G | 35 | 300 | 167 | 1,05 | 1 |
| CR0610G | 60 | 100 | 75 | 0,69 | 1 |
| CR0615G | 60 | 150 | 100 | 0,80 | 1 |
| CR0620G | 60 | 200 | 125 | 0,99 | 1 |
| CR0630G | 60 | 300 | 167 | 1,31 | 1 |
| CR0640G | 60 | 400 | 217 | 1,72 | 1 |
| CR0650G | 60 | 500 | 267 | 2,19 | 1 |
| CR0660G | 60 | 600 | 317 | 2,77 | 1 |
| CR0810G | 85 | 100 | 75 | 1,03 | 1 |
| CR0815G | 85 | 150 | 100 | 1,16 | 1 |
| CR0820G | 85 | 200 | 125 | 1,31 | 1 |
| CR0830G | 85 | 300 | 167 | 1,65 | 1 |
| CR0840G | 85 | 400 | 217 | 2,09 | 1 |
| CR0850G | 85 | 500 | 267 | 2,58 | 1 |
| CR0860G | 85 | 600 | 317 | 3,17 | 1 |
| CR1010G | 110 | 100 | 75 | 1,28 | 1 |
| CR1015G | 110 | 150 | 100 | 1,42 | 1 |
| CR1020G | 110 | 200 | 125 | 1,59 | 1 |
| CR1030G | 110 | 300 | 167 | 1,95 | 1 |
| CR1040G | 110 | 400 | 217 | 2,39 | 1 |
| CR1050G | 110 | 500 | 267 | 2,91 | 1 |
| CR1060G | 110 | 600 | 317 | 3,51 | 1 |

Use TCA612G bolts with toothed locknuts.

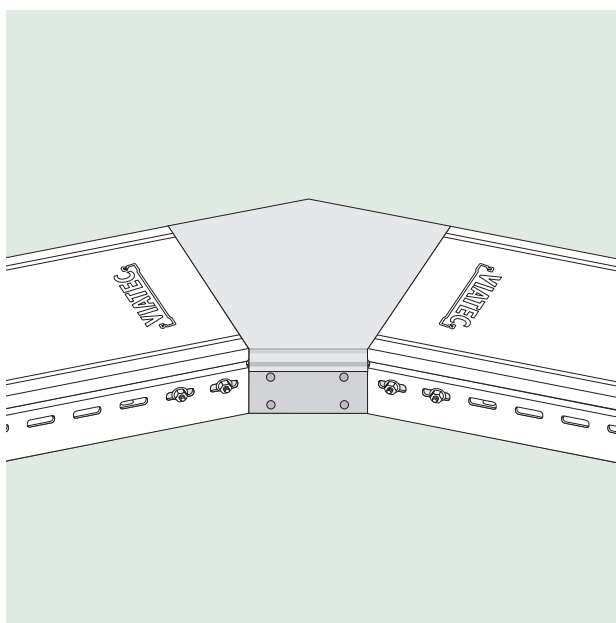


45° Elbow cover



| Reference | B | Weight kg/m | m/pack |
|---------------|-----|-------------|--------|
| TCR10S | 100 | 0,11 | 1 |
| TCR15S | 150 | 0,17 | 1 |
| TCR20S | 200 | 0,25 | 1 |
| TCR30S | 300 | 0,44 | 1 |
| TCR40S | 400 | 0,67 | 1 |
| TCR50S | 500 | 0,96 | 1 |
| TCR60S | 600 | 1,33 | 1 |

| Reference | B | Weight kg/m | m/pack |
|---------------|-----|-------------|--------|
| TCR10G | 100 | 0,12 | 1 |
| TCR15G | 150 | 0,20 | 1 |
| TCR20G | 200 | 0,28 | 1 |
| TCR30G | 300 | 0,51 | 1 |
| TCR40G | 400 | 0,78 | 1 |
| TCR50G | 500 | 1,10 | 1 |
| TCR60G | 600 | 1,53 | 1 |

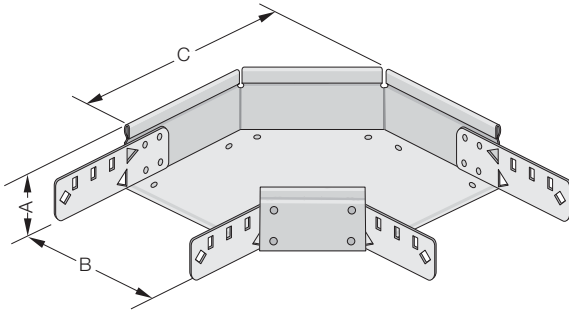


90° Elbow

Coatings:

| | |
|----------|----------------------|
| S | Sendzimir galvanized |
| G | Hot dip galvanized |

With coupling pieces incorporated into it

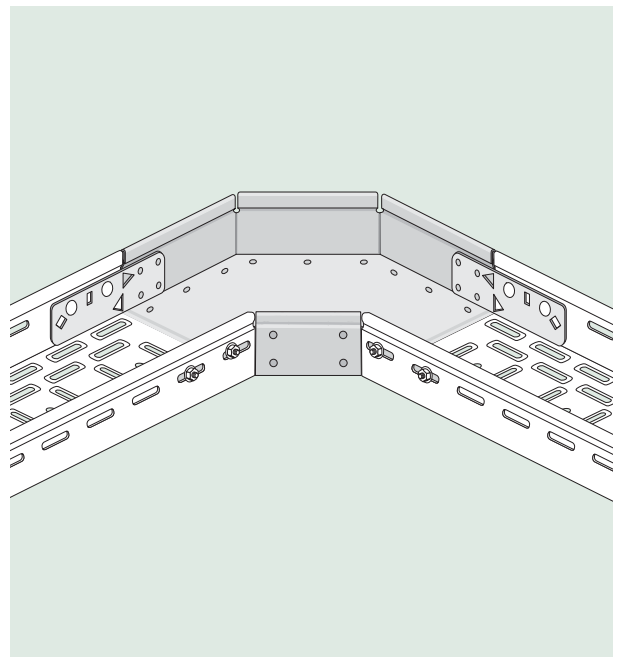


| Reference | A | B | C | Weight kg/pc. | pcs./pack |
|----------------|-----|-----|-----|---------------|-----------|
| CH0310S | 35 | 100 | 155 | 0,49 | 1 |
| CH0315S | 35 | 150 | 205 | 0,66 | 1 |
| CH0320S | 35 | 200 | 255 | 0,88 | 1 |
| CH0330S | 35 | 300 | 355 | 1,42 | 1 |
| CH0610S | 60 | 100 | 155 | 0,74 | 1 |
| CH0615S | 60 | 150 | 205 | 0,93 | 1 |
| CH0620S | 60 | 200 | 255 | 1,16 | 1 |
| CH0630S | 60 | 300 | 355 | 1,75 | 1 |
| CH0640S | 60 | 400 | 455 | 2,49 | 1 |
| CH0650S | 60 | 500 | 555 | 3,38 | 1 |
| CH0660S | 60 | 600 | 655 | 4,38 | 1 |
| CH0810S | 85 | 100 | 155 | 1,03 | 1 |
| CH0815S | 85 | 150 | 205 | 1,24 | 1 |
| CH0820S | 85 | 200 | 255 | 1,50 | 1 |
| CH0830S | 85 | 300 | 355 | 2,12 | 1 |
| CH0840S | 85 | 400 | 455 | 2,89 | 1 |
| CH0850S | 85 | 500 | 555 | 3,78 | 1 |
| CH0860S | 85 | 600 | 655 | 4,83 | 1 |
| CH1010S | 110 | 100 | 155 | 1,27 | 1 |
| CH1015S | 110 | 150 | 205 | 1,51 | 1 |
| CH1020S | 110 | 200 | 255 | 1,77 | 1 |
| CH1030S | 110 | 300 | 355 | 2,41 | 1 |
| CH1040S | 110 | 400 | 455 | 3,23 | 1 |
| CH1050S | 110 | 500 | 555 | 4,21 | 1 |
| CH1060S | 110 | 600 | 655 | 5,23 | 1 |

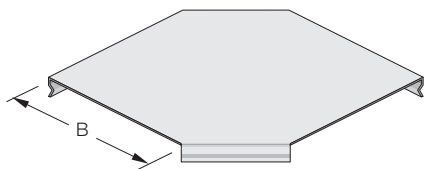
Use TCA612Z3 bolts with toothed locknut.

| Reference | A | B | C | Weight kg/pc. | pcs./pack |
|----------------|-----|-----|-----|---------------|-----------|
| CH0310G | 35 | 100 | 155 | 0,56 | 1 |
| CH0315G | 35 | 150 | 205 | 0,76 | 1 |
| CH0320G | 35 | 200 | 255 | 1,01 | 1 |
| CH0330G | 35 | 300 | 355 | 1,63 | 1 |
| CH0610G | 60 | 100 | 155 | 0,85 | 1 |
| CH0615G | 60 | 150 | 205 | 1,07 | 1 |
| CH0620G | 60 | 200 | 255 | 1,33 | 1 |
| CH0630G | 60 | 300 | 355 | 2,01 | 1 |
| CH0640G | 60 | 400 | 455 | 2,87 | 1 |
| CH0650G | 60 | 500 | 555 | 3,88 | 1 |
| CH0660G | 60 | 600 | 655 | 5,04 | 1 |
| CH0810G | 85 | 100 | 155 | 1,19 | 1 |
| CH0815G | 85 | 150 | 205 | 1,43 | 1 |
| CH0820G | 85 | 200 | 255 | 1,72 | 1 |
| CH0830G | 85 | 300 | 355 | 2,43 | 1 |
| CH0840G | 85 | 400 | 455 | 3,33 | 1 |
| CH0850G | 85 | 500 | 555 | 4,35 | 1 |
| CH0860G | 85 | 600 | 655 | 5,56 | 1 |
| CH1010G | 110 | 100 | 155 | 1,46 | 1 |
| CH1015G | 110 | 150 | 205 | 1,73 | 1 |
| CH1020G | 110 | 200 | 255 | 2,03 | 1 |
| CH1030G | 110 | 300 | 355 | 2,77 | 1 |
| CH1040G | 110 | 400 | 455 | 3,71 | 1 |
| CH1050G | 110 | 500 | 555 | 4,84 | 1 |
| CH1060G | 110 | 600 | 655 | 6,02 | 1 |

Use TCA612G bolts with toothed locknuts.

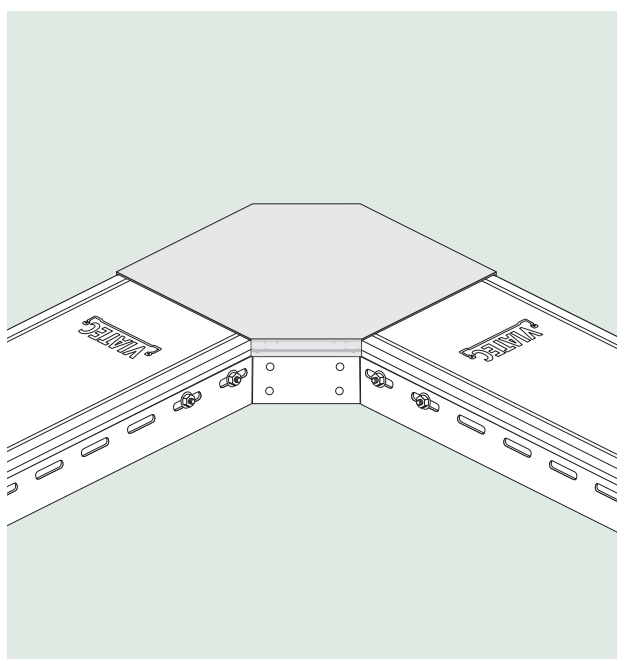


90° Elbow cover



| Reference | B | Weight kg/m | m/pack |
|---------------|-----|-------------|--------|
| TCH10S | 100 | 0,15 | 1 |
| TCH15S | 150 | 0,26 | 1 |
| TCH20S | 200 | 0,40 | 1 |
| TCH30S | 300 | 0,78 | 1 |
| TCH40S | 400 | 1,27 | 1 |
| TCH50S | 500 | 1,91 | 1 |
| TCH60S | 600 | 2,59 | 1 |

| Reference | B | Weight kg/m | m/pack |
|---------------|-----|-------------|--------|
| TCH10G | 100 | 0,18 | 1 |
| TCH15G | 150 | 0,30 | 1 |
| TCH20G | 200 | 0,46 | 1 |
| TCH30G | 300 | 0,90 | 1 |
| TCH40G | 400 | 1,46 | 1 |
| TCH50G | 500 | 2,19 | 1 |
| TCH60G | 600 | 2,98 | 1 |



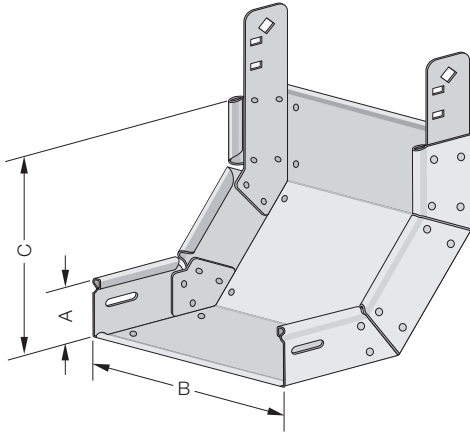
90° Inside bend

Coatings:

S Sendzimir galvanized

G Hot dip galvanized

With coupling pieces incorporated into it



| Reference | A | B | C | Weight kg/pc. | pcs./pack |
|----------------|-----|-----|-----|---------------|-----------|
| CV0310S | 35 | 100 | 180 | 0,64 | 1 |
| CV0315S | 35 | 150 | 180 | 0,76 | 1 |
| CV0320S | 35 | 200 | 180 | 0,88 | 1 |
| CV0330S | 35 | 300 | 180 | 1,11 | 1 |
| CV0610S | 60 | 100 | 205 | 1,02 | 1 |
| CV0615S | 60 | 150 | 205 | 1,15 | 1 |
| CV0620S | 60 | 200 | 205 | 1,29 | 1 |
| CV0630S | 60 | 300 | 205 | 1,58 | 1 |
| CV0640S | 60 | 400 | 205 | 1,86 | 1 |
| CV0650S | 60 | 500 | 205 | 2,14 | 1 |
| CV0660S | 60 | 600 | 205 | 2,42 | 1 |
| CV0810S | 85 | 100 | 250 | 1,41 | 1 |
| CV0815S | 85 | 150 | 250 | 1,57 | 1 |
| CV0820S | 85 | 200 | 250 | 1,73 | 1 |
| CV0830S | 85 | 300 | 250 | 2,04 | 1 |
| CV0840S | 85 | 400 | 250 | 2,36 | 1 |
| CV0850S | 85 | 500 | 250 | 2,66 | 1 |
| CV0860S | 85 | 600 | 250 | 2,97 | 1 |
| CV1010S | 110 | 100 | 275 | 1,89 | 1 |
| CV1015S | 110 | 150 | 275 | 2,06 | 1 |
| CV1020S | 110 | 200 | 275 | 2,23 | 1 |
| CV1030S | 110 | 300 | 275 | 2,58 | 1 |
| CV1040S | 110 | 400 | 275 | 2,92 | 1 |
| CV1050S | 110 | 500 | 275 | 3,26 | 1 |
| CV1060S | 110 | 600 | 275 | 3,60 | 1 |

Use TCA612Z3 bolts with toothed locknuts.

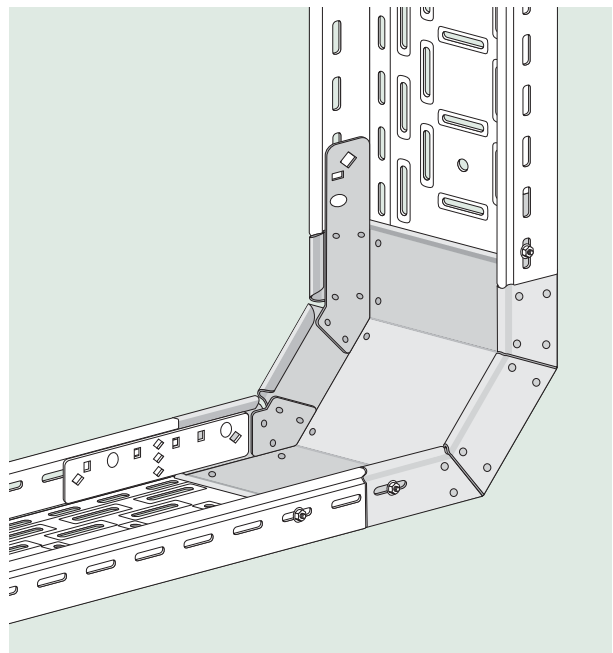
| Reference | A | B | C | Weight kg/pc. | pcs./pack |
|----------------|----|-----|-----|---------------|-----------|
| CV0310G | 35 | 100 | 180 | 0,74 | 1 |
| CV0315G | 35 | 150 | 180 | 0,87 | 1 |
| CV0320G | 35 | 200 | 180 | 1,01 | 1 |
| CV0330G | 35 | 300 | 180 | 1,27 | 1 |

| | | | | | |
|----------------|----|-----|-----|------|---|
| CV0610G | 60 | 100 | 205 | 1,17 | 1 |
| CV0615G | 60 | 150 | 205 | 1,33 | 1 |
| CV0620G | 60 | 200 | 205 | 1,48 | 1 |
| CV0630G | 60 | 300 | 205 | 1,82 | 1 |
| CV0640G | 60 | 400 | 205 | 2,14 | 1 |
| CV0650G | 60 | 500 | 205 | 2,46 | 1 |
| CV0660G | 60 | 600 | 205 | 2,79 | 1 |

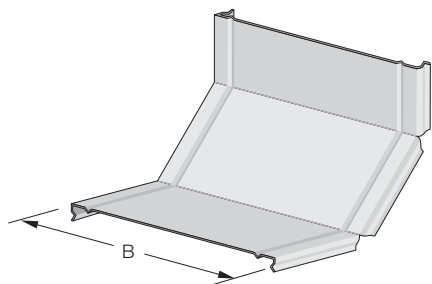
| | | | | | |
|----------------|----|-----|-----|------|---|
| CV0810G | 85 | 100 | 250 | 1,62 | 1 |
| CV0815G | 85 | 150 | 250 | 1,81 | 1 |
| CV0820G | 85 | 200 | 250 | 1,98 | 1 |
| CV0830G | 85 | 300 | 250 | 2,34 | 1 |
| CV0840G | 85 | 400 | 250 | 2,71 | 1 |
| CV0850G | 85 | 500 | 250 | 3,06 | 1 |
| CV0860G | 85 | 600 | 250 | 3,42 | 1 |

| | | | | | |
|----------------|-----|-----|-----|------|---|
| CV1010G | 110 | 100 | 275 | 2,17 | 1 |
| CV1015G | 110 | 150 | 275 | 2,37 | 1 |
| CV1020G | 110 | 200 | 275 | 2,56 | 1 |
| CV1030G | 110 | 300 | 275 | 2,96 | 1 |
| CV1040G | 110 | 400 | 275 | 3,35 | 1 |
| CV1050G | 110 | 500 | 275 | 3,75 | 1 |
| CV1060G | 110 | 600 | 275 | 4,14 | 1 |

Use TCA612G bolts with toothed locknuts.

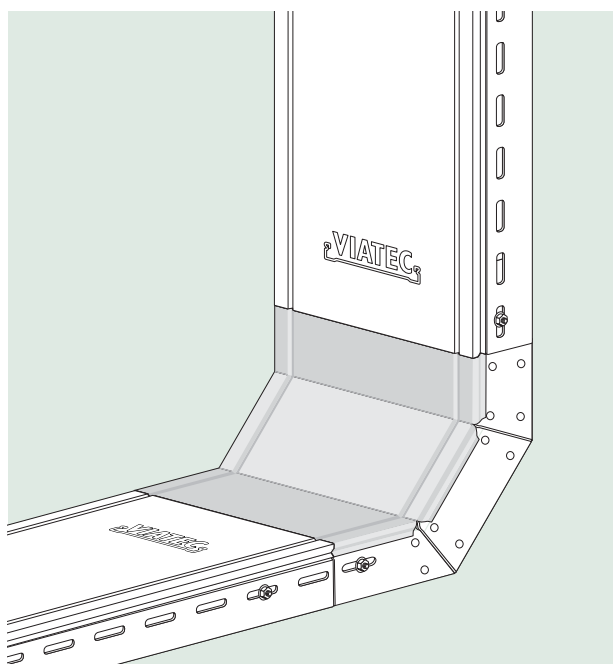


90° Inside bend cover



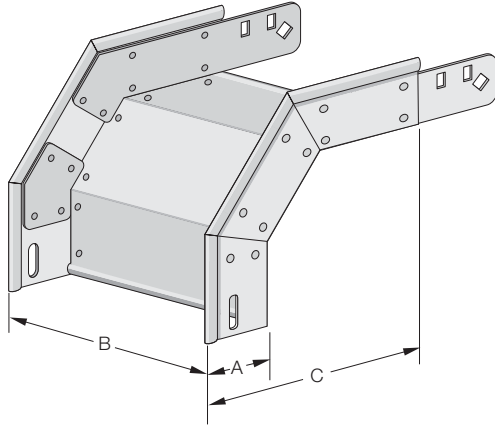
| Reference | B | Weight kg/m | m/pack |
|---------------|-----|-------------|--------|
| TCV10S | 100 | 0,20 | 1 |
| TCV15S | 150 | 0,28 | 1 |
| TCV20S | 200 | 0,36 | 1 |
| TCV30S | 300 | 0,52 | 1 |
| TCV40S | 400 | 0,67 | 1 |
| TCV50S | 500 | 0,82 | 1 |
| TCV60S | 600 | 0,98 | 1 |

| Reference | B | Weight kg/m | m/pack |
|---------------|-----|-------------|--------|
| TCV10G | 100 | 0,23 | 1 |
| TCV15G | 150 | 0,32 | 1 |
| TCV20G | 200 | 0,41 | 1 |
| TCV30G | 300 | 0,60 | 1 |
| TCV40G | 400 | 0,77 | 1 |
| TCV50G | 500 | 0,94 | 1 |
| TCV60G | 600 | 1,13 | 1 |



90° Outside bend

With coupling pieces incorporated into it



| Reference | A | B | C | Weight kg/pc. | pcs./pack |
|-----------|----|-----|-----|---------------|-----------|
| CX0310S | 35 | 100 | 185 | 0,62 | 1 |
| CX0315S | 35 | 150 | 185 | 0,72 | 1 |
| CX0320S | 35 | 200 | 185 | 0,83 | 1 |
| CX0330S | 35 | 300 | 185 | 1,03 | 1 |

| | | | | | |
|---------|----|-----|-----|------|---|
| CX0610S | 60 | 100 | 210 | 0,95 | 1 |
| CX0615S | 60 | 150 | 210 | 1,05 | 1 |
| CX0620S | 60 | 200 | 210 | 1,16 | 1 |
| CX0630S | 60 | 300 | 210 | 1,36 | 1 |
| CX0640S | 60 | 400 | 210 | 1,56 | 1 |
| CX0650S | 60 | 500 | 210 | 1,76 | 1 |
| CX0660S | 60 | 600 | 210 | 1,97 | 1 |

| | | | | | |
|---------|----|-----|-----|------|---|
| CX0810S | 85 | 100 | 235 | 1,30 | 1 |
| CX0815S | 85 | 150 | 235 | 1,40 | 1 |
| CX0820S | 85 | 200 | 235 | 1,51 | 1 |
| CX0830S | 85 | 300 | 235 | 1,71 | 1 |
| CX0840S | 85 | 400 | 235 | 1,91 | 1 |
| CX0850S | 85 | 500 | 235 | 2,12 | 1 |
| CX0860S | 85 | 600 | 235 | 2,32 | 1 |

| | | | | | |
|---------|-----|-----|-----|------|---|
| CX1010S | 110 | 100 | 260 | 1,74 | 1 |
| CX1015S | 110 | 150 | 260 | 1,84 | 1 |
| CX1020S | 110 | 200 | 260 | 1,95 | 1 |
| CX1030S | 110 | 300 | 260 | 2,15 | 1 |
| CX1040S | 110 | 400 | 260 | 2,35 | 1 |
| CX1050S | 110 | 500 | 260 | 2,55 | 1 |
| CX1060S | 110 | 600 | 260 | 2,76 | 1 |

Use TCA612Z3 bolts with toothed locknuts.

Coatings:

| | |
|---|----------------------|
| S | Sendzimir galvanized |
| G | Hot dip galvanized |

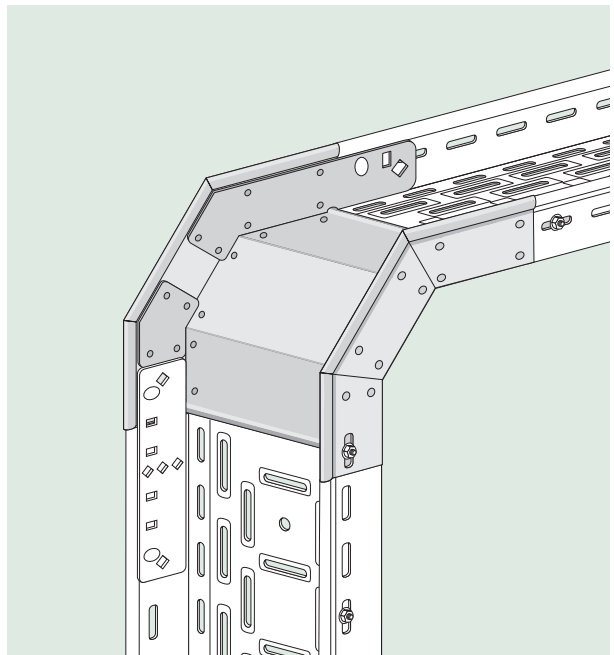
| Reference | A | B | C | Weight kg/pc. | pcs./pack |
|-----------|----|-----|-----|---------------|-----------|
| CX0310G | 35 | 100 | 185 | 0,71 | 1 |
| CX0315G | 35 | 150 | 185 | 0,83 | 1 |
| CX0320G | 35 | 200 | 185 | 0,95 | 1 |
| CX0330G | 35 | 300 | 185 | 1,19 | 1 |

| | | | | | |
|---------|----|-----|-----|------|---|
| CX0610G | 60 | 100 | 210 | 1,09 | 1 |
| CX0615G | 60 | 150 | 210 | 1,20 | 1 |
| CX0620G | 60 | 200 | 210 | 1,33 | 1 |
| CX0630G | 60 | 300 | 210 | 1,56 | 1 |
| CX0640G | 60 | 400 | 210 | 1,79 | 1 |
| CX0650G | 60 | 500 | 210 | 2,02 | 1 |
| CX0660G | 60 | 600 | 210 | 2,26 | 1 |

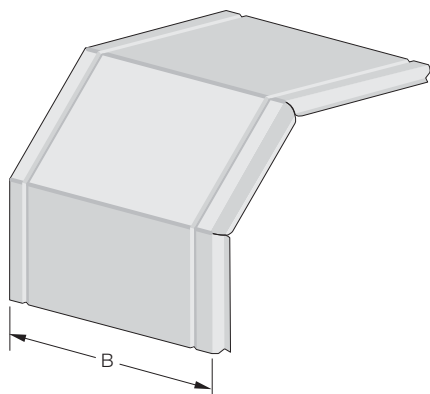
| | | | | | |
|---------|----|-----|-----|------|---|
| CX0810G | 85 | 100 | 235 | 1,50 | 1 |
| CX0815G | 85 | 150 | 235 | 1,61 | 1 |
| CX0820G | 85 | 200 | 235 | 1,74 | 1 |
| CX0830G | 85 | 300 | 235 | 1,97 | 1 |
| CX0840G | 85 | 400 | 235 | 2,20 | 1 |
| CX0850G | 85 | 500 | 235 | 2,43 | 1 |
| CX0860G | 85 | 600 | 235 | 2,67 | 1 |

| | | | | | |
|---------|-----|-----|-----|------|---|
| CX1010G | 110 | 100 | 260 | 2,00 | 1 |
| CX1015G | 110 | 150 | 260 | 2,11 | 1 |
| CX1020G | 110 | 200 | 260 | 2,24 | 1 |
| CX1030G | 110 | 300 | 260 | 2,47 | 1 |
| CX1040G | 110 | 400 | 260 | 2,70 | 1 |
| CX1050G | 110 | 500 | 260 | 2,93 | 1 |
| CX1060G | 110 | 600 | 260 | 3,17 | 1 |

Use TCA612G bolts with toothed locknuts.

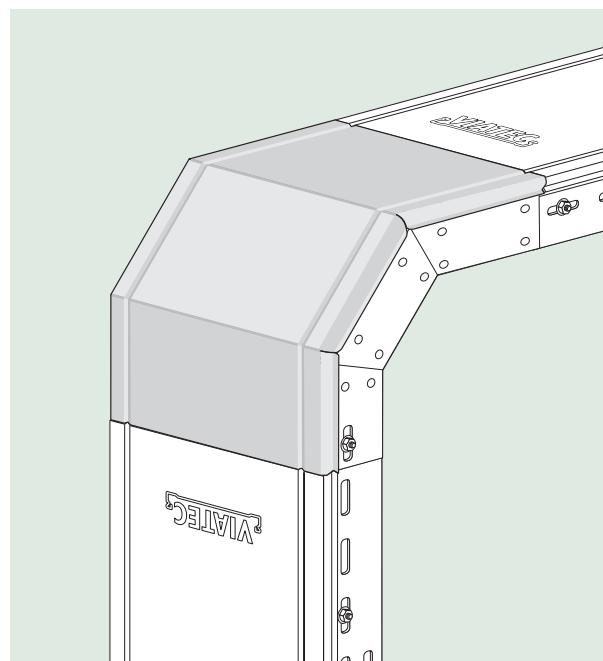


90° Outside bend cover



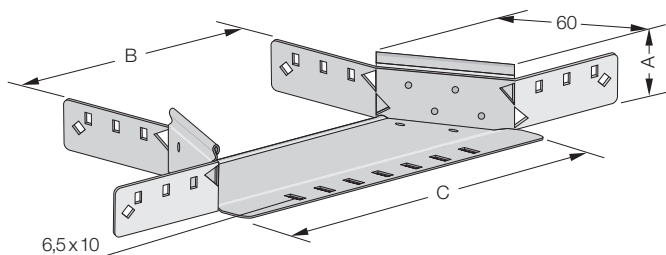
| Reference | Side | B | Weight kg/pc. | pcs./pack |
|-----------|------|-----|---------------|-----------|
| TCX0310S | 35 | 100 | 0,26 | 1 |
| TCX0315S | 35 | 150 | 0,37 | 1 |
| TCX0320S | 35 | 200 | 0,47 | 1 |
| TCX0330S | 35 | 300 | 0,67 | 1 |
| TCX0610S | 60 | 100 | 0,30 | 1 |
| TCX0615S | 60 | 150 | 0,42 | 1 |
| TCX0620S | 60 | 200 | 0,53 | 1 |
| TCX0630S | 60 | 300 | 0,76 | 1 |
| TCX0640S | 60 | 400 | 0,99 | 1 |
| TCX0650S | 60 | 500 | 1,22 | 1 |
| TCX0660S | 60 | 600 | 1,45 | 1 |
| TCX0810S | 85 | 100 | 0,34 | 1 |
| TCX0815S | 85 | 150 | 0,46 | 1 |
| TCX0820S | 85 | 200 | 0,59 | 1 |
| TCX0830S | 85 | 300 | 0,85 | 1 |
| TCX0840S | 85 | 400 | 1,11 | 1 |
| TCX0850S | 85 | 500 | 1,36 | 1 |
| TCX0860S | 85 | 600 | 1,62 | 1 |
| TCX1010S | 110 | 100 | 0,37 | 1 |
| TCX1015S | 110 | 150 | 0,51 | 1 |
| TCX1020S | 110 | 200 | 0,65 | 1 |
| TCX1030S | 110 | 300 | 0,94 | 1 |
| TCX1040S | 110 | 400 | 1,22 | 1 |
| TCX1050S | 110 | 500 | 1,50 | 1 |
| TCX1060S | 110 | 600 | 1,79 | 1 |

| Reference | Side | B | Weight kg/pc. | pcs./pack |
|-----------|------|-----|---------------|-----------|
| TCX0310G | 35 | 100 | 0,30 | 1 |
| TCX0315G | 35 | 150 | 0,43 | 1 |
| TCX0320G | 35 | 200 | 0,54 | 1 |
| TCX0330G | 35 | 300 | 0,77 | 1 |
| TCX0610G | 60 | 100 | 0,35 | 1 |
| TCX0615G | 60 | 150 | 0,48 | 1 |
| TCX0620G | 60 | 200 | 0,61 | 1 |
| TCX0630G | 60 | 300 | 0,87 | 1 |
| TCX0640G | 60 | 400 | 1,14 | 1 |
| TCX0650G | 60 | 500 | 1,40 | 1 |
| TCX0660G | 60 | 600 | 1,67 | 1 |
| TCX0810G | 85 | 100 | 0,39 | 1 |
| TCX0815G | 85 | 150 | 0,53 | 1 |
| TCX0820G | 85 | 200 | 0,68 | 1 |
| TCX0830G | 85 | 300 | 1,00 | 1 |
| TCX0840G | 85 | 400 | 1,28 | 1 |
| TCX0850G | 85 | 500 | 1,56 | 1 |
| TCX0860G | 85 | 600 | 1,86 | 1 |
| TCX1010G | 110 | 100 | 0,43 | 1 |
| TCX1015G | 110 | 150 | 0,59 | 1 |
| TCX1020G | 110 | 200 | 0,75 | 1 |
| TCX1030G | 110 | 300 | 1,08 | 1 |
| TCX1040G | 110 | 400 | 1,40 | 1 |
| TCX1050G | 110 | 500 | 1,73 | 1 |
| TCX1060G | 110 | 600 | 2,06 | 1 |



Derivation

With coupling pieces incorporated into it



| Reference | A | B | C | Weight kg/pc. | pcs./pack |
|-----------|-----|-----|-----|---------------|-----------|
| DT0310S | 35 | 100 | 215 | 0,33 | 1 |
| DT0315S | 35 | 150 | 265 | 0,36 | 1 |
| DT0320S | 35 | 200 | 315 | 0,38 | 1 |
| DT0330S | 35 | 300 | 415 | 0,45 | 1 |
| DT0610S | 60 | 100 | 215 | 0,58 | 1 |
| DT0615S | 60 | 150 | 265 | 0,60 | 1 |
| DT0620S | 60 | 200 | 315 | 0,63 | 1 |
| DT0630S | 60 | 300 | 415 | 0,70 | 1 |
| DT0640S | 60 | 400 | 515 | 0,75 | 1 |
| DT0650S | 60 | 500 | 615 | 0,81 | 1 |
| DT0660S | 60 | 600 | 715 | 0,87 | 1 |
| DT0810S | 85 | 100 | 215 | 0,77 | 1 |
| DT0815S | 85 | 150 | 265 | 0,79 | 1 |
| DT0820S | 85 | 200 | 315 | 0,82 | 1 |
| DT0830S | 85 | 300 | 415 | 0,88 | 1 |
| DT0840S | 85 | 400 | 515 | 0,94 | 1 |
| DT0850S | 85 | 500 | 615 | 0,99 | 1 |
| DT0860S | 85 | 600 | 715 | 1,06 | 1 |
| DT1010S | 110 | 100 | 215 | 0,95 | 1 |
| DT1015S | 110 | 150 | 265 | 0,98 | 1 |
| DT1020S | 110 | 200 | 315 | 1,01 | 1 |
| DT1030S | 110 | 300 | 415 | 1,07 | 1 |
| DT1040S | 110 | 400 | 515 | 1,13 | 1 |
| DT1050S | 110 | 500 | 615 | 1,18 | 1 |
| DT1060S | 110 | 600 | 715 | 1,25 | 1 |

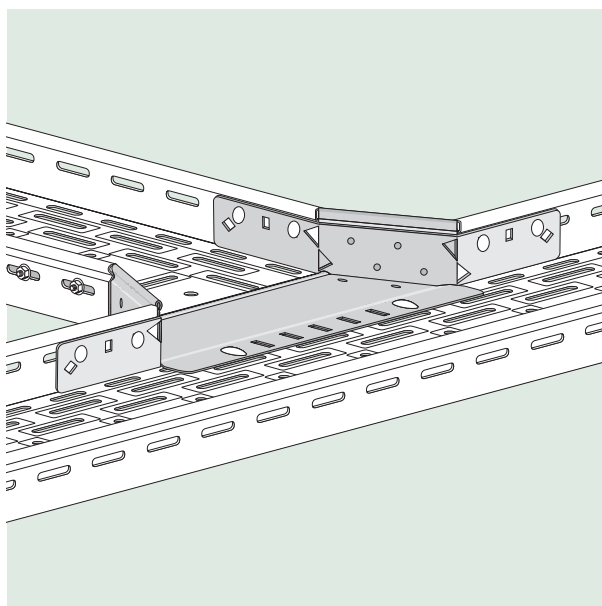
Use TCA612Z3 bolts with toothed locknuts.

Coatings:

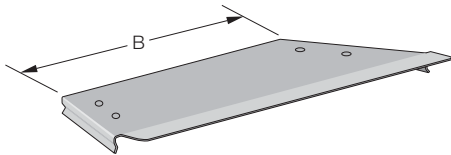
| | |
|----------|----------------------|
| S | Sendzimir galvanized |
| G | Hot dip galvanized |

| Reference | A | B | C | Weight kg/pc. | pcs./pack |
|-----------|-----|-----|-----|---------------|-----------|
| DT0310G | 35 | 100 | 215 | 0,38 | 1 |
| DT0315G | 35 | 150 | 265 | 0,41 | 1 |
| DT0320G | 35 | 200 | 315 | 0,44 | 1 |
| DT0330G | 35 | 300 | 415 | 0,51 | 1 |
| DT0610G | 60 | 100 | 215 | 0,67 | 1 |
| DT0615G | 60 | 150 | 265 | 0,69 | 1 |
| DT0620S | 60 | 200 | 315 | 0,73 | 1 |
| DT0630G | 60 | 300 | 415 | 0,80 | 1 |
| DT0640G | 60 | 400 | 515 | 0,86 | 1 |
| DT0650G | 60 | 500 | 615 | 0,93 | 1 |
| DT0660G | 60 | 600 | 715 | 1,00 | 1 |
| DT0810G | 85 | 100 | 215 | 0,88 | 1 |
| DT0815G | 85 | 150 | 265 | 0,91 | 1 |
| DT0820G | 85 | 200 | 315 | 0,94 | 1 |
| DT0830G | 85 | 300 | 415 | 1,02 | 1 |
| DT0840G | 85 | 400 | 515 | 1,08 | 1 |
| DT0850G | 85 | 500 | 615 | 1,14 | 1 |
| DT0860G | 85 | 600 | 715 | 1,22 | 1 |
| DT1010G | 110 | 100 | 215 | 1,10 | 1 |
| DT1015G | 110 | 150 | 265 | 1,13 | 1 |
| DT1020G | 110 | 200 | 315 | 1,16 | 1 |
| DT1030G | 110 | 300 | 415 | 1,23 | 1 |
| DT1040G | 110 | 400 | 515 | 1,30 | 1 |
| DT1050G | 110 | 500 | 615 | 1,36 | 1 |
| DT1060G | 110 | 600 | 715 | 1,43 | 1 |

Use TCA612G bolts toothed locknuts.

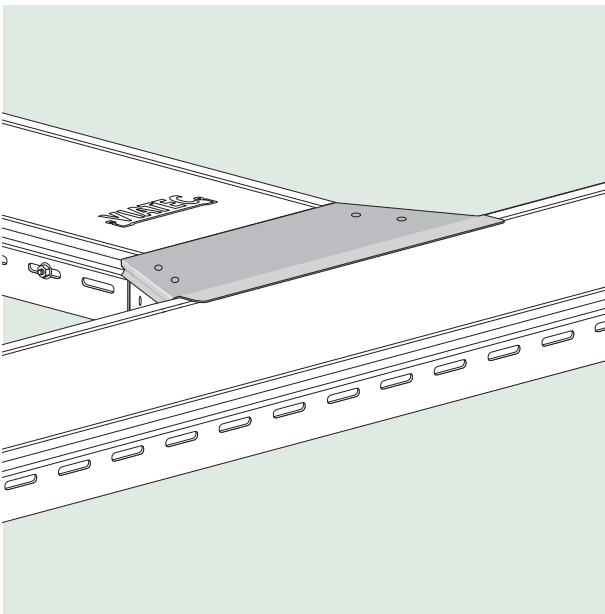


Derivation cover



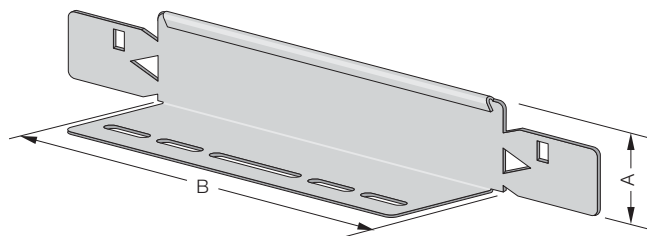
| Reference | B | Weight kg/m | m/pack |
|---------------|-----|-------------|--------|
| TDT10S | 100 | 0,11 | 1 |
| TDT15S | 150 | 0,14 | 1 |
| TDT20S | 200 | 0,16 | 1 |
| TDT30S | 300 | 0,20 | 1 |
| TDT40S | 400 | 0,25 | 1 |
| TDT50S | 500 | 0,29 | 1 |
| TDT60S | 600 | 0,40 | 1 |

| Reference | B | Weight kg/m | m/pack |
|---------------|-----|-------------|--------|
| TDT10G | 100 | 0,13 | 1 |
| TDT15G | 150 | 0,16 | 1 |
| TDT20G | 200 | 0,18 | 1 |
| TDT30G | 300 | 0,23 | 1 |
| TDT40G | 400 | 0,28 | 1 |
| TDT50G | 500 | 0,33 | 1 |
| TDT60G | 600 | 0,46 | 1 |



Complements

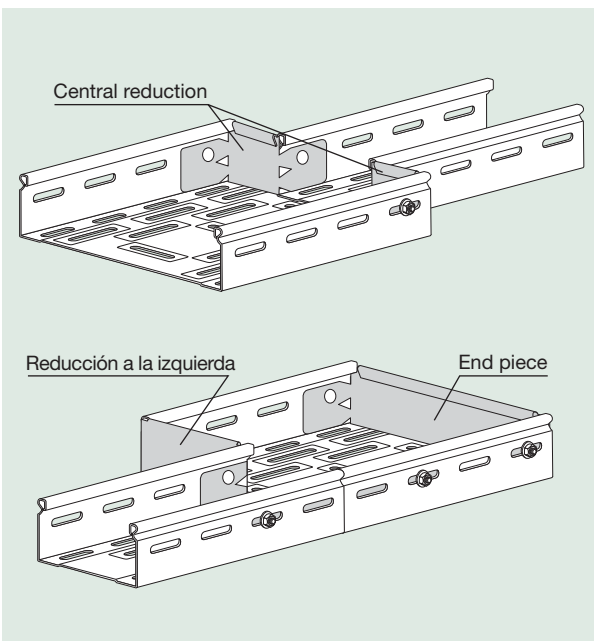
Reduction or end piece



Coatings:

| | |
|-----------|---|
| Z3 | Ecologic zinc plating |
| S | Sendzimir galvanized |
| G | Hot dip galvanized |
| I | Stainless steel AISI 304L/316L Passivated |

MULTIVIA®



| Reference | A | B | Weight kg/pc. | pcs./pack |
|-----------------|----|-----|---------------|-----------|
| RTF0605S | 60 | 50 | 0,05 | 1 |
| RTF0610S | 60 | 100 | 0,10 | 1 |
| RTF0615S | 60 | 150 | 0,13 | 1 |
| RTF0620S | 60 | 200 | 0,16 | 1 |
| RTF0630S | 60 | 300 | 0,25 | 1 |
| RTF0640S | 60 | 400 | 0,31 | 1 |
| RTF0650S | 60 | 500 | 0,39 | 1 |
| RTF0660S | 60 | 600 | 0,48 | 1 |

| | | | | |
|-----------------|----|-----|------|---|
| RTF0805S | 85 | 50 | 0,08 | 1 |
| RTF0810S | 85 | 100 | 0,12 | 1 |
| RTF0815S | 85 | 150 | 0,16 | 1 |
| RTF0820S | 85 | 200 | 0,21 | 1 |
| RTF0830S | 85 | 300 | 0,30 | 1 |
| RTF0840S | 85 | 400 | 0,40 | 1 |
| RTF0850S | 85 | 500 | 0,48 | 1 |
| RTF0860S | 85 | 600 | 0,59 | 1 |

| | | | | |
|-----------------|-----|-----|------|---|
| RTF1005S | 110 | 50 | 0,11 | 1 |
| RTF1010S | 110 | 100 | 0,16 | 1 |
| RTF1015S | 110 | 150 | 0,19 | 1 |
| RTF1020S | 110 | 200 | 0,24 | 1 |
| RTF1030S | 110 | 300 | 0,35 | 1 |
| RTF1040S | 110 | 400 | 0,46 | 1 |
| RTF1050S | 110 | 500 | 0,56 | 1 |
| RTF1060S | 110 | 600 | 0,67 | 1 |

Use TCA612Z3 bolts with toothed locknuts.

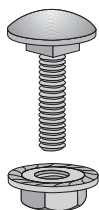
| Reference | A | B | Weight kg/pc. | pcs./pack |
|-----------------|----|-----|---------------|-----------|
| RTF0605G | 60 | 50 | 0,06 | 1 |
| RTF0610G | 60 | 100 | 0,12 | 1 |
| RTF0615G | 60 | 150 | 0,15 | 1 |
| RTF0620G | 60 | 200 | 0,19 | 1 |
| RTF0630G | 60 | 300 | 0,29 | 1 |
| RTF0640G | 60 | 400 | 0,36 | 1 |
| RTF0650G | 60 | 500 | 0,45 | 1 |
| RTF0660G | 60 | 600 | 0,56 | 1 |

| | | | | |
|-----------------|----|-----|------|---|
| RTF0805G | 85 | 50 | 0,09 | 1 |
| RTF0810G | 85 | 100 | 0,14 | 1 |
| RTF0815G | 85 | 150 | 0,19 | 1 |
| RTF0820G | 85 | 200 | 0,24 | 1 |
| RTF0830G | 85 | 300 | 0,35 | 1 |
| RTF0840G | 85 | 400 | 0,46 | 1 |
| RTF0850G | 85 | 500 | 0,55 | 1 |
| RTF0860G | 85 | 600 | 0,67 | 1 |

| | | | | |
|-----------------|-----|-----|------|---|
| RTF1005G | 110 | 50 | 0,12 | 1 |
| RTF1010G | 110 | 100 | 0,19 | 1 |
| RTF1015G | 110 | 150 | 0,22 | 1 |
| RTF1020G | 110 | 200 | 0,28 | 1 |
| RTF1030G | 110 | 300 | 0,40 | 1 |
| RTF1040G | 110 | 400 | 0,52 | 1 |
| RTF1050G | 110 | 500 | 0,64 | 1 |
| RTF1060G | 110 | 600 | 0,77 | 1 |

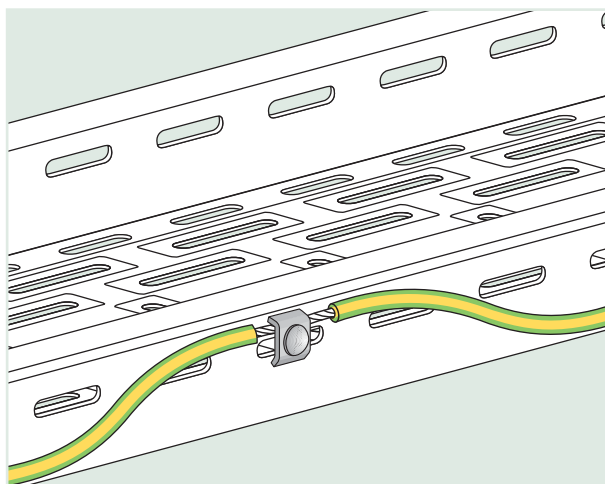
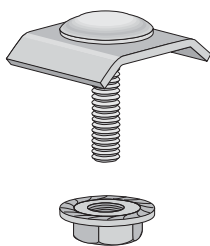
Use TCA612G bolts with toothed locknuts.

Bolts with toothed locknuts for VIATEC cable trays



| Reference | Thread | Weight kg/pc. | pcs./pack |
|-----------------|----------|---------------|-----------|
| TCA612Z3 | M6 x 12 | 0,01 | 100 |
| TCA670Z3 | M6 x 70 | 0,02 | 50 |
| TCA820Z3 | M8 x 20 | 0,02 | 50 |
| TCA860Z3 | M8 x 60 | 0,03 | 50 |
| TCA1025G | M10 x 25 | 0,04 | 50 |
| TCA612G | M6 x 12 | 0,01 | 100 |
| TCA620G | M6 x 20 | 0,01 | 50 |
| TCA620I | M6 x 20 | 0,01 | 50 |
| TCA820I | M8 x 20 | 0,02 | 50 |

Ground connection for VIATEC



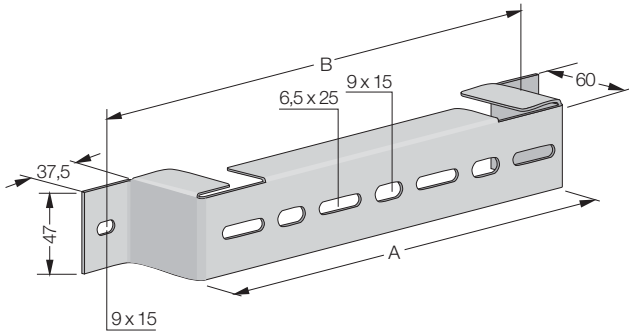
For this application, use the FSR.. VIAFIL fixation clamp (pag. 18)

Distancing support

Coatings:

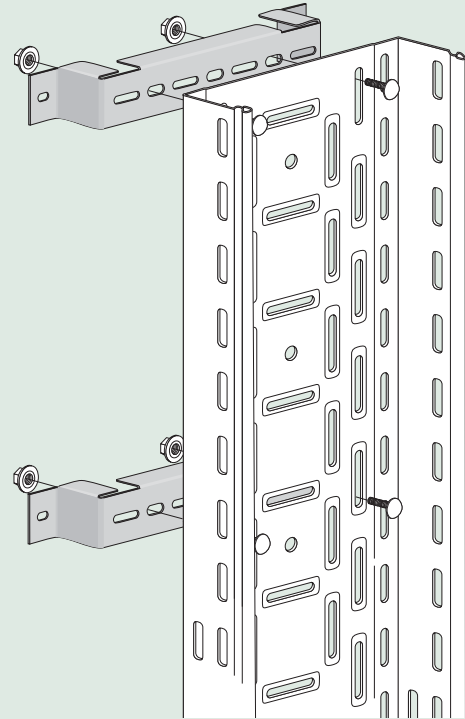


| | |
|----------|---|
| S | Sendzimir galvanized |
| G | Hot dip galvanized |
| I | Stainless steel AISI 304L/316L Passivated |

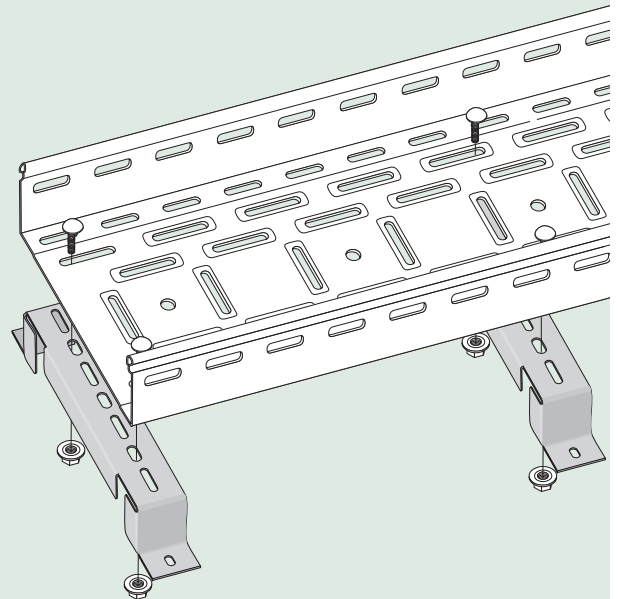


| Reference | A | B | Weight kg/pc. | pcs./pack |
|---------------|-----|-----|---------------|-----------|
| SVD10S | 100 | 148 | 0,26 | 5 |
| SVD15S | 150 | 198 | 0,30 | 5 |
| SVD20S | 200 | 248 | 0,34 | 5 |
| SVD30S | 300 | 348 | 0,43 | 5 |
| SVD40S | 400 | 448 | 0,52 | 5 |
| SVD50S | 500 | 548 | 0,89 | 5 |
| SVD60S | 600 | 648 | 1,03 | 5 |
| SVD10G | 100 | 148 | 0,30 | 5 |
| SVD15G | 150 | 198 | 0,35 | 5 |
| SVD20G | 200 | 248 | 0,39 | 5 |
| SVD30G | 300 | 348 | 0,49 | 5 |
| SVD40G | 400 | 448 | 0,60 | 5 |
| SVD50G | 500 | 548 | 1,02 | 5 |
| SVD60G | 600 | 648 | 1,18 | 5 |
| SVD10I | 100 | 148 | 0,26 | 5 |
| SVD15I | 150 | 198 | 0,30 | 5 |
| SVD20I | 200 | 248 | 0,34 | 5 |
| SVD30I | 300 | 348 | 0,43 | 5 |
| SVD40I | 400 | 448 | 0,52 | 5 |
| SVD50I | 500 | 548 | 0,89 | 5 |
| SVD60I | 600 | 648 | 1,03 | 5 |

To wall

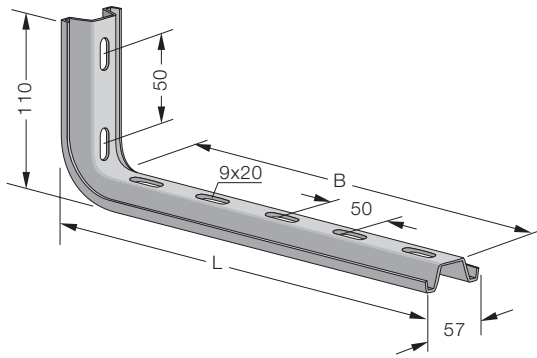


To floor



"OMEGA" supports and elements

"OMEGA" profile bracket



| Reference | Cable tray width | B | L | Weight kg/pc. | pcs./pack |
|--------------|------------------|-----|-----|---------------|-----------|
| SO14S | 100 | 145 | 170 | 0,32 | 10 |
| SO19S | 150 | 195 | 220 | 0,38 | 10 |
| SO24S | 200 | 245 | 270 | 0,45 | 10 |
| SO34S | 300 | 345 | 370 | 0,59 | 10 |
| SO14G | 100 | 145 | 170 | 0,35 | 10 |
| SO19G | 150 | 195 | 220 | 0,42 | 10 |
| SO24G | 200 | 245 | 270 | 0,50 | 10 |
| SO34G | 300 | 345 | 370 | 0,65 | 10 |

To fix it to an "OMEGA" hanging profile, use 2 TCA820.. bolts with toothed locknut. To fill it to a wall mounted "C" profile, use TE835Z3 bolts with TG8Z3 guided locknuts and TSOZ3 shim.

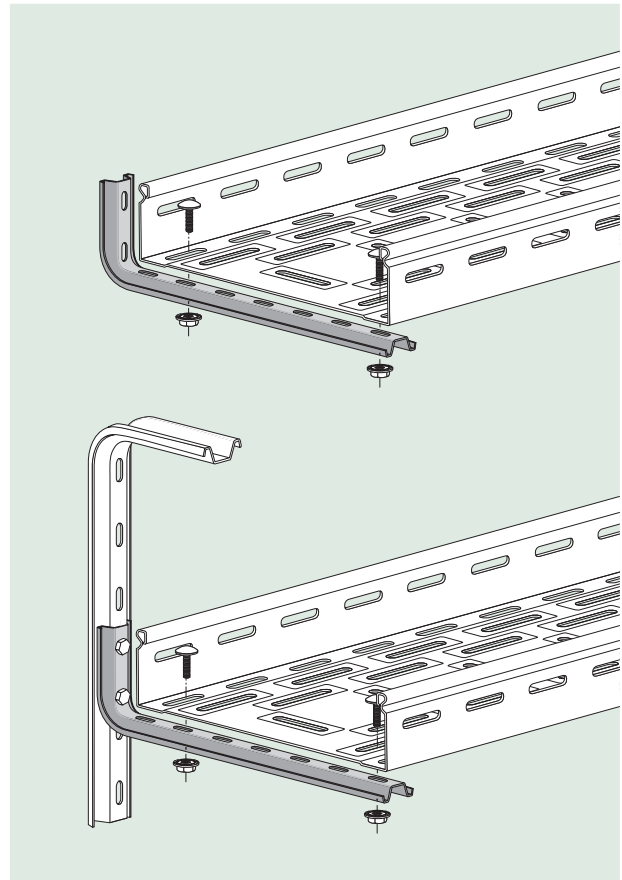
Coatings:

Z3 Ecologic zinc plating

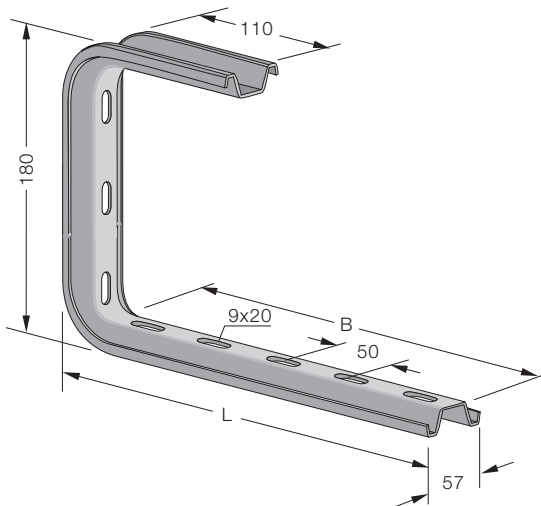
S Sendzimir galvanized

G Hot dip galvanized

MULTIVIA®



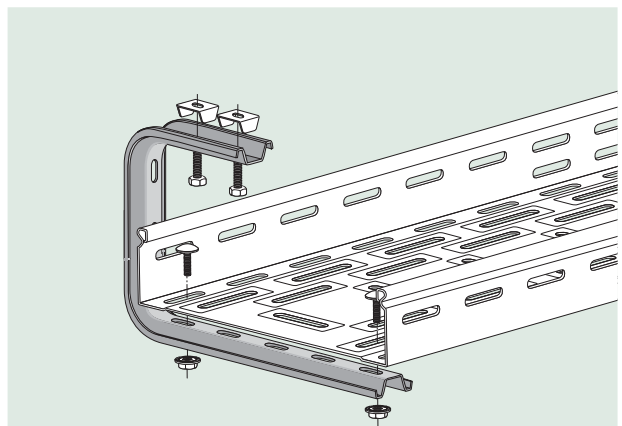
"OMEGA" profile ceiling support



| Reference | Cable tray width | B | L | Weight kg/pc. | pcs./pack |
|---------------|------------------|-----|-----|---------------|-----------|
| STO14S | 100 | 145 | 170 | 0,56 | 1 |
| STO24S | 200 | 245 | 270 | 0,64 | 1 |
| STO34S | 300 | 345 | 370 | 0,76 | 1 |
| STO14G | 100 | 145 | 170 | 0,62 | 1 |
| STO24G | 200 | 245 | 270 | 0,70 | 1 |
| STO34G | 300 | 345 | 370 | 0,84 | 1 |

For ceiling fixation, use TSOZ3 shim.

All measurements in mm

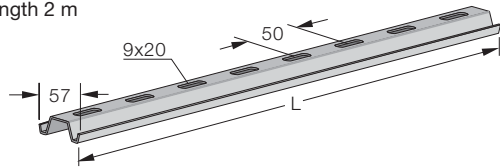


Support load capacity

| Reference | Cable tray width | Load (N) |
|----------------|------------------|----------|
| SO14.. | 100 | 900 |
| SO19.. | 150 | 900 |
| SO24.. | 200 | 900 |
| SO34.. | 300 | 900 |
| STO14.. | 100 | 700 |
| STO24.. | 200 | 700 |
| STO34.. | 300 | 700 |

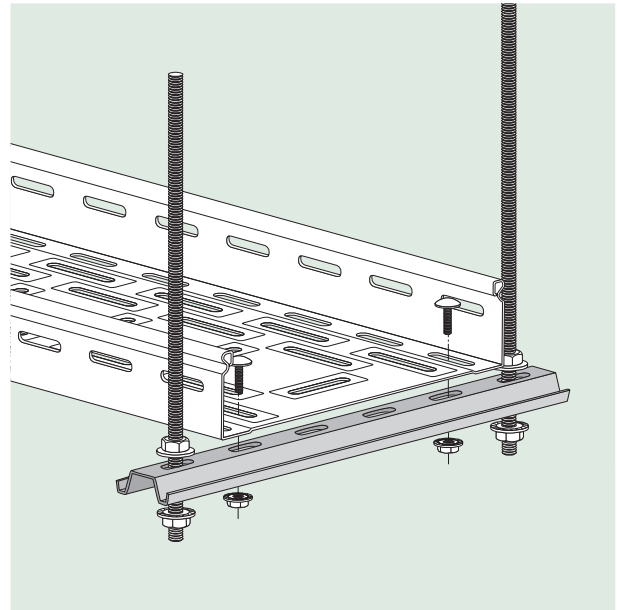
“OMEGA” profile for trapeze suspension

Length 2 m

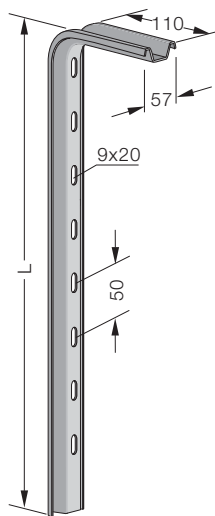


| Reference | Cable tray width | L | Weight kg/pc | Emb/m |
|--------------|------------------|-----|--------------|-------|
| PO20S | 200 | 300 | 0,39 | 10 |
| PO30S | 300 | 400 | 0,52 | 10 |
| PO40S | 400 | 500 | 0,64 | 10 |
| PO50S | 500 | 600 | 0,77 | 10 |
| PO60S | 600 | 700 | 0,90 | 10 |
| PO20G | 200 | 300 | 0,43 | 10 |
| PO30G | 300 | 400 | 0,58 | 10 |
| PO40G | 400 | 500 | 0,72 | 10 |
| PO50G | 500 | 600 | 0,86 | 10 |
| PO60G | 600 | 700 | 1,00 | 10 |

Use VS8.. hanging rod. For an easier assembly, use TSOZ3 shims.

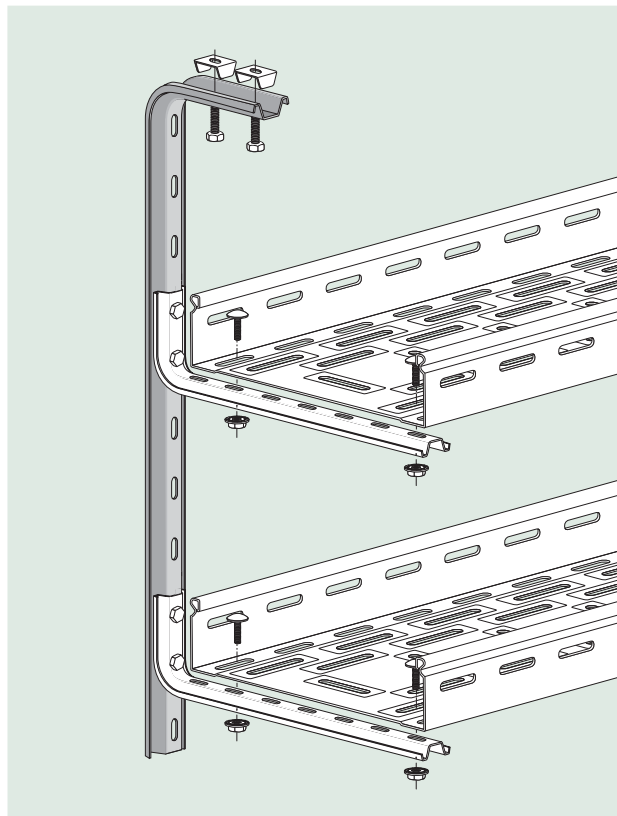


“OMEGA” hanging profile

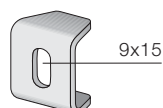


| Reference | L | Weight kg/pc. | pcs./pack |
|---------------|-----|---------------|-----------|
| PSO44S | 470 | 1,44 | 5 |
| PSO54S | 570 | 1,66 | 5 |
| PSO64S | 670 | 1,80 | 5 |
| PSO44G | 470 | 1,61 | 5 |
| PSO54G | 570 | 1,85 | 5 |
| PSO64G | 670 | 2,02 | 5 |

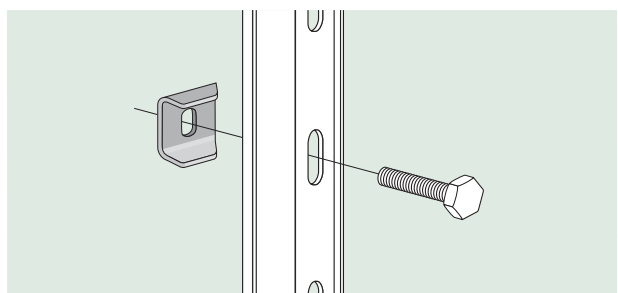
For ceiling fixation, use TSOZ3 shim.



Shim for “OMEGA” profile



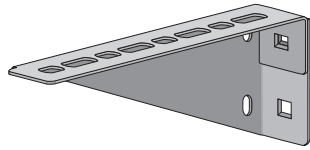
| Reference | Weight kg/pc. | pcs./pack |
|--------------|---------------|-----------|
| TSOZ3 | 0,01 | 5 |



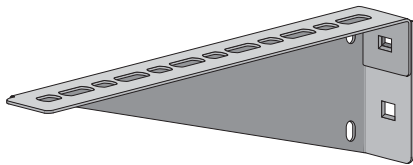
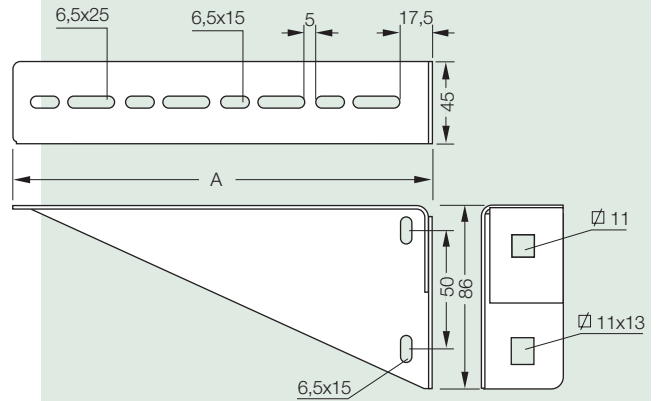
Support for wall or "C" profile

Coatings:

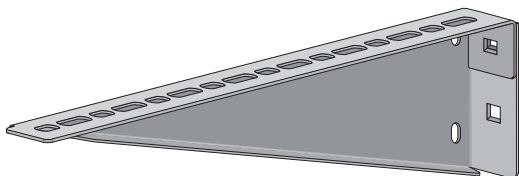
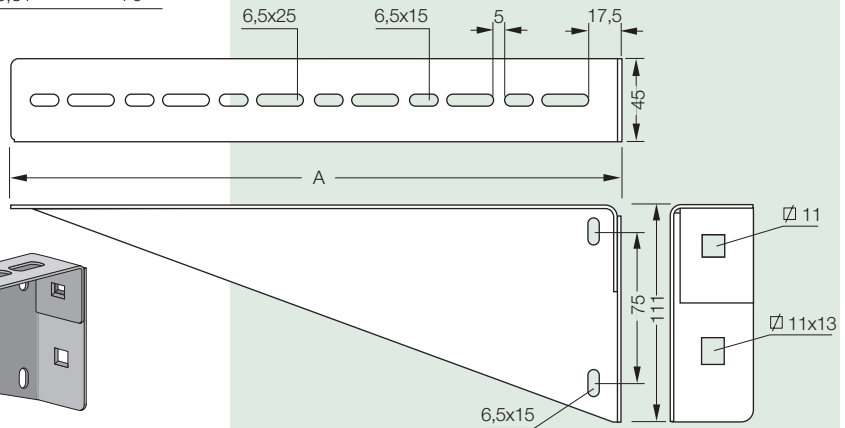
| | |
|----------|---|
| S | Sendzimir galvanized |
| G | Hot dip galvanized |
| I | Stainless steel AISI 304L/316L Passivated |



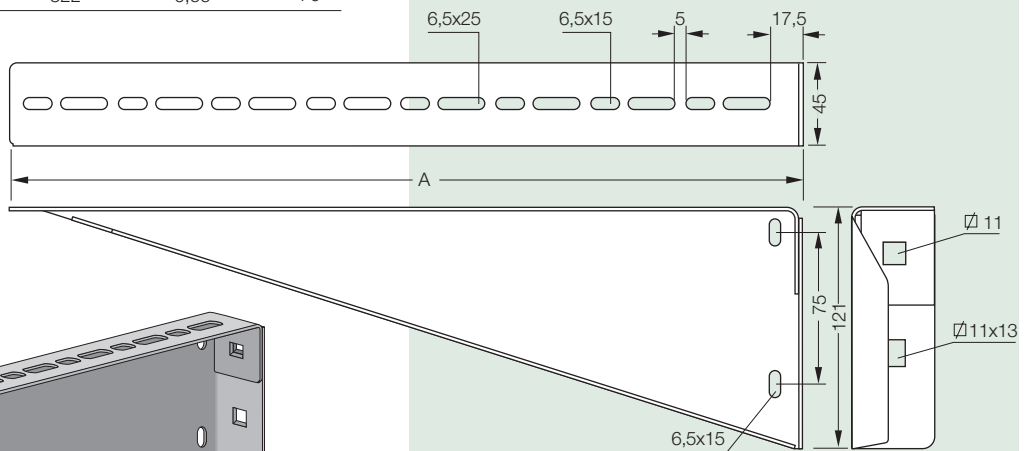
| Reference | Cable tray width | A | Weight kg/m | m/Pack |
|---------------|------------------|-----|-------------|--------|
| SHE10S | 100 | 122 | 0,22 | 10 |
| SHE15S | 150 | 172 | 0,28 | 10 |
| SHE20S | 200 | 222 | 0,31 | 10 |
| SHE10G | 100 | 122 | 0,24 | 10 |
| SHE15G | 150 | 172 | 0,31 | 10 |
| SHE20G | 200 | 222 | 0,34 | 10 |
| SHE10I | 100 | 122 | 0,22 | 10 |
| SHE15I | 150 | 172 | 0,28 | 10 |
| SHE20I | 200 | 222 | 0,31 | 10 |

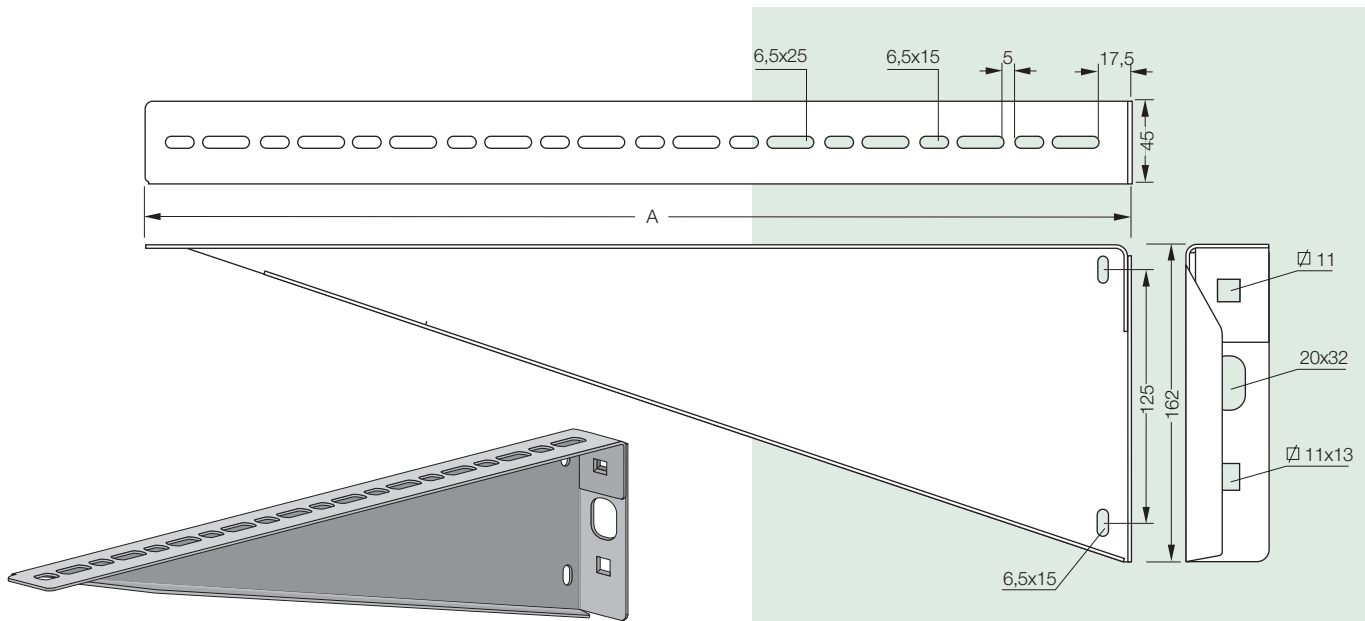


| Reference | Cable tray width | A | Weight kg/m | m/Pack |
|---------------|------------------|-----|-------------|--------|
| SHE30S | 300 | 322 | 0,55 | 10 |
| SHE30G | 300 | 322 | 0,61 | 10 |
| SHE30I | 300 | 322 | 0,55 | 10 |



| Reference | Cable tray width | A | Weight kg/m | m/Pack |
|---------------|------------------|-----|-------------|--------|
| SHE40S | 400 | 422 | 0,86 | 5 |
| SHE40G | 400 | 422 | 0,95 | 5 |
| SHE40I | 400 | 422 | 0,86 | 5 |



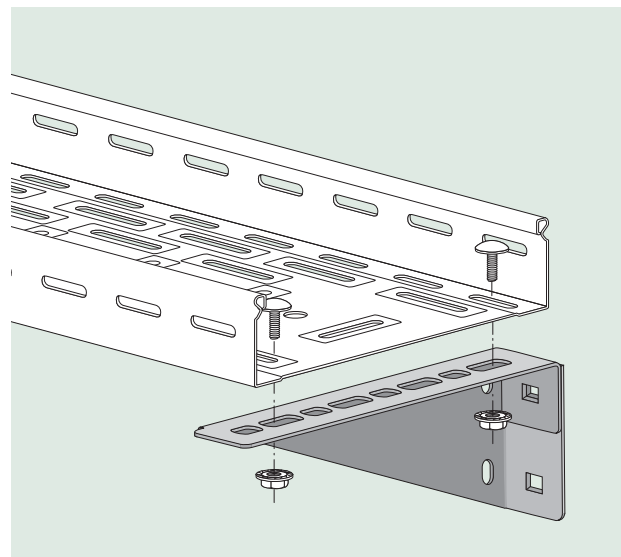


| Reference | Cable tray width | A | Weight kg/m | m/Pack |
|---------------|------------------|-----|-------------|--------|
| SHE50S | 500 | 522 | 1,14 | 5 |
| SHE60S | 600 | 622 | 1,42 | 5 |
| SHE50G | 500 | 522 | 1,25 | 5 |
| SHE60G | 600 | 622 | 1,56 | 5 |
| SHE50I | 500 | 522 | 1,14 | 5 |
| SHE60I | 600 | 622 | 1,42 | 5 |

For fixation over a "C" profile use 2 TE1015Z3 bolts with TG10Z3 guided locknuts.

Support load capacity

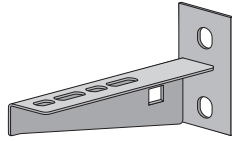
| Reference | Cable tray width | Load (N) |
|----------------|------------------|----------|
| SHE10.. | 100 | 1000 |
| SHE15.. | 150 | 1000 |
| SHE20.. | 200 | 1000 |
| SHE30.. | 300 | 1000 |
| SHE40.. | 400 | 1000 |
| SHE50.. | 500 | 1500 |
| SHE60.. | 600 | 1500 |



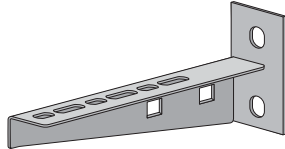
Support for wall or "C" profile

Coatings:

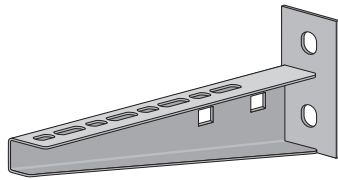
G Hot dip galvanized



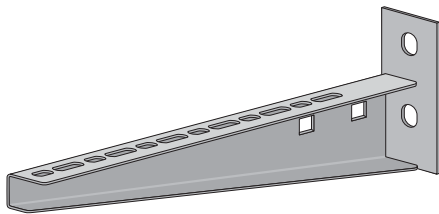
| Reference | Cable tray width | Weight kg/pc. | pcs./pack |
|---------------|------------------|---------------|-----------|
| SEC10G | 100 | 0,15 | 10 |



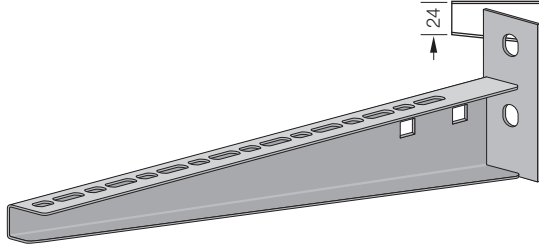
| Reference | Cable tray width | Weight kg/pc. | pcs./pack |
|---------------|------------------|---------------|-----------|
| SEC15G | 150 | 0,19 | 10 |



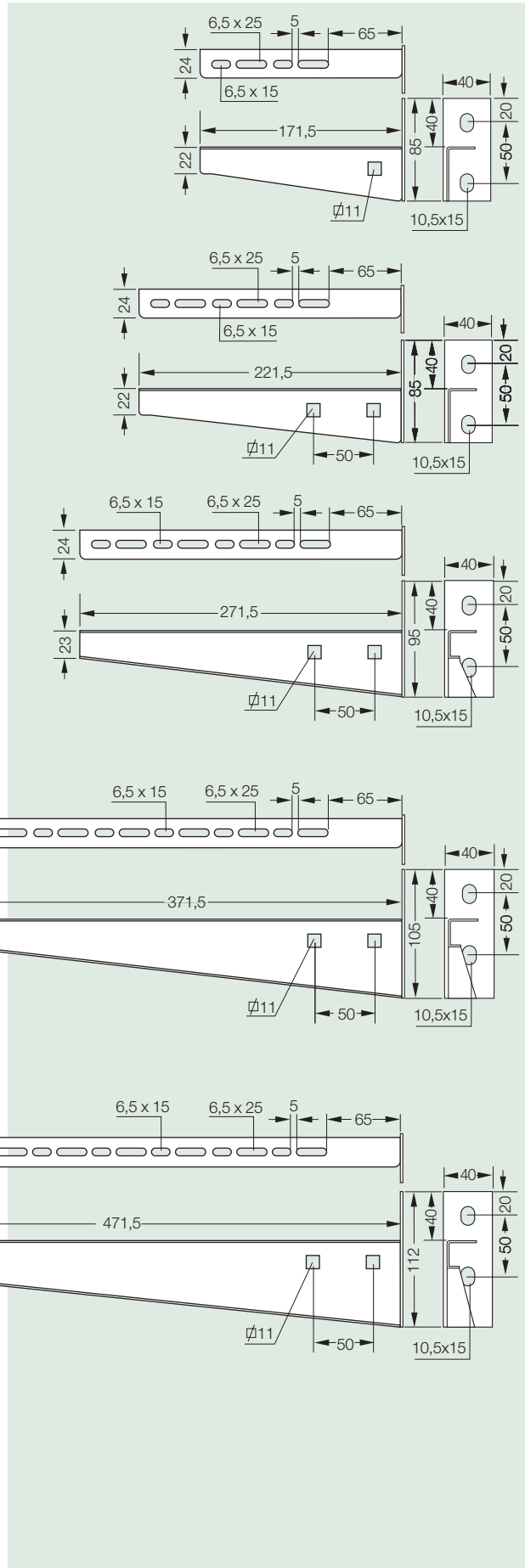
| Reference | Cable tray width | Weight kg/pc. | pcs./pack |
|---------------|------------------|---------------|-----------|
| SEC20G | 200 | 0,31 | 10 |

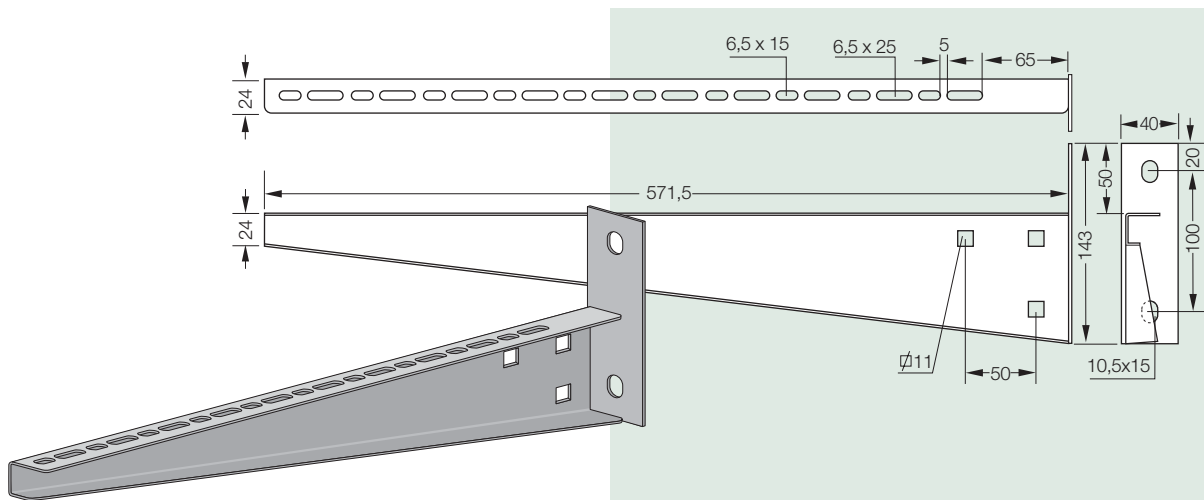


| Reference | Cable tray width | Weight kg/pc. | pcs./pack |
|---------------|------------------|---------------|-----------|
| SEC30G | 300 | 0,45 | 10 |

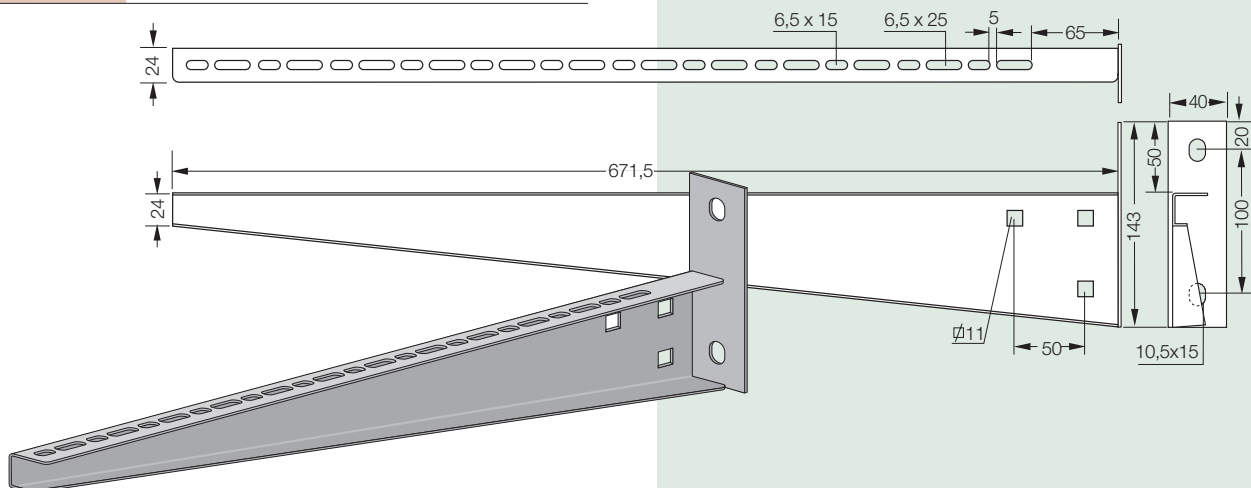


| Reference | Cable tray width | Weight kg/pc. | pcs./pack |
|---------------|------------------|---------------|-----------|
| SEC40G | 400 | 0,61 | 5 |



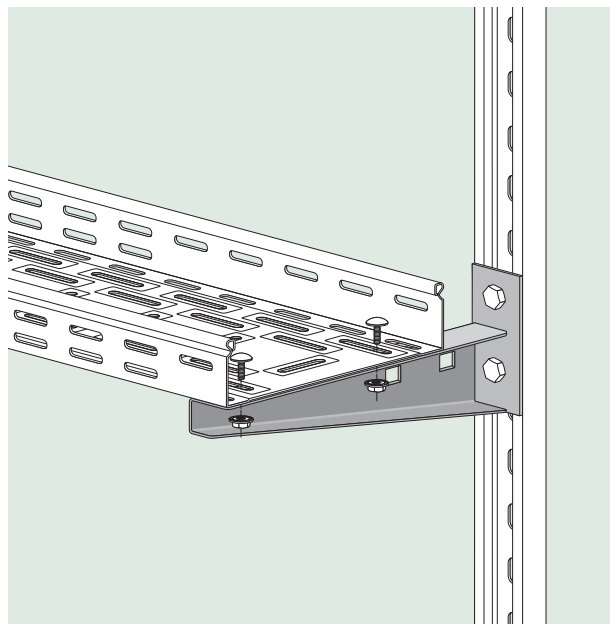


| Reference | Cable tray width | Weight kg/pc. | pcs./pack |
|---------------|------------------|---------------|-----------|
| SEC50G | 500 | 0,85 | 5 |



| Reference | Cable tray width | Weight kg/pc. | pcs./pack |
|---------------|------------------|---------------|-----------|
| SEC60G | 600 | 1,02 | 5 |

For fixation over a "C" profile use 2 TE1015Z3 bolts with TG10Z3 guided locknuts.



Support load capacity

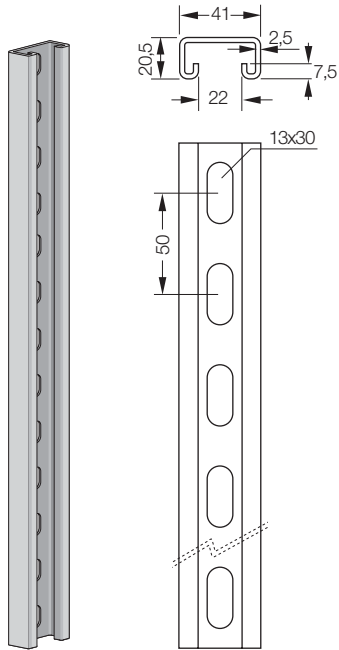
| Reference | Cable tray width | Load (N) |
|---------------|------------------|----------|
| SEC10G | 100 | 1000 |
| SEC15G | 150 | 1000 |
| SEC20G | 200 | 1000 |
| SEC30G | 300 | 1000 |
| SEC40G | 400 | 1000 |
| SEC50G | 500 | 1500 |
| SEC60G | 600 | 1500 |

All measurements in mm

Elements for supports

“C21” profile (41 x 21 mm)

Length 3 m



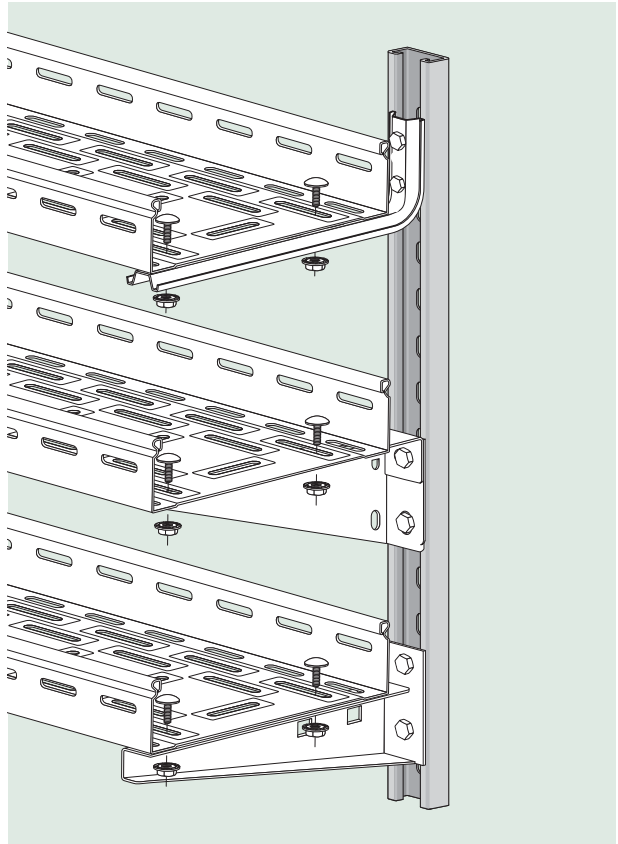
| Reference | Weight kg/u | pcs./pack |
|------------|-------------|-----------|
| PCS | 1,73 | 12 |
| PCG | 1,90 | 12 |

To be used with SHE.. and SEC supports fixing them with TE1015Z3 bolts and TG10Z3 guided locknuts. Use SO “OMEGA” supports fixing them with TE835Z3 bolts, TG8Z3 guided locknuts and TSOZ3 shims.

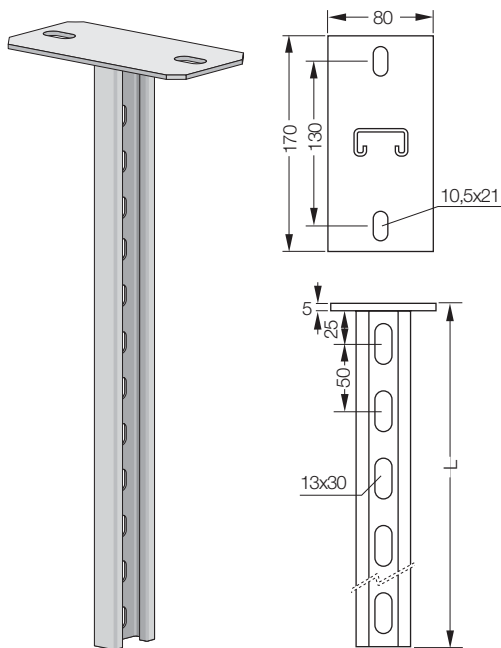
Coatings:

| | |
|-----------|-----------------------|
| Z3 | Ecologic zinc plating |
| S | Sendzimir galvanized |
| G | Hot dip galvanized |

MULTIVIA®



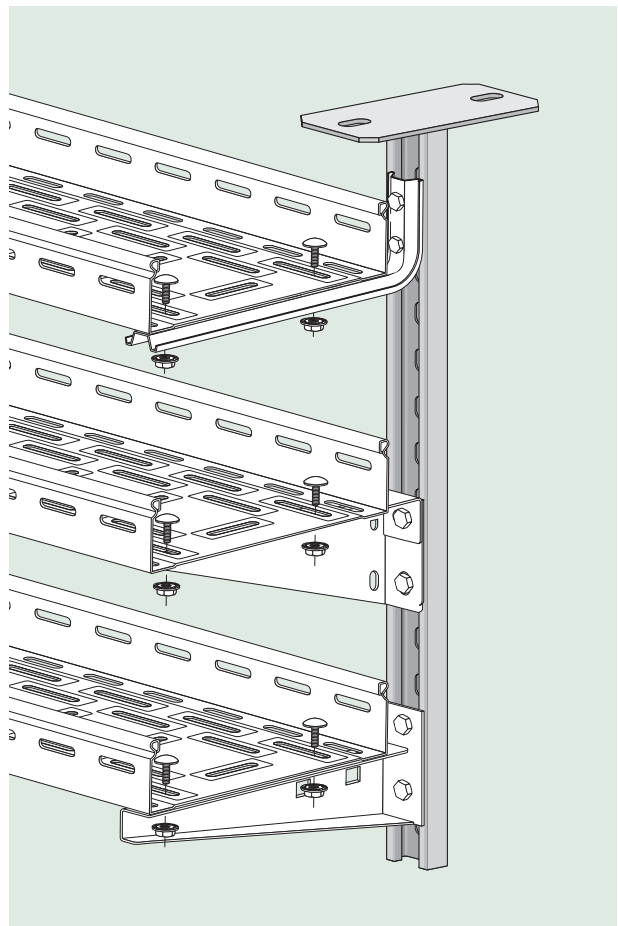
“C21” profile with head plate



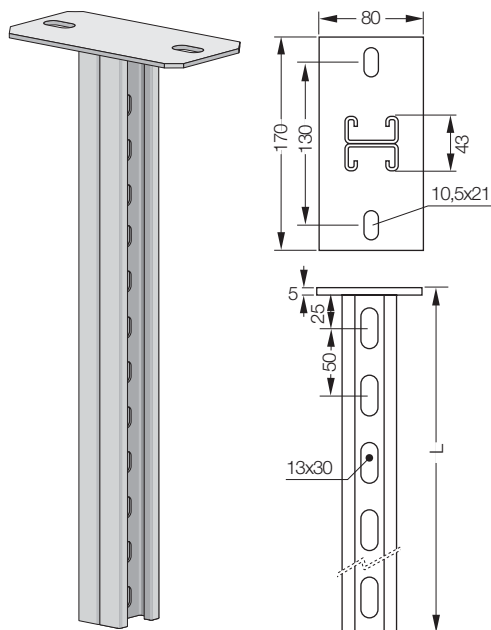
| Reference | L | Weight kg/u | pcs./pack |
|----------------|------|-------------|-----------|
| PCB50G | 500 | 1,62 | 1 |
| PCB100G | 1000 | 2,57 | 1 |

To be used with SHE.. and SEC supports fixing them with TE1015Z3 bolts and TG10Z3 guided locknuts. Use “OMEGA” supports fixing them with TE835Z3 bolts, TG8Z3 guided locknuts and TSOZ3 shims.

All measurements in mm

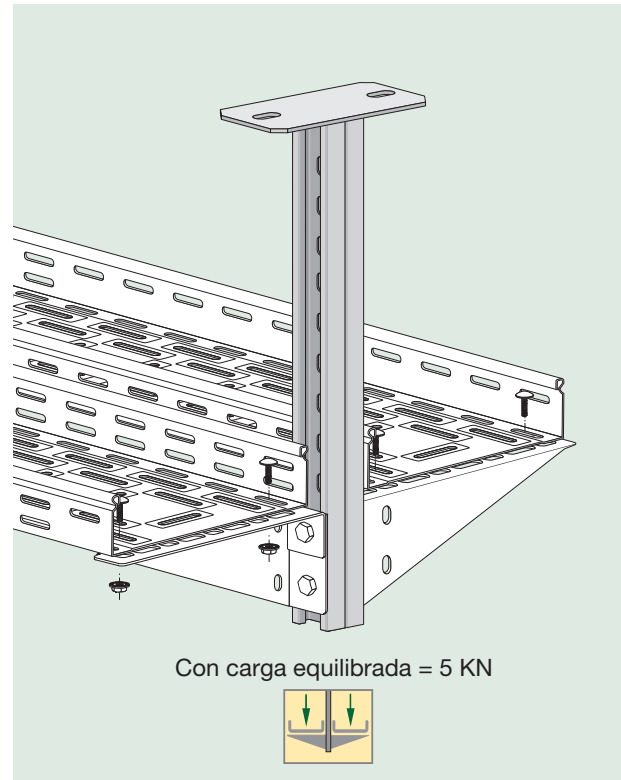


Double "C21" profile with head plate

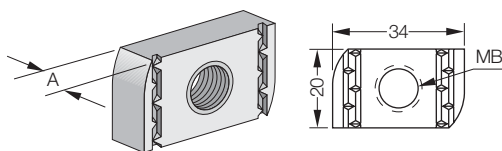


| Reference | L | Weight kg/u | pcs./pack |
|-----------------|------|-------------|-----------|
| PDCB50G | 500 | 2,57 | 1 |
| PDCB100G | 1000 | 4,48 | 1 |

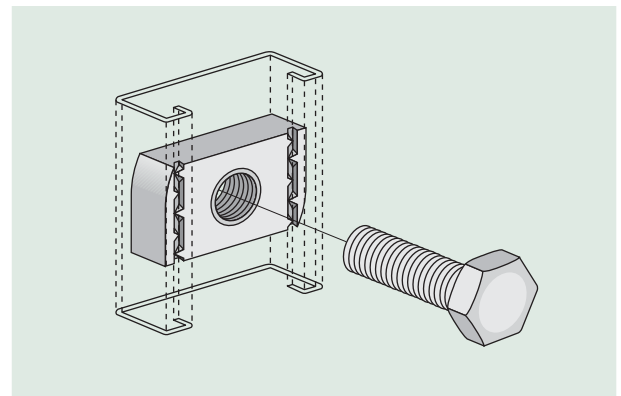
To be used with SHE.. and SEC supports fixing them with TE1015Z3 bolts and TG10Z3 guided locknuts.



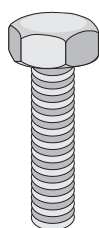
Guided locknut for "C" profiles



| Reference | Thread | A | Weight kg/m | pcs./pack |
|---------------|--------|---|-------------|-----------|
| TG8Z3 | M8 | 6 | 0,03 | 50 |
| TG10Z3 | M10 | 8 | 0,03 | 50 |



Hexagonal bolt for guided locknut



| Reference | Thread | Weight kg/m | pcs./pack |
|-----------------|----------|-------------|-----------|
| TE835Z3 | M8 x 35 | 0,03 | 50 |
| TE1015Z3 | M10 x 15 | 0,02 | 50 |

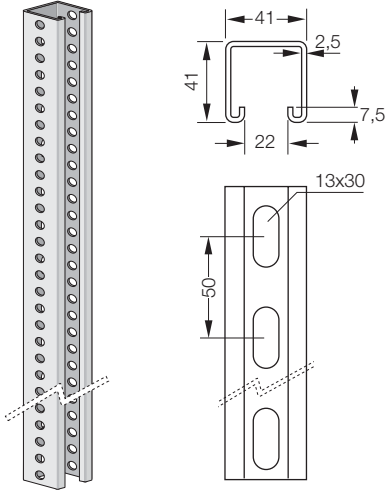
Use M8 for SO "OMEGA" supports
Use M10 for SHE.. and SEC supports

All measurements in mm

Elements for supports

Profile "C41" (41 x 41 mm)

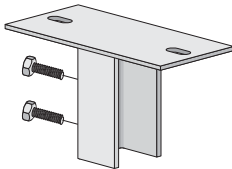
Length 3 m



| Reference | Weight kg/u | pcs./pack |
|-------------|-------------|-----------|
| PRCS | 2,36 | 50 |
| PRCG | 2,60 | 50 |

With load applied only at one side, use SHE.. or SEC supports fastening them with TE1015Z3 bolts and TG10Z3 guided locknuts. With equilibrated load use 2 TE1070Z3 bolts and C6923.10Z3 toothed locknuts.

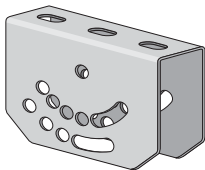
Head plate for "C" profile



| Reference | Weight kg/u | pcs./pack |
|-------------|-------------|-----------|
| CPCG | 0,78 | 50 |

Use 2 TCA1025G bolts with toothed locknuts.

Head plate for "C41" profile



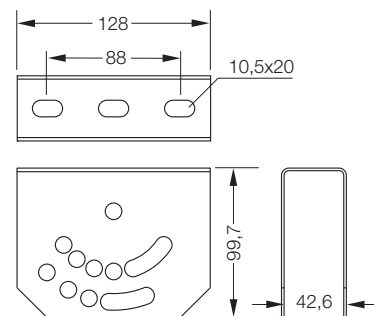
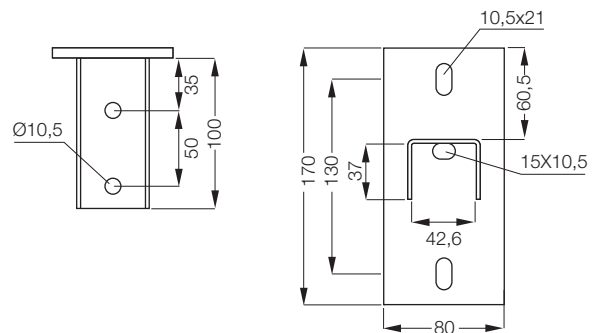
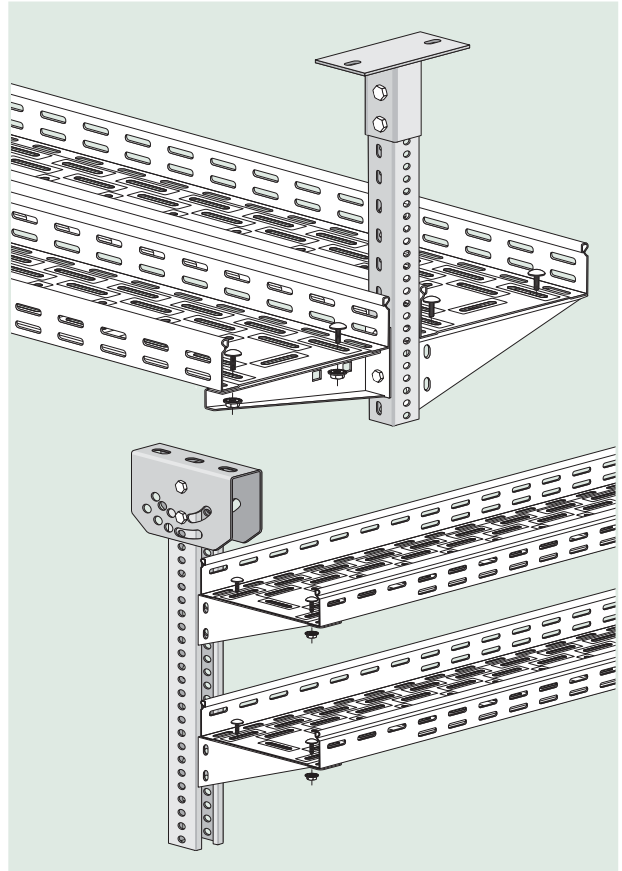
| Reference | Weight kg/u | pcs./pack |
|-------------|-------------|-----------|
| CICS | 0,51 | 50 |

(For vertical or inclined hanging up to 60° in both directions).
For vertical hanging use 2 TE1070Z3 bolts and C6923.10Z3 toothed locknuts.
For inclined hanging use 1 TE1070Z3 bolt, 2 TE1015Z3 bolts and 3 C6923.10Z3 toothed locknut.

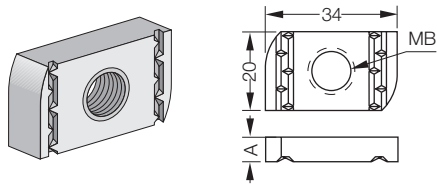
Coatings:

| | |
|-----------|-----------------------|
| Z3 | Ecologic zinc plating |
| S | Sendzimir galvanized |
| G | Hot dip galvanized |

MULTIVIA®

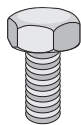


Guided locknut for "C" profile



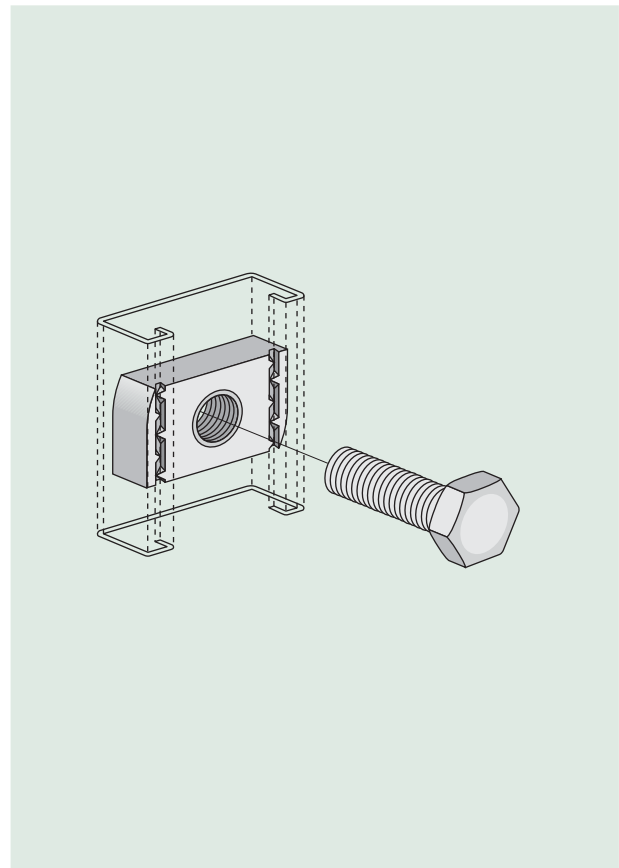
| Reference | Thread | Weight kg/m | pcs./pack |
|---------------|--------|-------------|-----------|
| TG8Z3 | M8 | 0,03 | 50 |
| TG10Z3 | M10 | 0,03 | 50 |

Bolt with hexagonal head

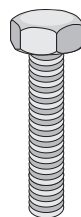


| Reference | Thread | Weight kg/m | pcs./pack |
|-----------------|----------|-------------|-----------|
| TE835Z3 | M8 x 35 | 0,03 | 50 |
| TE1015Z3 | M10 x 15 | 0,02 | 50 |

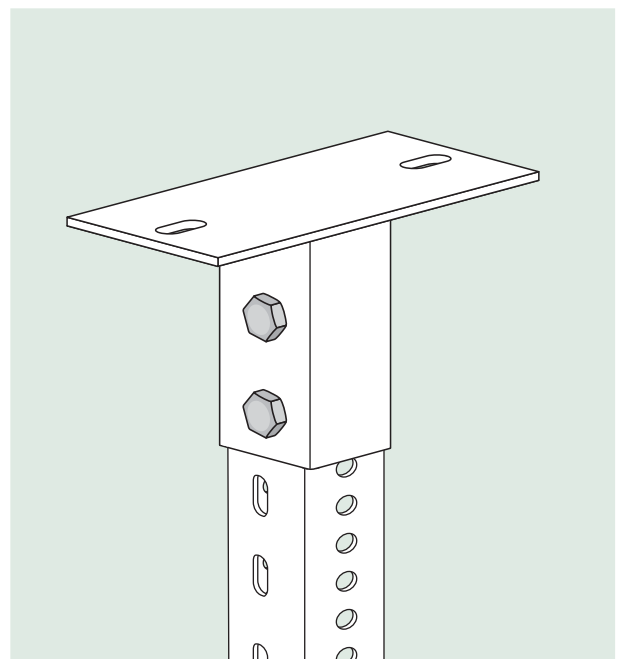
Use M8 for SO.. "OMEGA" supports.
Use M10 for SHE.. and SEC supports.



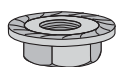
Bolt with hexagonal head for "C41" profile



| Reference | Thread | Weight kg/m | pcs./pack |
|-----------------|----------|-------------|-----------|
| TE1070Z3 | M10 x 70 | 0,04 | 50 |



Toothed locknut for "C41" profile



| Reference | Thread | Weight kg/m | pcs./pack |
|-------------------|--------|-------------|-----------|
| C6923.10Z3 | M10 | 0,02 | 50 |

Cable tray installation recommendations

Ventilation

Electric current transported by cables, specially power cables, generates heat. To prevent temperature generated reaching unwanted levels in cables, cable trays are provided generally with bottom perforations that enable ventilation.

CEI 61537 standard establishes four levels of perforation of base area:

- **Level A:**
2% maximum perforation.
Solid bottom **MULTIVIA** cable trays.
- **Level B:**
15% maximum perforation.
Perforated **MULTIVIA** cable trays from 400 to 600 mm wide.
- **Level C:**
30% maximum perforation.
Perforated **MULTIVIA** cable trays from 100 to 600 mm wide.
- **Level D:**
perforation over 30%. Wire-mesh **MULTIVIA** cable trays.

To increase ventilation it is also recommended to leave a minimum separation of 20 mm between cable trays and the wall where these are supported.

Layout

Layout of cable trays should preferably follow horizontal and vertical lines, parallel to the edges that limit the place of installation. In any case, a bended cable tray should have a superior bending radius to the one of the cables installed.

Situation

Cable trays should not be installed under other canalizations that could promote water condensation. They should also be separated to a convenient distance from heat sources (vapour, heating systems,...) unless screens or other devices that prevent their effects are installed as well.

Accessability

To ease the installation of cables and their maintenance, cable trays should be situated leaving a minimum separation from the ceiling and other elements. When installing covered cable trays, there should be enough space left to cover and uncover the cable tray. When installing several cable trays one above the other, a minimal separation of 300 mm should be left. The highest voltage cables should be situated in the upper cable trays and control and communication cables in the cable trays below.

Cables

Cable trays are intended to support and accommodate cables. As cable trays do not serve the purpose of protecting cables, it is recommended to have an assigned voltage of 0,6 to 1 KV for the installed cables. Single pole conductors and cables of alternating current circuits installed in ferromagnetic cable trays should be installed having all conductors of each circuit in the same cable tray.

Steel protection against corrosion

Steel corrosion is the unwanted conversion of this iron alloy into rust. It has enormous economic consequences, as it damages or makes useless pieces or structures creating great danger and a high cost. To prevent the effects of this corrosion, various coatings, rustproof alloys, paints and polymeric coverings are used. Zinc is the most commonly used metal in these surface treatments, and nickel and chrome are most commonly used in rustproof alloys.

Zinc coating

Zn thickness on steel pieces varies according to the process used. This thickness and air conditions will have an influence in the persistence of the surface treatment.

The annual loss in μm for five different environments would be approximately:

- **Dry indoors environment** 0,5 μm
- **Rural environment** 1,9 μm
- **Urban environment** 3,5 μm
- **Marine environment** 4,7 μm
- **Industrial environment** 10,1 μm

MULTIVIA materials protection with zinc:

Z3 Zinc chromated electroplating

Electrolytic zinc coating on steel with an average thickness of 10 μm . Later it gets a passivating treatment with trivalent chrome salts (Cr^{3+}) (according to UNE-EN 12329:2001). This coating complies the European Directive 2002/95/CE (RoHS) and the later modifications 2005/618/CE, 2005/717/CE and 2005/747/CE, being free of hexavalent chrome and of any kind of colorant.

Used in wire-mesh cable trays and accessories.

S Sendzimir galvanized

Coating obtained by continuous immersion of the rolled sheet steel into a zinc bath with zinc purity equal or superior to 99%, later removing the excess of adhered zinc. The coating thickness ranges from 18 to 20 μm (according to UNE-EN 10327:2007). Subsequent cuttings and punchings will be protected against corrosion as well, thanks to a zinc hydroxide cover formed by anodic diffusion.

Used in sheet steel cable trays and accessories.

G Hot dip galvanizing

Coating obtained by immersion into a zinc bath at a temperature between 450 and 460°C. The coating thickness depends on the thickness of the material to be galvanized, and according to the UNE-EN ISO 1261:99 the standard thickness ranges between 45 μm for a piece thickness under 1.5mm and 85 μm for a piece thickness over 6mm. The coating is made up of different Fe and Zn alloy layers strongly bound to the steel and a superficial zinc cover all together becoming an excellent barrier against corrosion.

Used in sheet steel and wire-mesh cable trays as well as in accessories.

MULTIVIA other materials:

I Stainless steel

Numerous products of our catalogue are supplied in steel no.14301 according to EN 10088 (AISI 304) with excellent resistance characteristics to corrosion in indoors, aggressive outdoors, highly humid (industrial, chemical, marine,...) and aseptic environments (specially indicated for alimentary industry). Upon request, we can also provide wire-mesh cable trays and accessories in steel no.14404 (AISI 316L) with excellent resistance to corrosion (specially indicated for chemical industry).

Used both types in wire-mesh cables trays and accessories.

Load capacity diagrams

The permissible load diagrams have been obtained experimentally in our laboratory according to CEI 61537:2001 standard and load limitations determined by:

1. Maximum longitudinal deflection = 1/100 of the span between supports
2. Maximum transversal deflection = 1/20 of cable tray width
3. With the joint of two cable trays placed approximately at 1/5 of the span between supports (null flector moment). We discard, therefore, joints of two cable trays in the middle of the span between supports or on the support.
4. The values established are for uniformly distributed loads and excluding any type of isolated loads (as the weight of a worker).
5. Safety coefficient = 1,7

Diagrams indicate the permissible loads in N/m (1N ~ 0,1Kg) for a certain type of cable tray depending on the span between supports and are formed by a horizontal section that represents the load of the different cable trays at their limit of full load capacity with cables. The load has been calculated having in consideration the useful cross section of the cable tray (width x interior height) and an average density of 0,025 N/mm² per metre of the copper power cable set (copper+insulating material+air interstices).

A second section formed by a descending curve (only on those affected diagrams) represents the maximum load that can withstand the cable tray with the limitations mentioned above.

Selecting the appropriate cable tray

To select the appropriate cable tray, we need to know:

- Environmental characteristics of the place where it will be installed.
- Number, cross section and weight per metre of every cable to be installed.

Selecting the surface treatment

According to environmental characteristics of the place where the cable tray will be installed, the most appropriate material or surface treatment is chosen in accordance to the recommendations of table 1.

Table 1. Selecting the surface treatment

Performance:

VG = very good
G = good
P = possible
S = superfluous
NA = not advised

| Applications | Zinc chromated electroplating | Sendzimir | Hot dip galvanized | Stainless steel |
|---|-------------------------------|-----------|--------------------|-----------------|
| Indoors installation. Normal environment | VG | VG | S | S |
| Indoors installation with high humidity | NA | NA | G | S |
| Outdoors installation Normal environment | NA | P | VG | S |
| Marine environment (saline) | NA | NA | P | G |
| Industrial environment (SO ₂) | NA | NA | NA | P |
| Alimentary sector | NA | NA | P | VG |
| Acid environment | NA | NA | NA | P |
| Alcaline environment | NA | NA | P | P |
| Environment with presence of halogens | NA | NA | NA | P |

Calculating useful cross section

Useful cross section of cable trays is obtained using the following formula:

S_u (mm²) = C x R x S (mm²) where:

S_u = minimum useful section needed

C = Filling coefficient. This coefficient takes into account both the incapacity to fill completely the section of the cable tray and the need to leave enough space for cable ventilation.
 C = 1,25 for control cables
 C = 1,45 for power cables

R = Space reserve coefficient. This coefficient takes into account the possible future installation of more cables in the cable tray. Recommended values are:
 R = 1,20 to 1,30

S = Added section (conductor+insulator) of all cables being installed.

The appropriate size of the cable tray can be ascertained by comparing the value of S_u with values of useful cross sections of cable trays.

We should verify that the chosen size is adequate to support the weight of cables given the existing or planned span between supports.

Calculating cable tray permissible load

Permissible load of cable trays is obtained using the following formula:

L_{perm} (N/m) = 10 x R x W (Kg/m) where:

L_{perm} = Permissible Load

R = Space reserve coefficient. It will be the same value used for the calculations of S_u . (R = 1,20 to 1,30)

W = Added weights per lineal metre of all cables being installed.

Looking at the load capacity diagram of the chosen cable tray, we will make sure that the value of the permissible load calculated (L_{perm}) is below the horizontal line of maximum filling capacity of this cable tray and, if no maximum load capacity curve exists that limits the span between supports, this span will be 2 metres maximum.

Calculation example

We are looking for a perforated sheet steel cable tray to house the cables in these quantities and with these manufacturer specifications:

| Qty of cables | Nominal section (mm ²) | External diameter (mm) | External section (mm ²) | Total section (mm ²) | Weight (Kg/m) | Total Weight (Kg/m) |
|---------------|------------------------------------|------------------------|-------------------------------------|----------------------------------|---------------|---------------------|
| 4 | 1x4 | 7,2 | 41 | 164 | 0,087 | 0,348 |
| 3 | 4x6 | 17,2 | 232 | 696 | 0,516 | 1,548 |
| 8 | 4x70 | 35,5 | 990 | 7,920 | 3,574 | 28,592 |
| 6 | 3x150 | 44,9 | 1.583 | 9.498 | 5,550 | 33,300 |

S = 18.278 mm² W = 63,788 Kg/m

Assuming that we want to reserve 20% of the space (R=1,20), and appreciating that most of the cables are power cables (C=1,40), the minimum useful cross section needed will be:

$$S_u = 1,40 \times 1,20 \times 18.278 \text{ mm}^2 = 30.707 \text{ mm}^2$$

Amongst the different cable tray sizes for this useful cross section, the ones closest to our calculated value to excess are the ones measuring 60x600, 85x400 and 110x300 mm.

| Reference | Side mm | Width mm | Useful cross section (mm ²) |
|---------------|------------|------------|---|
| P0610S | 60 | 100 | 5.320 |
| P0615S | 60 | 150 | 8.220 |
| P0620S | 60 | 200 | 11.120 |
| P0630S | 60 | 300 | 16.920 |
| P0640S | 60 | 400 | 22.720 |
| P0650S | 60 | 500 | 28.520 |
| P0660S | 60 | 600 | 34.320 |
| | | | |
| P0810S | 85 | 100 | 7.720 |
| P0815S | 85 | 150 | 11.870 |
| P0820S | 85 | 200 | 16.020 |
| P0830S | 85 | 300 | 24.320 |
| P0840S | 85 | 400 | 32.620 |
| P0850S | 85 | 500 | 40.920 |
| P0860S | 85 | 600 | 49.220 |
| | | | |
| P1010S | 110 | 100 | 10.120 |
| P1015S | 110 | 150 | 15.520 |
| P1020S | 110 | 200 | 20.920 |
| P1030S | 110 | 300 | 31.720 |
| P1040S | 110 | 400 | 42.520 |
| P1050S | 110 | 500 | 53.320 |
| P1060S | 110 | 600 | 64.120 |

The permissible load in N/m (1N ~ 0,1Kg) will be:

$$L_{perm} = 10 \times 1,20 \times 63,788 \text{ Kg/m} = 765 \text{ N/m}$$

With a cross section of cables equal or superior to 30.707 mm² and according to the column of useful cross section we can choose among 60x600 mm, 85x400 mm and 110x300 mm cable trays. In accordance to the permissible load capacity diagrams, the longest span between supports would be 2 metres. With 60x600 mm cable tray, ventilation is highly efficient, though it takes up too much space; with 85x400 mm cable tray space and ventilation are balanced and with 110x300 mm cable tray, ventilation is not optimal.

Electrical continuity and ground connection

Metallic cable tray systems should present an adequate electrical continuity to ensure an equipotential connection and one or many ground connections if necessary (CEI 61537-01).

According to continuity assay no. 11.1 of CEI 61537-01 values of impedance in **MULTIVIA** cable trays and joining materials do not exceed 50 m Ω through the union of two cable trays and 5 mΩ per metre of cable tray without the union.

Ground connection of a cable tray system is achieved connecting all elements of the system (every cable tray and all accessories) to a copper conductor with cover with a section not inferior to 16mm². When using wire-mesh cable trays, this connection can be made with BTL grounding clamp (page 19 in this catalogue) and when using sheet steel cable trays, it can be made with FSR.. clamps (page 71 in this catalogue).



CABLE PROTECTION AND MANAGEMENT

Headquarters and production

C/ Muga, 1- Pol. Ind. Pla d'en Coll
E-08110 Montcada i Reixac (Barcelona) Spain
Export Tel.: +34 935 650 582
Export Fax: +34 935 753 879
Export e-mail: export@interflex.es
Orders Fax: +34 935 643 700
Orders e-mail: pedidos@interflex.es
www.interflex.es

Logistic Center

C/ del Mig, 82-84 - Pol. Ind. Pla d'en Coll
E-08110 Montcada i Reixac (Barcelona) Spain