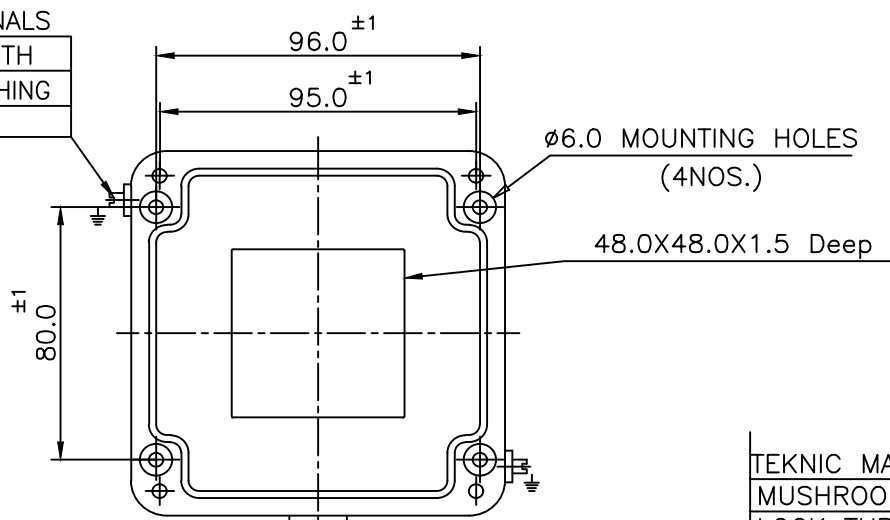
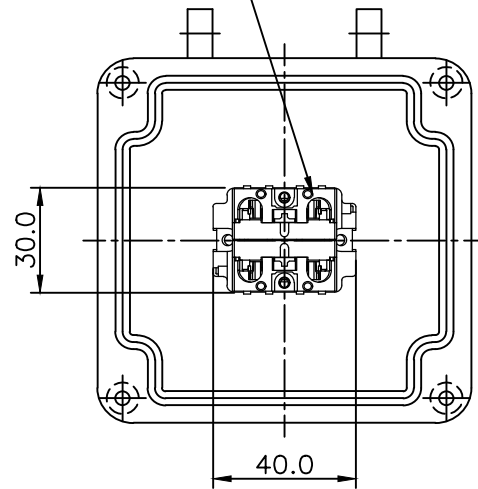


2 NOS. EARTHING TERMINALS  
M4x10 CH.HD)SCREW WITH  
PLAIN WASHERS AND EARTHING  
WASHER.



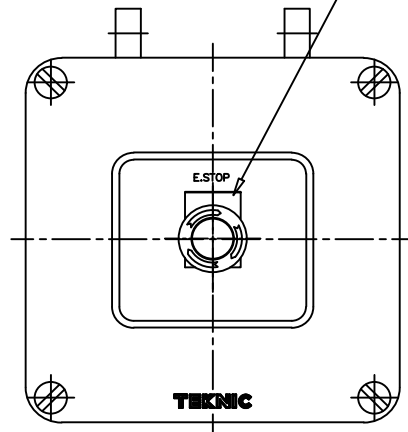
INSIDE HOUSING

2NO+2NC CONTACT  
ELEMENTS



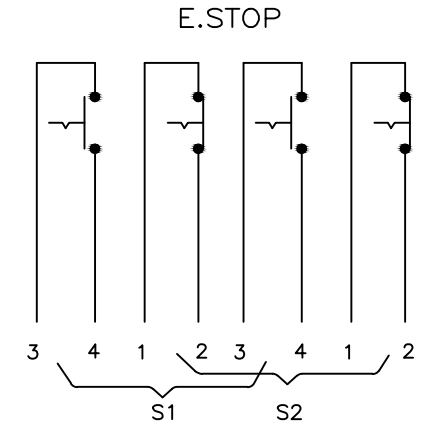
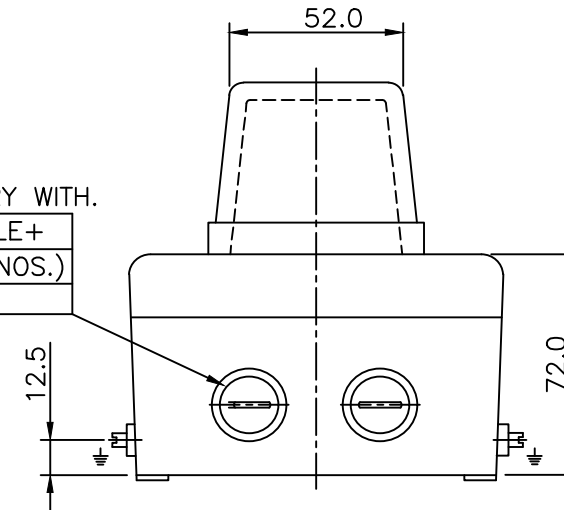
INSIDE VIEW OF COVER

TEKNIC MAKE RED STAYPUT  
MUSHROOM ACTUATOR (PRESS TO  
LOCK TURN TO RELEASE) WITH  
2NO+2NC CONTACT ELEMENT  
TYPE 2PSML422 FOR E. STOP  
(Cover mounted)



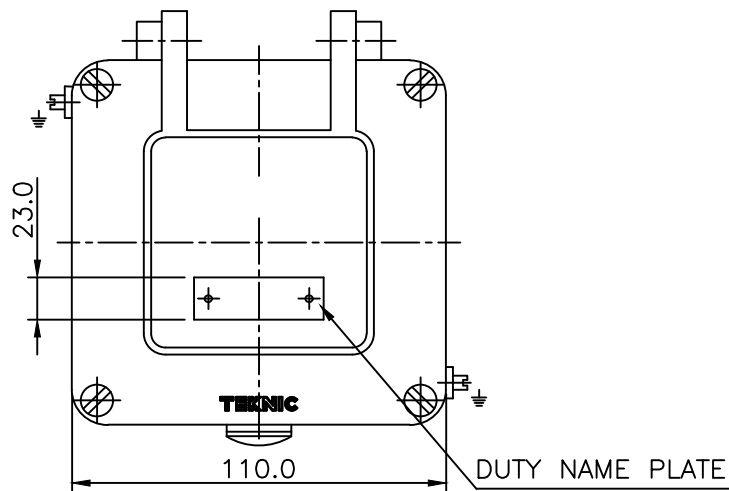
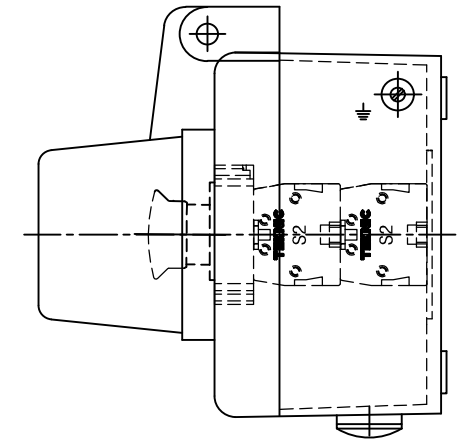
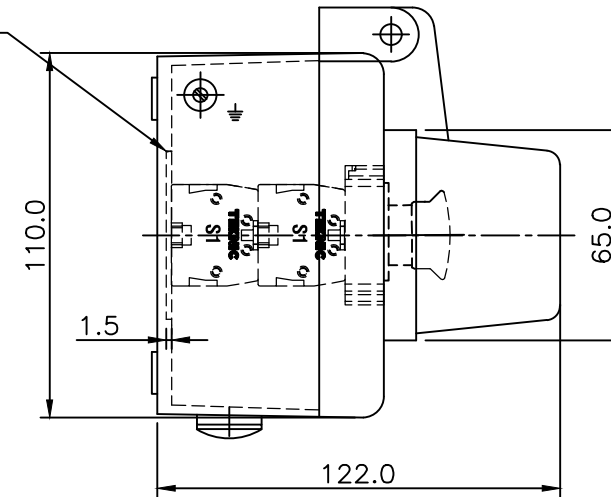
VIEW WITHOUT HOOD

3/4" CABLE ENTRY WITH.  
(3/4" BSC NIPPLE+  
NIPPLE WASHER 2NOS.)  
AT BOTTOM



CONTACT RATING :-  
6 AMP., 240 VAC  
0.27 AMP., 220 VDC

INSULATING PLATE



CONSTRUCTIONAL DETAILS:-

CAST ALUMINIUM ENCLOSURE (LM6) WITH POWDER COATING SHADE RAL 9002.  
DEGREE OF PROTECTION IP55.

REMARK :-

CABLE SHALL BE DIRECTLY TERMINATED

CUSTOMER :- L&T		CONTRACTOR :-	
PROJECT :-		P.O. NO. :	
TYPE :- E.STOP CONTROL STATION (Ø22.5)		QTY : -	
DEGREE OF PROTECTION : IP 55		SHADE :- RAL9002	
DIM. WITHOUT TOLERANCES ACCORDING TO IS: 2102-m(1993)	SUPERSEDES	MATERIAL	SURFACE TREATMENT
	SUPERSEDED BY	CAST ALUMINIUM	POWDER COATING
ALL DIMENSIONS ARE IN mm.		TITLE	
	2016	DATE	NAME
	Drawn	15.04.16	Tanuja
	Checked		
	Approved		
		DRG. No.	
		STN 1624	
		SCALE	PAGE: 1
		NTS	REV. NO.
No.	ALTERATION	DATE	NAME
		OFF: 2	01234 56789
		TEKNIC	

FILE NAME  
STN1600

A