

## LED Pilot Light Ø 16.5 plastic construction



### General Characteristics:

This range of LED Monoblock Pilot Light Ø 16.5 is available in round & square head in a variety of colours. This Pilot Light can be fixed in any position on panels of thickness varying from 1 mm to 6 mm. The pilot light is fastened to the panel with a lock ring. We recommend min fixing centres of 25 mm x 25 mm.

Pilot lights are available with integral LED's suitable for operating at various voltages, namely 6 V, 12 V, 24 V, 30 V, 48 V, 63 V, 110 V, 125 V & 240 V AC / DC.

### Electrical and mechanical characteristics

#### A) Mechanical Characteristics

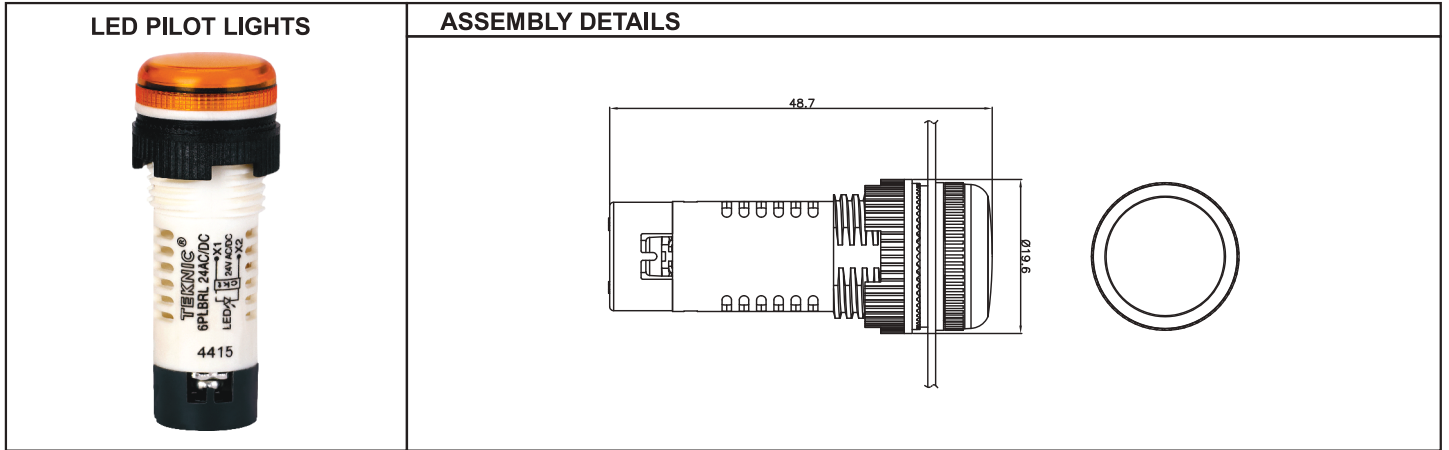
Applicable Standard	UL 508 IEC 60947-5-1 CSA 22.2
Degree Of Protection	IP 65 (as per IEC 60529) Dust & water tight
Operating Conditions	+ 70° C to -25° C
Contact Material	Brass (tin plated)
Corrosion Protection	All metallic parts are electroplated for corrosion protection
Terminal Torque	0,5 Nm
Viewing Angle	More than 100°
Optical Axial intensity	More than 100 mcd for all colors

#### B) Electrical Characteristics

Rating	Rated 6 VAC / DC, 12 VAC / DC, 24 AC / DC, 110 AC, 110 DC, 240 AC & 220 DC	
Terminal Capacity	Rigid 2 X 0.75 mm <sup>2</sup> (max) 1 X 0.5 mm <sup>2</sup> (min) 1 X 1.5 mm <sup>2</sup> (min)	Flexible 1 X 0.75 mm <sup>2</sup> (max) 1 X 0.5 mm <sup>2</sup> (min) 2 X 0.5 mm <sup>2</sup> (mix)
Dielectric Test	2,5 KV	
Rated Insulation Voltage	500 VDC	
Polarity Protection	Nil	
Low Voltage Protection	20% of Rated Voltage	
Current Consumption	Max. 20 mA for AC Circuits Max. 15 mA for DC Circuits	

# TEKNIC

## 16.5 Ø - PILOT LIGHTS WITH INTEGRAL LED



### SPECIFIC VOLTAGE

VOLTAGE	COLOUR	ORDERING CODE	COLOUR	ORDERING CODE	COLOUR	ORDERING CODE	COLOUR	ORDERING CODE	COLOUR	ORDERING CODE
12 AC/DC	<input type="radio"/>	6PLBR1L(S)12	<input type="radio"/>	6PLBR3L12	<input type="radio"/>	6PLBR4L12	<input type="radio"/>	6PLBR5L12	<input type="radio"/>	6PLBR6L12
	<input type="radio"/>	6PLBR7L(S)12	<input type="radio"/>	6PLBR8L12	<input type="radio"/> Translucent Lens / White LED		<input type="radio"/> Transparent Lens / White LED			
24 AC/DC	<input type="radio"/>	6PLBR1L(S)24	<input type="radio"/>	6PLBR3L24	<input type="radio"/>	6PLBR4L24	<input type="radio"/>	6PLBR5L24	<input type="radio"/>	6PLBR6L24
	<input type="radio"/>	6PLBR7L(S)24	<input type="radio"/>	6PLBR8L24	<input type="radio"/> Translucent Lens / White LED		<input type="radio"/> Transparent Lens / White LED			
110 AC	<input type="radio"/>	6PLBR1L(S)110AC	<input type="radio"/>	6PLBR3L110AC	<input type="radio"/>	6PLBR4L110AC	<input type="radio"/>	6PLBR5L110AC	<input type="radio"/>	6PLBR6L110AC
	<input type="radio"/>	6PLBR7L(S)110AC	<input type="radio"/>	6PLBR8L110AC	<input type="radio"/> Translucent Lens / White LED		<input type="radio"/> Transparent Lens / White LED			
110 DC	<input type="radio"/>	6PLBR1L(S)110DC	<input type="radio"/>	6PLBR3L110DC	<input type="radio"/>	6PLBR4L110DC	<input type="radio"/>	6PLBR5L110DC	<input type="radio"/>	6PLBR6L110DC
	<input type="radio"/>	6PLBR7L(S)110DC	<input type="radio"/>	6PLBR8L110DC	<input type="radio"/> Translucent Lens / White LED		<input type="radio"/> Transparent Lens / White LED			
240 AC	<input type="radio"/>	6PLBR1L(S)240AC	<input type="radio"/>	6PLBR3L240AC	<input type="radio"/>	6PLBR4L240AC	<input type="radio"/>	6PLBR5L240AC	<input type="radio"/>	6PLBR6L240AC
	<input type="radio"/>	6PLBR7L(S)240AC	<input type="radio"/>	6PLBR8L240AC	<input type="radio"/> Translucent Lens / White LED		<input type="radio"/> Transparent Lens / White LED			
220 DC	<input type="radio"/>	6PLBR1L(S)220DC	<input type="radio"/>	6PLBR3L220DC	<input type="radio"/>	6PLBR4L220DC	<input type="radio"/>	6PLBR5L220DC	<input type="radio"/>	6PLBR6L220DC
	<input type="radio"/>	6PLBR7L(S)220DC	<input type="radio"/>	6PLBR8L220DC	<input type="radio"/> Translucent Lens / White LED		<input type="radio"/> Transparent Lens / White LED			

Note: Other voltages namely 6 V, 30 V, 48 V, 63.5 V & 125 V DC available on request