

TEKNIC



**HEAVY DUTY IP66/IP68
ALUMINIUM DIE CAST
ENCLOSURES/JUNCTION BOXES**



General - BB JUNCTION BOXES

These are metal series Die casted Aluminium Enclosures/Junction Boxes, available in variety of sizes that are to be drilled by Customer to suit their requirements. Custom drilling, milling, tapping, square or odd shaped cut out can be made on special request making it READY TO FIT / ASSEMBLE. Marking of logo can be done on request.

These are made up of pure grade & highly corrosion resistant alloy {EN AC-ALSi (Fe)-DIN 1706}. These enclosures provide best stability, strength & long durability.

These enclosures/boxes are tested IP66 & IP68 as per IS/EN 60529:2001-DIN EN60529 & are compliant even after an Impact of 7 joules (Tested as per IS/IEC 60079-0: 2007 EN 60079)

GASKET

The gasket is one piece compression molded out of Neoprene or Silicon rubber compound & can be used at the below temperature range:

Neoprene: -40°C to 130°C

Silicon: -60°C to 200°C

Special EMI/RFI resistant, shielded gaskets are available on request.

COATINGS & FINISH

Natural super finished aluminium finish (uncoated) or powder coated finishes are available. Epoxy + Polyester (hybrid) type is standard. Pure polyester type is available on special request.

Matt + fine texture is standard. Plain, structured, glossy, or semi glossy available on request.

COVER & HOUSING in GREY RAL 7032 are our standard colours offered. Any other RAL shade is available on special request. CMD/KTL/ECOAT are also available on special request.

CORROSION RESISTANCE

Due to Excellent corrosion resistant Aluminium Alloy & specially developed powder coating technology, Salt spray / Mist test conducted > 1000hours. Also tested for Salt Spray > 3000 hours in accordance with ASTM B117 equivalent to IS 9000 Part IX

TEKNIC

FASTENERS

Are made up of stainless steel SS304 / A2.

Captive lid mounting screws: Head of Stainless Steel with pan Combi / Cheese/ Torx.

Earthing screw are copper coated steel with integral inbuilt spring washer.

MOUNTING

Easy wall or equipment invisible mounting through inner mounting holes provided OR

External mounting via Stainless Steel external mounting kit which is available on special request.

COMPLIANCE

ROHS: as per Commission regulation (EU) No 65/2011

REACH: as per Candidate List promulgated by ECHA Article 57 of EC 1907/2006

ACCESSORIES

AVAILABLE ON SPECIAL REQUEST:

Mounting plates: Galvanised steel to mount internal components without affecting the ingress protection



External Hinges: Set of 2 with gaskets & fixing screws for ease of opening & closing lids regularly

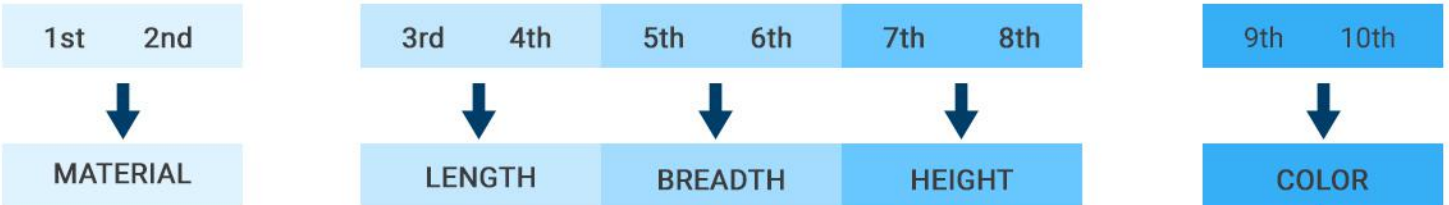
DIN Rails: Plated steel for internal components mounting. Available in TS15 & TS35 types



Wall mount bracket – External:
External wall mounting bracket kit in stainless steel available

Ordering Codes

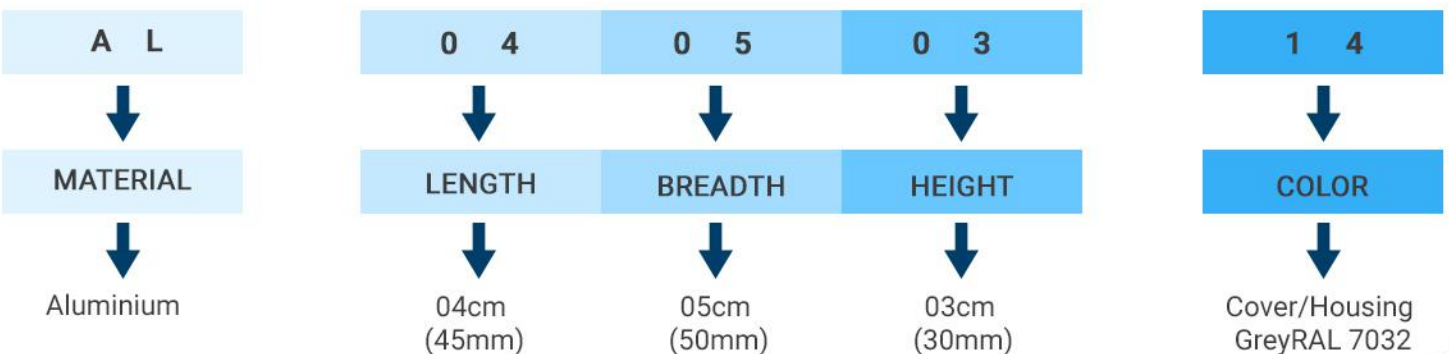
The ordering code for each product is mentioned in the Catalogue/Data Sheet and not indicated on each product because of the various combinations possible it becomes practically impossible to do so, more over the actuators, lamp unit and contact element, which together make a push button, are sold separately to OEM's as well as dealers. However the primary packing box always mentions the ordering code of the material it holds.



- AL=Aluminium
- PE=Polyester
- PC=Polycarbonate
- AB=ABS
- SS=Stainless Steel
- PA=Polyamide

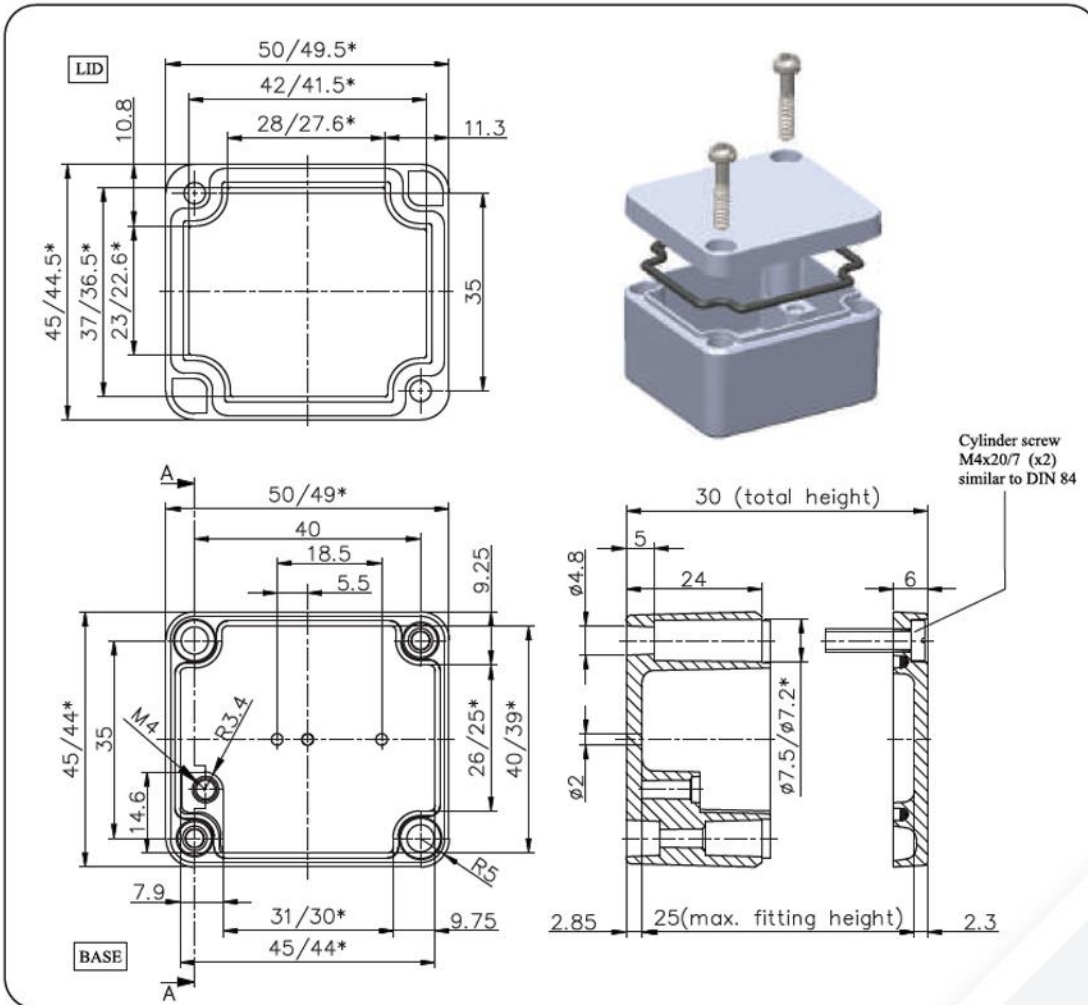
		COVER	HOUSING
00	→	----	----
01	→	HAMMERTONE SYNTHETIC	HAMMERTONE SYNTHETIC
02	→	631 SYNTHETIC	631 SYNTHETIC
03	→	631 EPOXY	631 EPOXY
04	→	632 SYNTHETIC	632 SYNTHETIC
05	→	632 EPOXY	632 EPOXY
06	→	RAL 7032 SYNTHETIC	RAL 7032 SYNTHETIC
07	→	RAL 7032 EPOXY	RAL 7032 EPOXY
08	→	MICO SYNTHETIC	MICO SYNTHETIC
09	→	APPLINE GREEN	APPLINE GREEN
10	→	YELLOW	BLACK
11	→	WHITE	BLACK
12	→	RAL 7001 GREY	RAL 7001 GREY
13	→	GREY RAL 7032	BLACK
14	→	GREY RAL 7032	GREY RAL 7032
15	→	RAL 7032 Powder Coating	Black Powder Coating
16	→	EFA BLUE	EFA BLUE
17	→	RAL 7035 Light Grey	RAL 7035 Light Grey
18	→	Yellow	--
19	→	GREY RAL 9002	GREY RAL 9002
20	→	RED POST	RED POST
21	→	Metal Finish	Metal Finish (Galvanised)
22	→	BLACK	BLACK

Eg: AL 040503 14



Dimensions - 45x50x30

Note: All dimensions are in mm unless otherwise stated



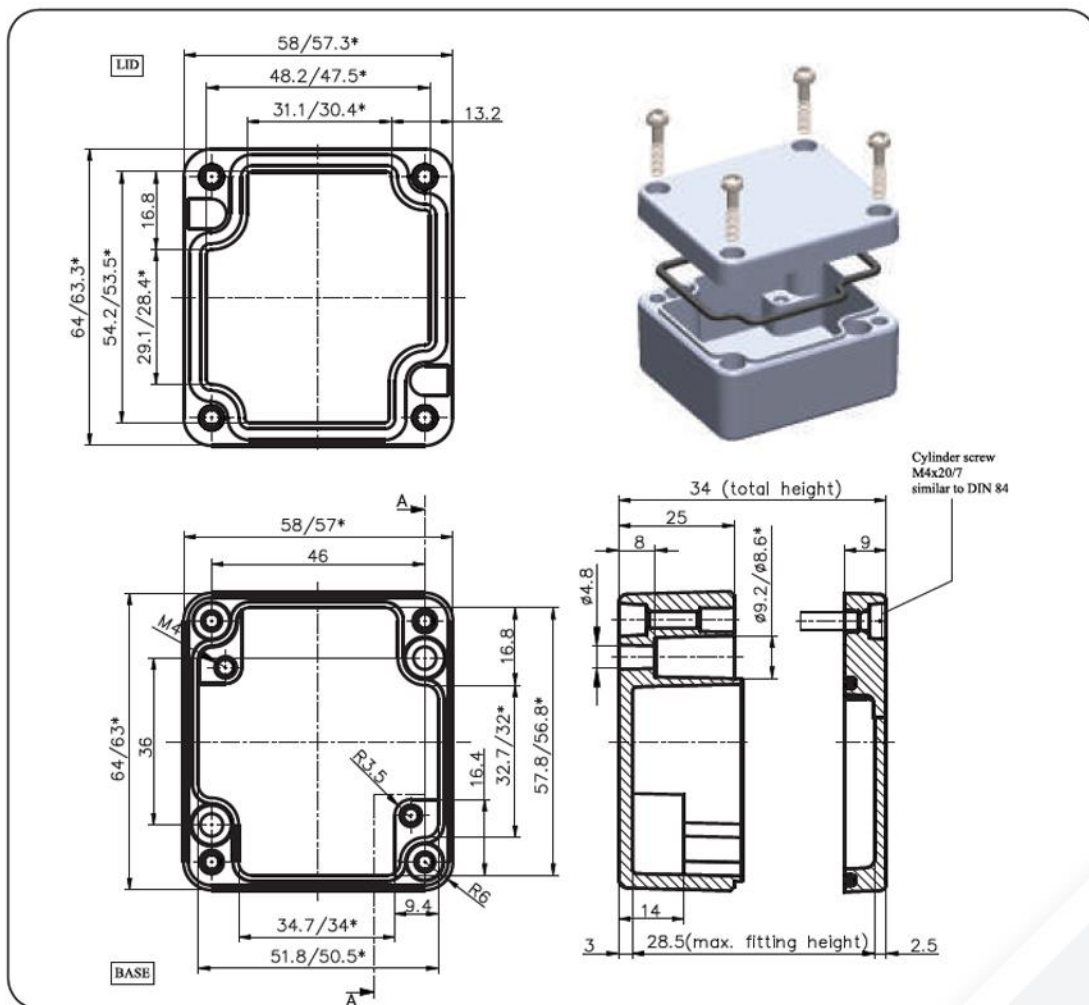
Following is available as empty enclosure.
Other codes on request.

Color of cover	Grey
Color of housing	Grey
Product code	AL 040503 14



Dimensions - 64x58x34

Note: All dimensions are in mm unless otherwise stated



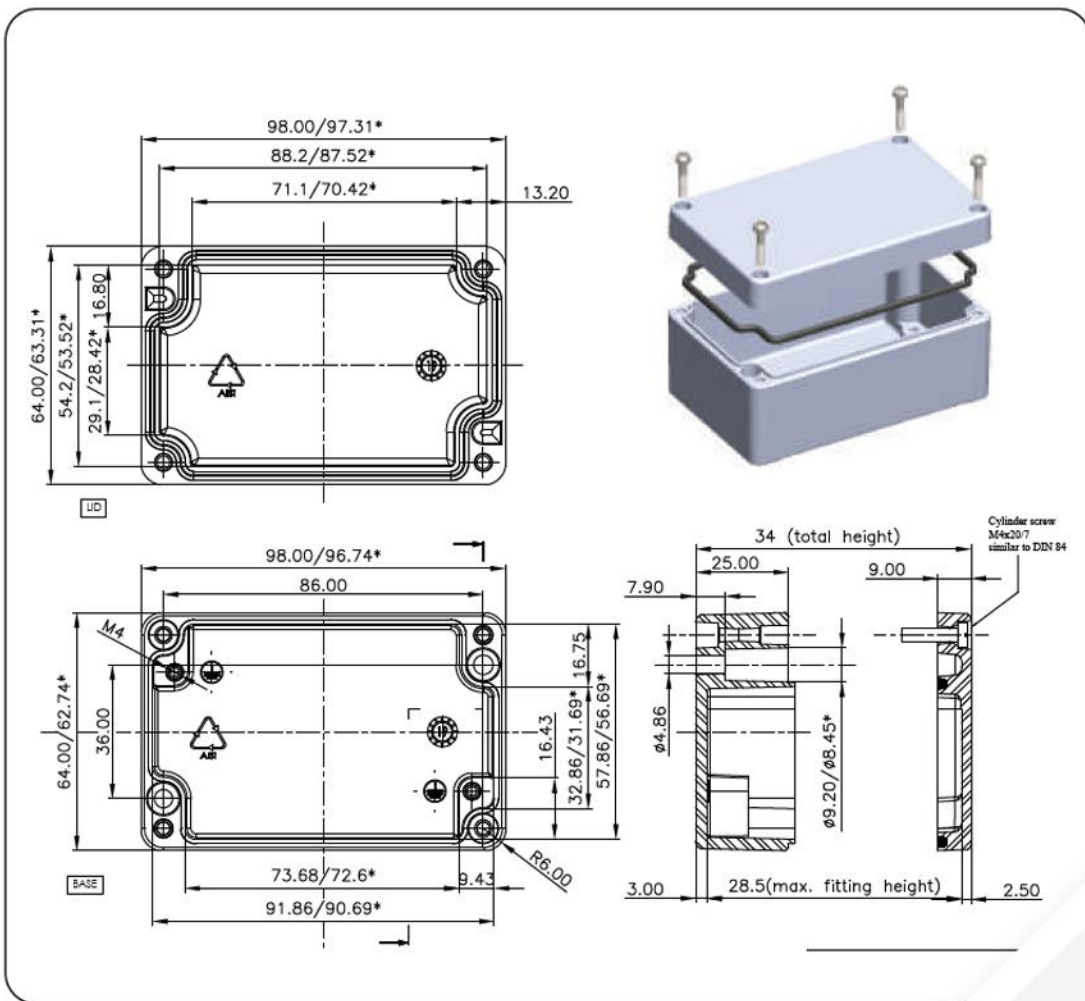
Following is available as empty enclosure.
Other codes on request.

Color of cover	Grey
Color of housing	Grey
Product code	AL 060503 14



Dimensions - 98x64x34

Note: All dimensions are in mm unless otherwise stated



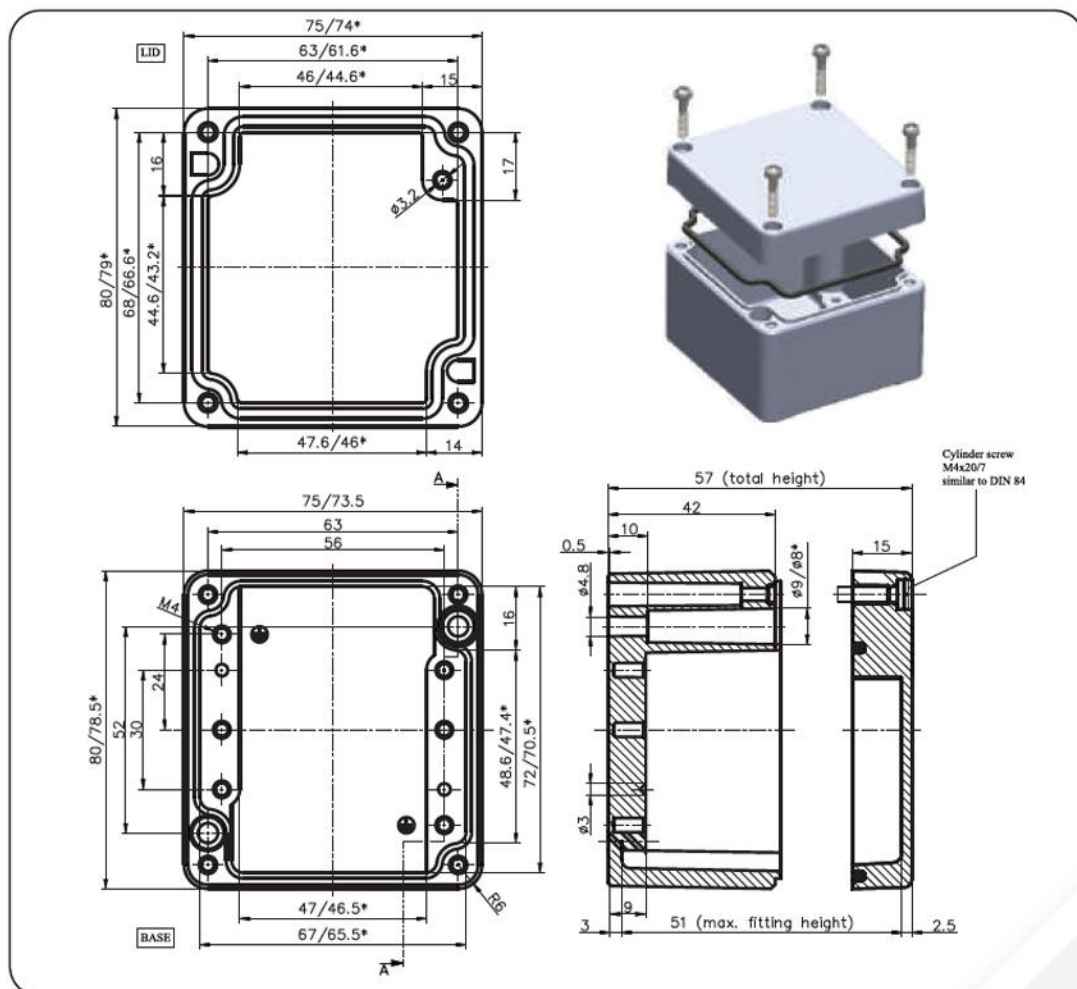
Following is available as empty enclosure.
Other codes on request.

Color of cover	Grey
Color of housing	Grey
Product code	AL 090603 14



Dimensions - 75x80x57

Note: All dimensions are in mm unless otherwise stated



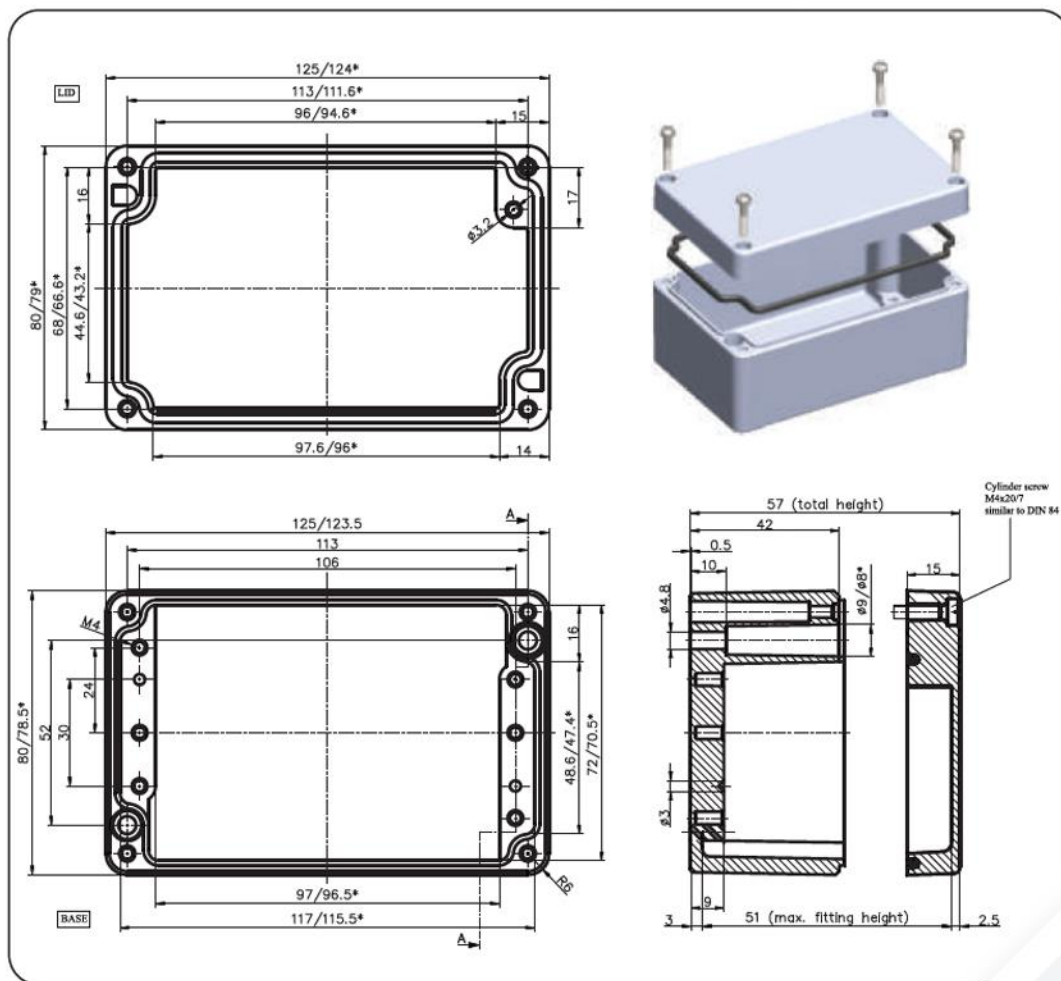
Following is available as empty enclosure.
Other codes on request.

Color of cover	Grey
Color of housing	Grey
Product code	AL 070805 14



Dimensions - 125x80x57

Note: All dimensions are in mm unless otherwise stated



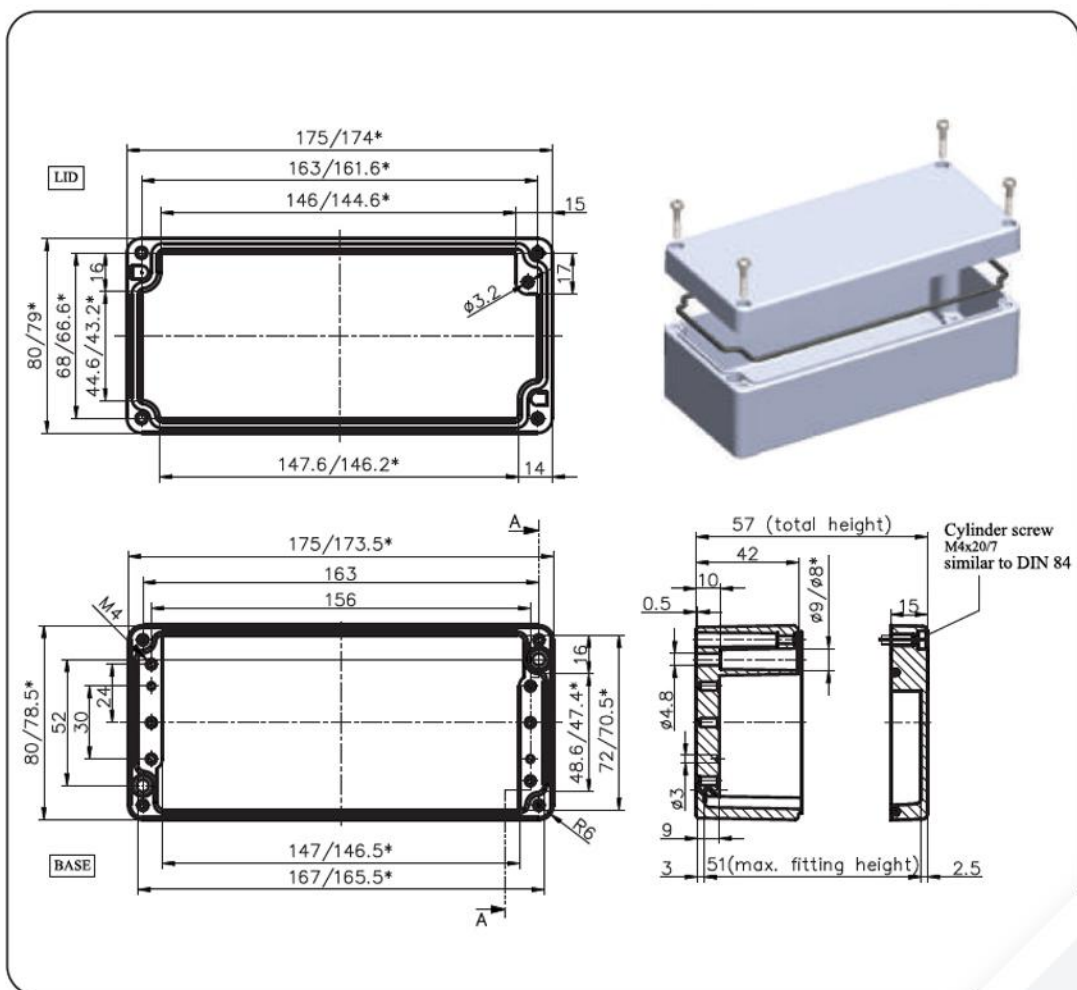
Following is available as empty enclosure.
Other codes on request.

Color of cover	Grey
Color of housing	Grey
Product code	AL 120805 14



Dimensions - 175x80x57

Note: All dimensions are in mm unless otherwise stated



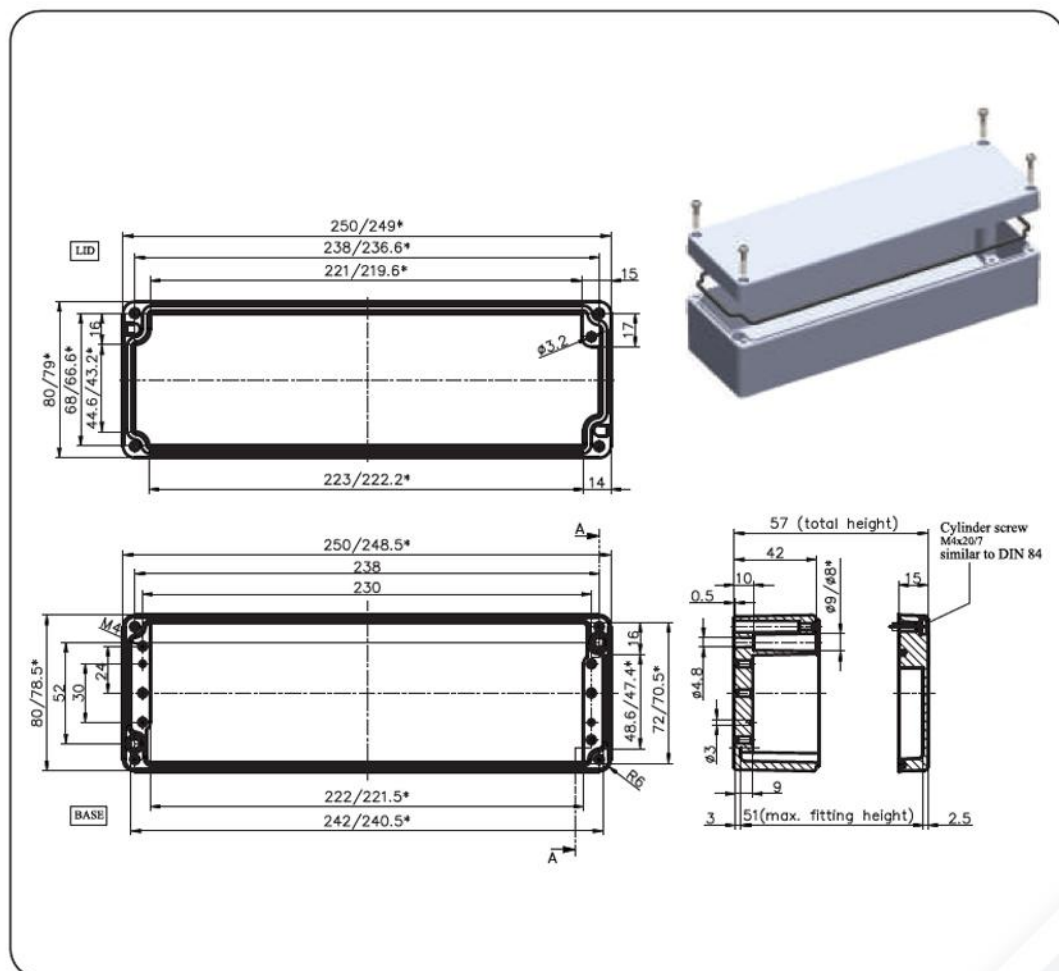
Following is available as empty enclosure.
Other codes on request.

Color of cover	Grey
Color of housing	Grey
Product code	AL 170805 14



Dimensions - 250x80x57

Note: All dimensions are in mm unless otherwise stated



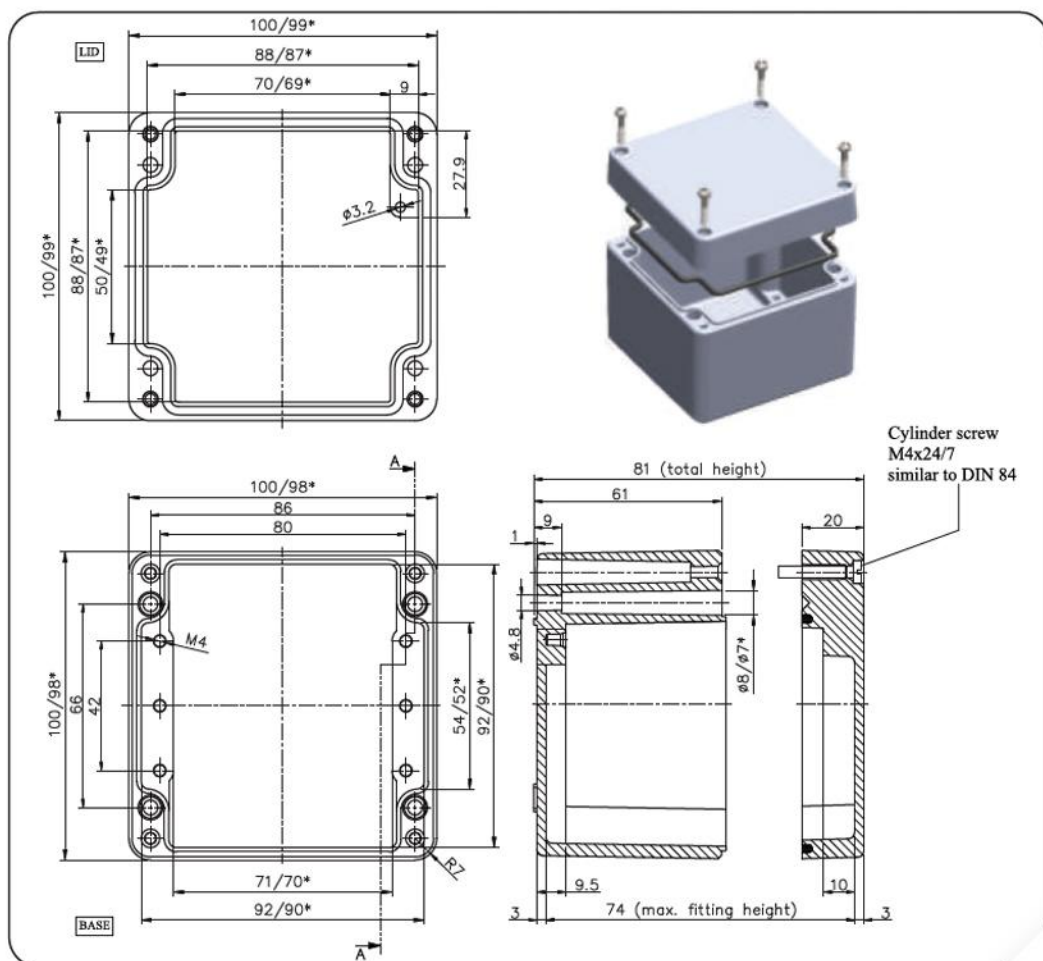
Following is available as empty enclosure.
Other codes on request.

Color of cover	Grey
Color of housing	Grey
Product code	AL 250805 14



Dimensions - 100x100x81

Note: All dimensions are in mm unless otherwise stated



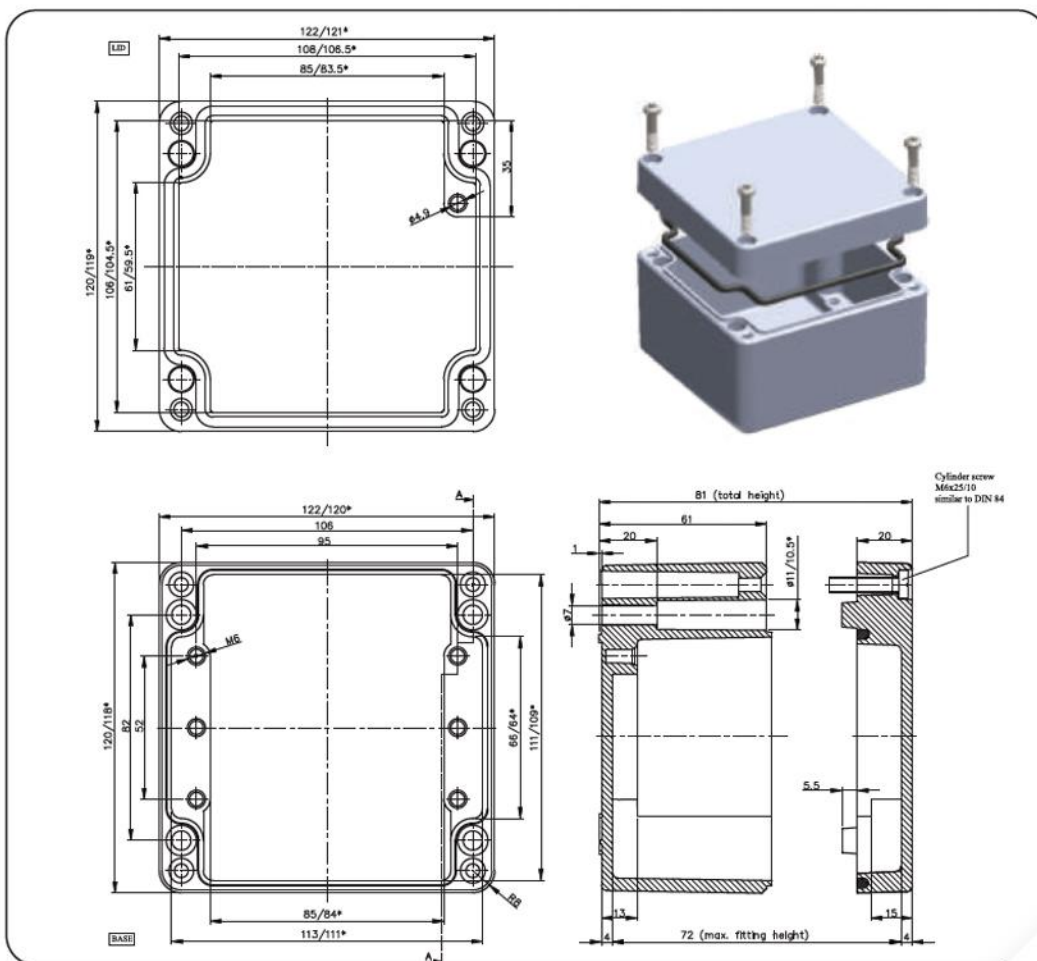
Following is available as empty enclosure.
Other codes on request.

Color of cover	Grey
Color of housing	Grey
Product code	AL 101008 14



Dimensions - 120x122x81

Note: All dimensions are in mm unless otherwise stated



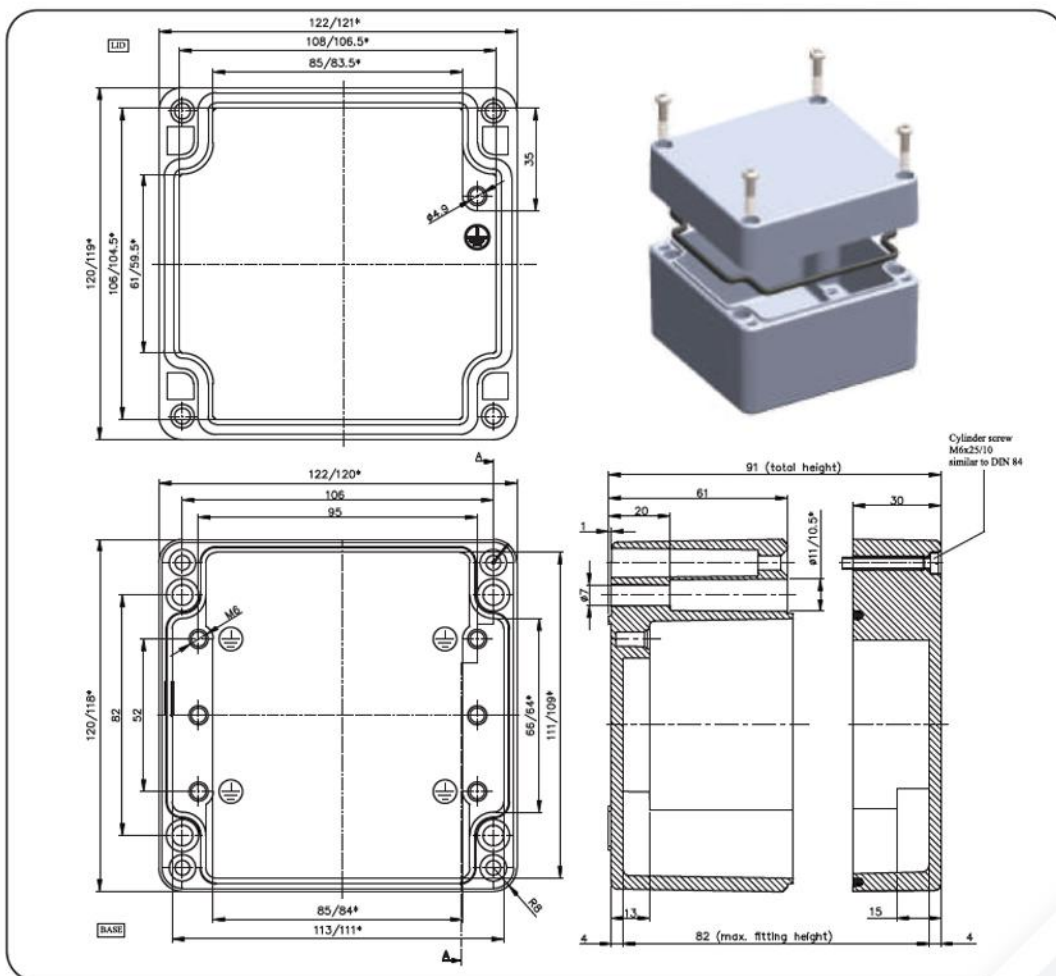
Following is available as empty enclosure.
Other codes on request.

Color of cover	Grey
Color of housing	Grey
Product code	AL 121208 14



Dimensions - 120x122x91

Note: All dimensions are in mm unless otherwise stated



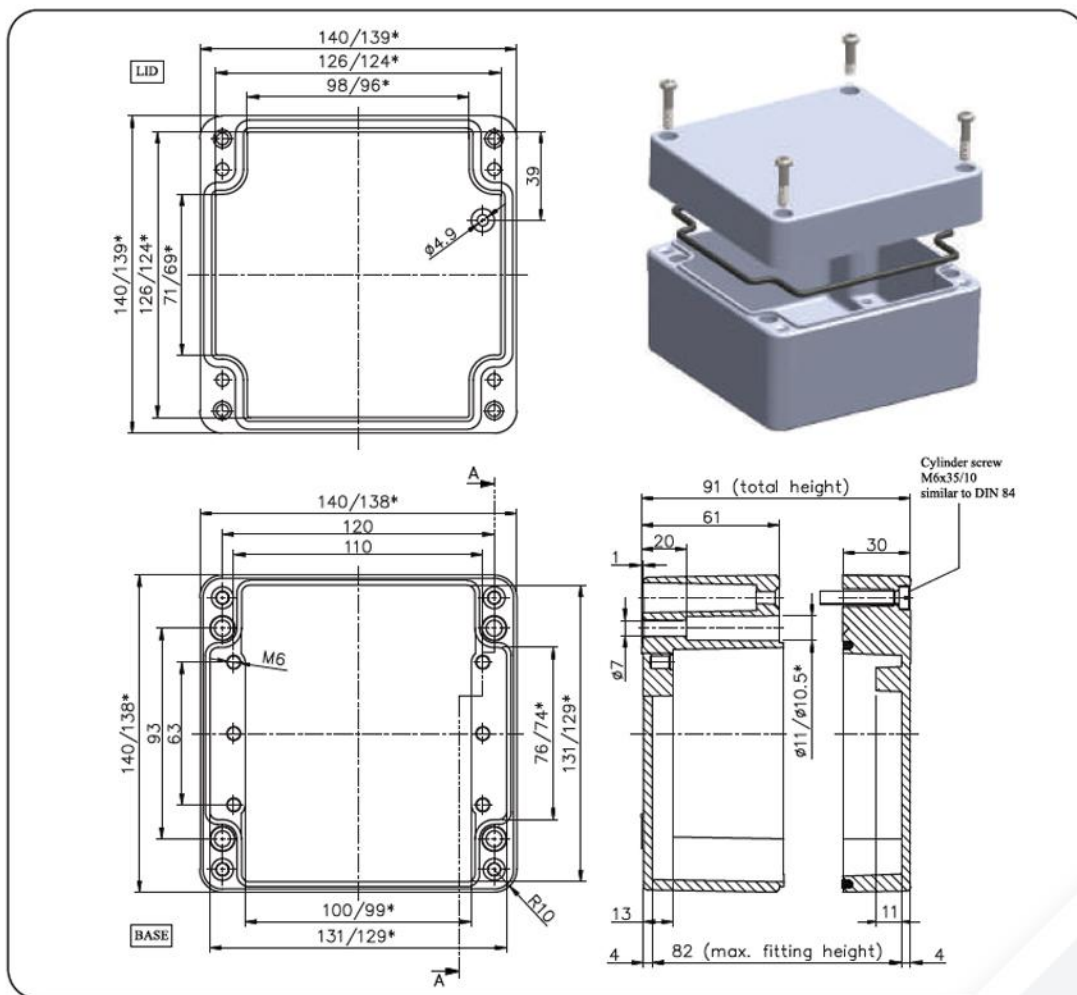
Following is available as empty enclosure.
Other codes on request.

Color of cover	Grey
Color of housing	Grey
Product code	AL 121209 14



Dimensions - 140x140x91

Note: All dimensions are in mm unless otherwise stated



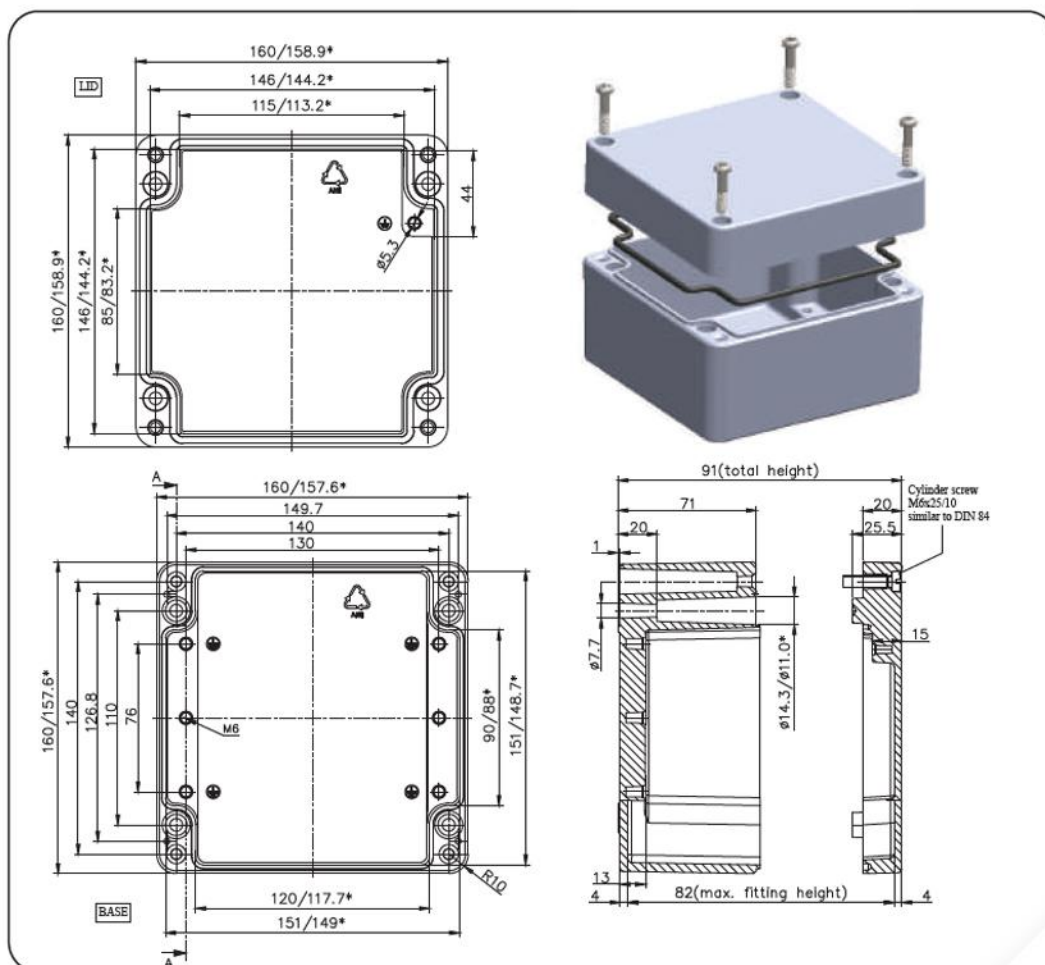
Following is available as empty enclosure.
Other codes on request.

Color of cover	Grey
Color of housing	Grey
Product code	AL 141409 14



Dimensions - 160x160x91

Note: All dimensions are in mm unless otherwise stated



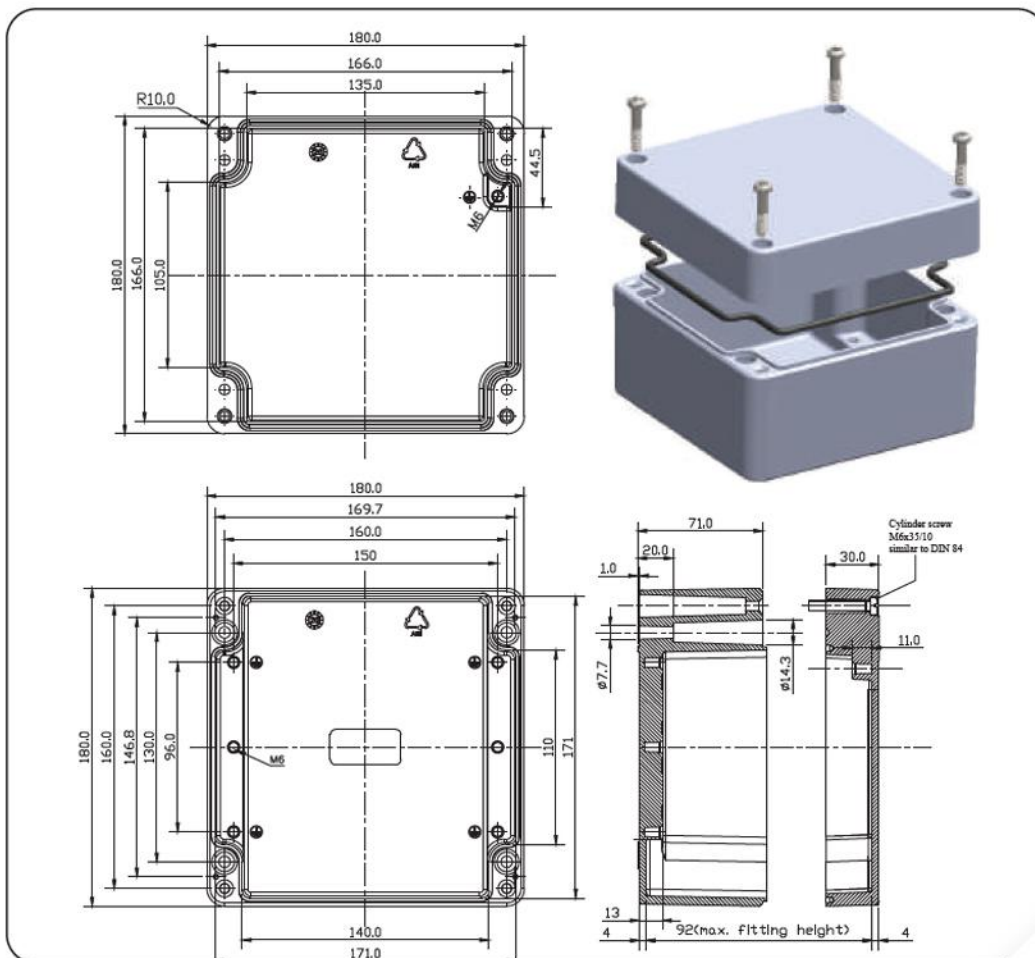
Following is available as empty enclosure.
Other codes on request.

Color of cover	Grey
Color of housing	Grey
Product code	AL 161609 14



Dimensions - 180x180x101

Note: All dimensions are in mm unless otherwise stated



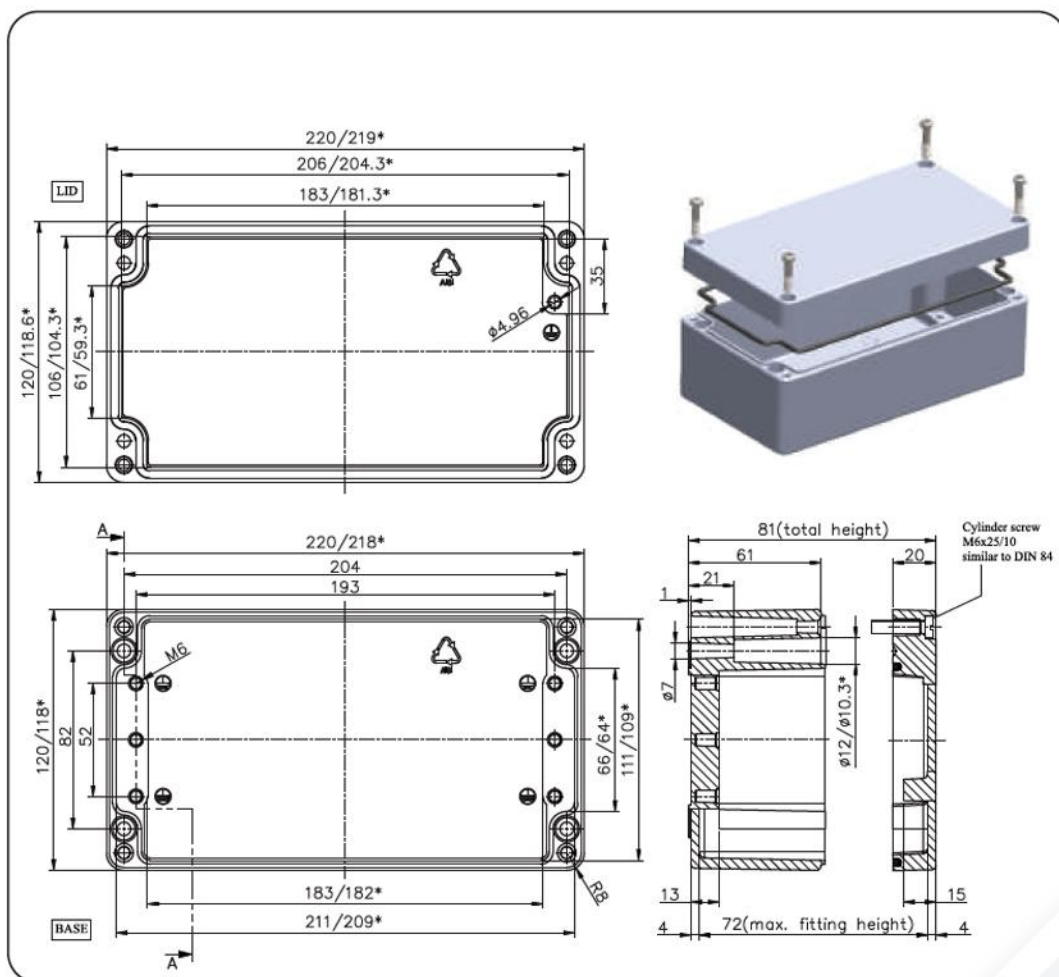
Following is available as empty enclosure.
Other codes on request.

Color of cover	Grey
Color of housing	Grey
Product code	AL 181810 14



Dimensions - 220x120x81

Note: All dimensions are in mm unless otherwise stated



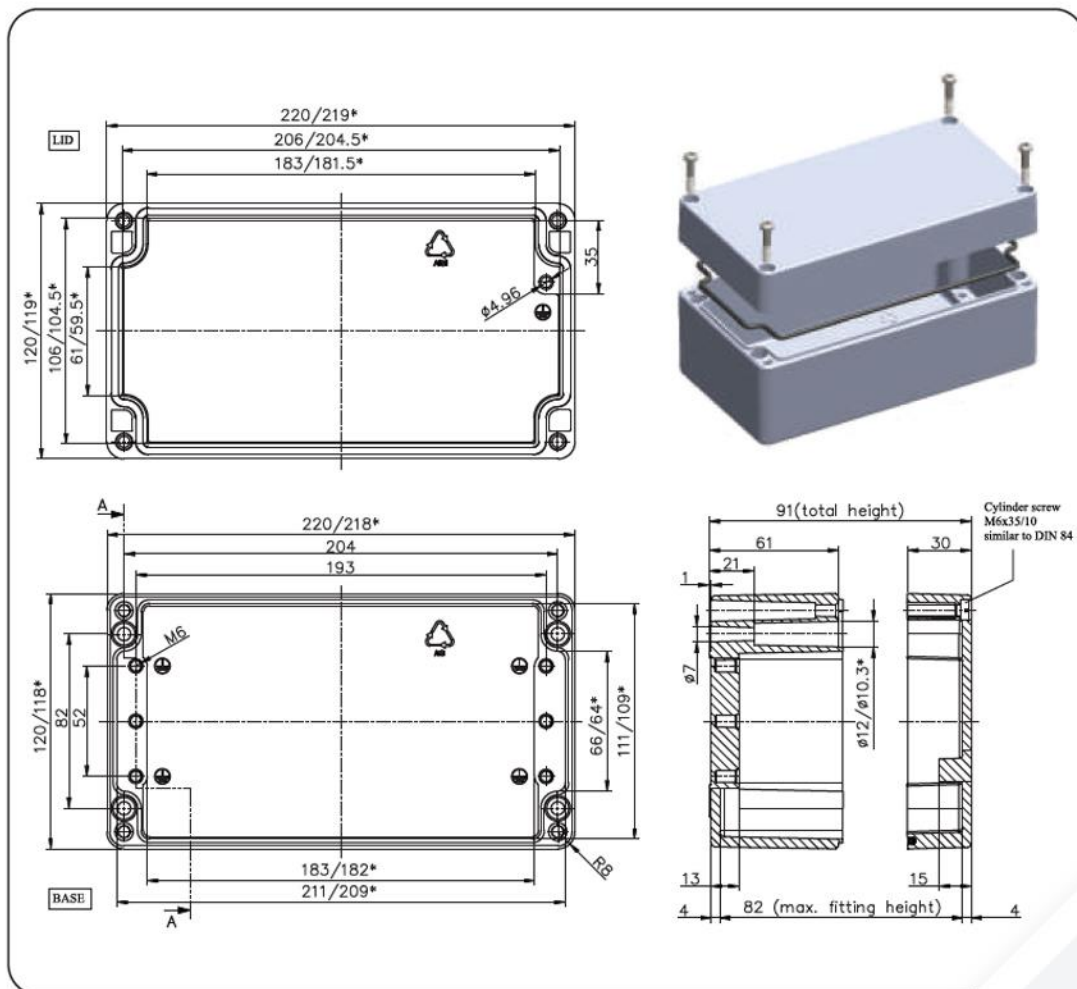
Following is available as empty enclosure.
Other codes on request.

Color of cover	Grey
Color of housing	Grey
Product code	AL 221208 14



Dimensions - 220x120x91

Note: All dimensions are in mm unless otherwise stated



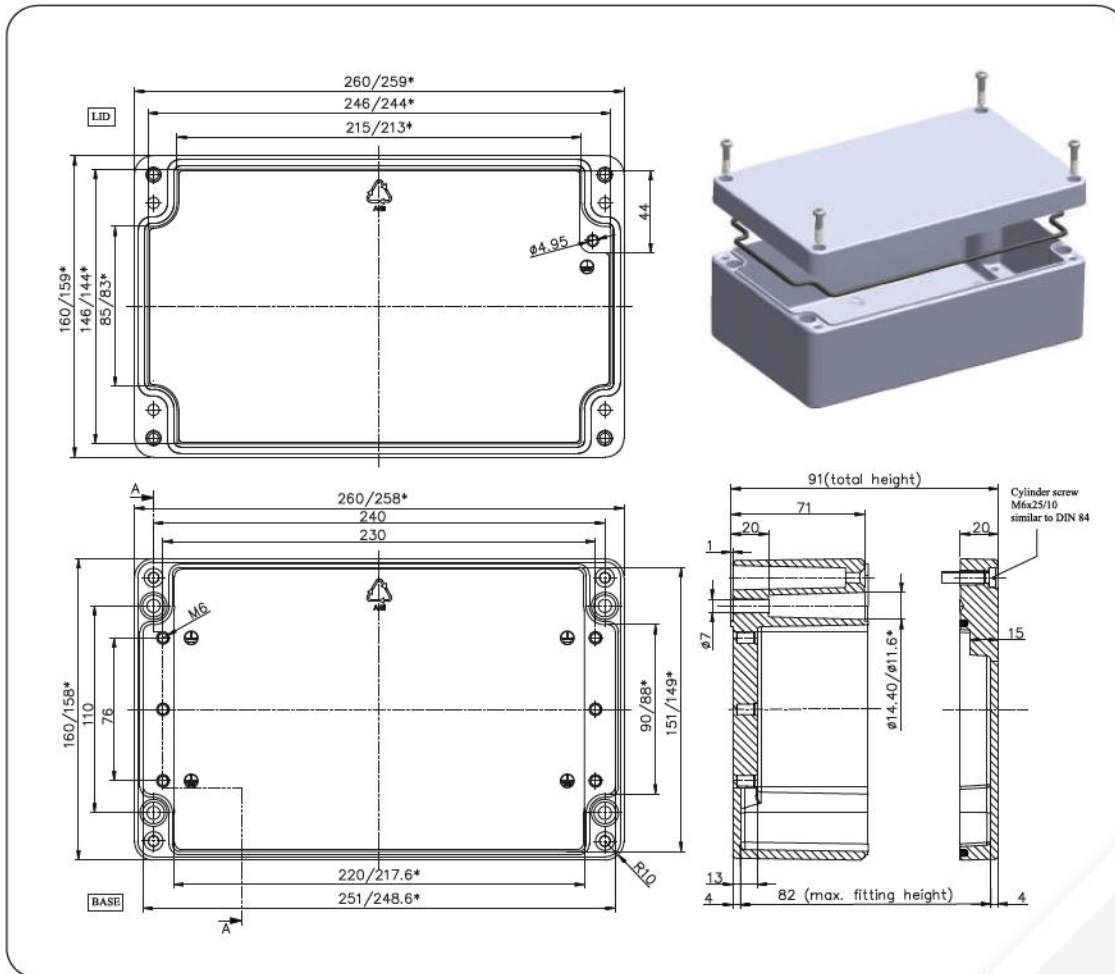
Following is available as empty enclosure. Other codes on request.

Color of cover	Grey
Color of housing	Grey
Product code	AL 221209 14



Dimensions - 260x160x91

Note: All dimensions are in mm unless otherwise stated



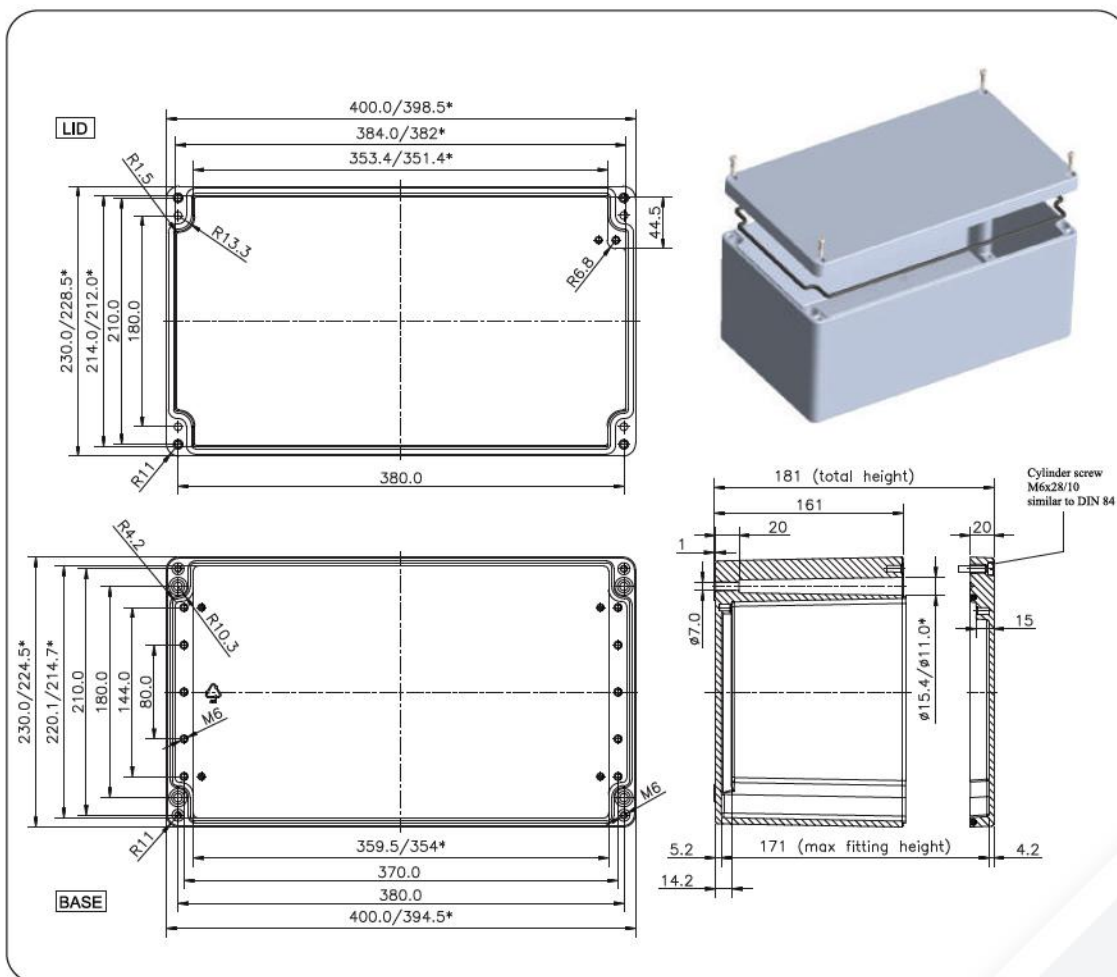
Following is available as empty enclosure.
Other codes on request.

Color of cover	Grey
Color of housing	Grey
Product code	AL 261609 14



Dimensions - 400x230x180

Note: All dimensions are in mm unless otherwise stated



Following is available as empty enclosure.
Other codes on request.

Color of cover	Grey
Color of housing	Grey
Product code	AL 402318 14



TEKNIC

M/s. Teknic Electric India PVT. LTD.
703, Madhava, Bandra Kurla Complex
Bandra (East), Mumbai – 400 051.

Tel: 91-22- 42532500 / 02

Email: teknic@teknic.co.in

www.teknic.co.in

